

DRINKING FOUNTAIN REPAIR

EQUIPARTS SUPPLIES ALL MAJOR BRANDS OF PARTS. FOR ASSISTANCE, PLEASE SUPPLY MODEL NUMBER & SERIAL NUMBER.

Thousands Of Parts In Stock!

Am. Standard • Bradley • Central • Cordley Crane • Ebco • Elkay • Haws • Halsey Taylor Kohler • Murdoch • Oasis • Sunroc • Western

UNIVERSAL BUBBLER



NO LEAD!

#05606
Bubbler Valve

#05606FLEX
As above,
with flex-guard

UNIVERSAL CARTRIDGE

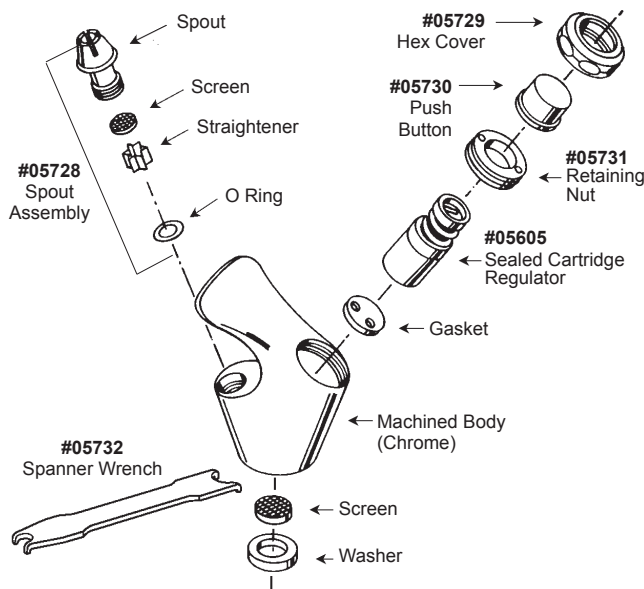


NO LEAD!

#05605

Stainless steel cartridge fits Elkay, Halsey Taylor, Cordley Hayes, Haws, Temprite, and Westinghouse Bubblers.

#05606 BUBBLER BREAKDOWN



RETRO BUBBLER UNIT



#05726

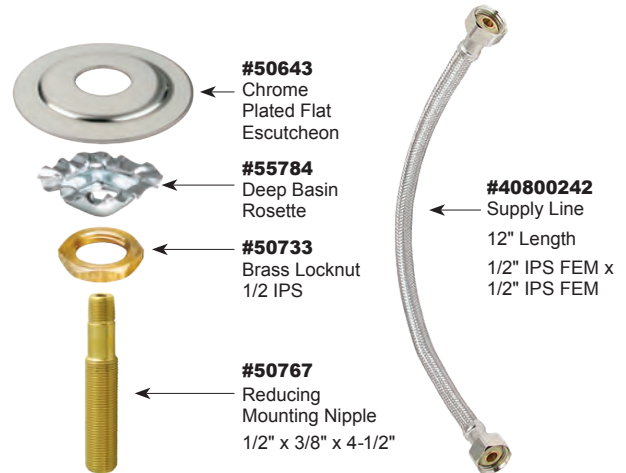
Converts old style handle fountains to simple push button bubbler. Includes all parts.

NO LEAD!

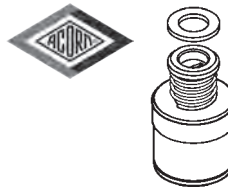
SIMPLIFY SERVICE
REDUCE STOCK
CUT COSTS
EQUIPARTS HAS IT!

RETRO BUBBLER MOUNTING KIT

#05726MT



VALVE CARTRIDGE WITH FOAM WASHER



#85150

Central Brass

BUBBLER CARTRIDGE REPAIR KIT



#51393

CENTRAL BRASS FOUNTAIN REPAIR

WALL MOUNTED CAST BRASS DRINKING FAUCET

Central Brass



#83449 (0366-L)

- 3/8-18 NPS female threads
- Self-closing lever handle
- Replaceable seat

SELF CLOSING FOUNTAIN VALVES

Central Brass



#55547 (0331-3/8)
3/8 IPS Female

#55553 (0331-1/2)
1/2 IPS Female

DECK MOUNTED CAST BRASS DRINKING FAUCET



#57894 (0365-L)

- 3/8-18 NPS female threads
- Self-closing lever handle
- Replaceable seat



#52620 (0331L-3/8)
3/8 IPS Female

#52621 (0331L-1/2)
1/2 IPS Female

CHROME PLATED CAST BRASS WALL MOUNTED DRINKING FOUNTAIN

Central Brass



#83450 (0366-HX)

- Brass brush finish
- Round bowl
- 3/8-18 NPS female threads with wall bracket
- Self-closing lever handle
- Replaceable seat
- PVD polished chrome finish

CHROME PLATED CAST BRASS PUSH BUTTON GRAVITY FAUCETS

Central Brass



#55019 (0425)
3/8-18 NPS Male



#83448 (0426)
3/8-18 NPS Female

CHICAGO BUBBLERS

DRINKING FOUNTAIN BUBBLER WITH PUSH HANDLE & METAL GUARD



#58714 (748-665ABCP)

- Single Hole
- 1-3/4" MVP metering push handle
- MVP metering cartridge
- Polished chrome
- Metal mouth guard

DRINKING FOUNTAIN BUBBLER WITH PUSH HANDLE & FLEXIBLE GUARD



#82079 (748-665FHABCP)

- Single Hole
- 1-3/4" MVP metering push handle
- MVP metering cartridge
- Polished chrome
- Antimicrobial flexible mouth guard

TALL BODY FOUNTAIN BUBBLER WITH PUSH HANDLE & METAL GUARD



#68507 (748-665TBABCP)

- Single Hole
- 1-3/4" MVP metering push handle
- MVP metering cartridge
- Polished chrome
- Metal mouth guard

DRINKING FOUNTAIN BUBBLER WITH LEVER HANDLE AND METAL GUARD



#80195 (748-244ABCP)

- Single Hole
- 2-3/8" lever handle
- Klo-Self™ self-closing cartridge, cam and cap design
- Polished chrome
- Metal mouth guard

DRINKING FOUNTAIN BUBBLER WITH LEVER HANDLE & FLEXIBLE GUARD



#40310026 (748-244FHABCP)

- Single Hole
- 2-3/8" lever handle
- Klo-Self™ self-closing cartridge, cam and cap design
- Polished chrome
- Antimicrobial flexible mouth guard

PUSH TAPERED METERING PUSH HANDLE



#58098

(665-PSHJKCP)

Comes with Red AND Blue Index

MVP ACTUATOR ASSEMBLY UPPER CARTRIDGE REPAIR KIT



#45744

(665-190KJKABNF)

For push handle bubbler

MVP ACTUATOR ASSEMBLY LOWER CARTRIDGE REPAIR KIT



#82723

(672-XJKABNF)

For push handle bubbler

BUBBLER NOZZLE



#82455

(653-008JKABCP)

For push handle and lever handle bubblers

LEVER HANDLE



#46147

(69-COLDJKCP)

SELF CLOSING CARTRIDGE EXPOSED



#45131

(826-XJKABNF)

- For lever handle bubbler
- Short stem for exposed caps
- 90-degree bi-directional turn



WATER BUBBLER

#50743 (56073C)
Chrome With Guard



LOCK NUT

#50744 (70012C)



PLASTIC CARTRIDGE

#56005 (61314C) w/Green Spring **#56005R** (61313C) w/Red Spring



BUBBLER REPAIR KIT

#05793 (92715C)



COMPRESSOR SERVICE KIT

#87080 (98535C)



RELAY

#SP8761 (35959C)



OVERLOAD SWITCH

#58846 (36158C)



COLD CONTROL

#56037 (31513C)



SOLENOID

#05901 (35981C)
Fits the Following Models:

- HTV Series
- EZTL
- LZTL
- EZ & LZ Barrier-Free



SOLENOID VALVE

#80923 (36247C)
New Style - Without cartridge

#84663 (98466C)
With cartridge



REGULATOR NUT

#82679 (56082C)



PLASTIC FOUNTAIN CARTRIDGE FOR SOLENOID

#82678 (66654C)



INFRARED SENSOR KIT FOR BOTTLE FILLER

#84692 (98544C)



ELECTRICAL PACKAGE FOR BOTTLE FILLER

#86361 (98543C)



SOLENOID VALVE KIT FOR BOTTLE FILLER

#84773 (98545C)



NOZZLE KIT FOR BOTTLE FILLER

#66313 (98546C)

SOLENOID VALVE & REGULATOR ASSEMBLY KIT



#12801
(1000004572)

REGULATOR HOLDERS & NUTS



#54531 (50986C)

#54961 (15005C)
Nut for Regulator Holder #54531
Coarse and Fine Thread

PUSH BUTTON ASSEMBLY



#83743
(98536C)

REGULATOR HOLDERS & NUTS



#50895 (50985C)
Uses nut #05731

#05731 (029970-001)
Nut for Regulator Holder #50895
Fine Thread

REGULATOR & HOUSING KIT



#87081 (98732C)
For Cooler With
Push Bar

PUSH BUTTON FOR BUBBLER



#05730 (40048C)

REGULATOR & HOUSING KIT



#86463 (98731C)
For Cooler With
Push Button

CHROME HEX COVER NUT



#05729 (40089C)

CHROME HEX NUT



#56024 (40169C)
For Regulator Housing

BRASS HEX NUT



#54289 (40045C)
For Regulator Housing

REGULATOR & HOUSING KIT



#87082 (98733C)

Not Common for Outdoor Units

ELECTRICAL SWITCH



#40700081 (98869C)

REGULATOR KIT WITH HOLDER AND NUT



#69580 (100001913)
Green Spring Cartridge for
Coolers without Solenoids
EZ/HTV Series prior to 2008

#12807 (1000004564)
Cartridge for Coolers with Solenoids
EZ/HTV Series after 2008

FOUNTAIN IN-LINE STRAINER



#56010 (55996C)
1/4 x 3/8

ELKAY REPAIR

ELKAY®



**SIDE PUSH BAR
GREY**

#81331 (56002C)

ELKAY FRONT PUSH BAR



#05966 (55999C)

Used on models
EZ and EZF

PUSH BAR KIT



#87083
(98734C)

FOUNTAIN FRONT PUSH BAR



#56055 (51559C)
Grey

**UPPER SHROUD WITH
FRONT AND SIDE PUSH BARS**

#05976 (56229C)



**FOUNTAIN STRAINER
& FERRULE**

#SP9352 (45336C)



**FOUNTAIN
TAILPIECE GASKET**

#SP9353 (50074C)



DRAIN ASSEMBLY

#59851 (LK464)

Used on models
ER, ERH and HRF



FOUNTAIN BLOCK PIVOT

#56021 (51531C)



**PLASTIC FOUNTAIN
PIVOT DRIVE PIN**

#56023 (50212C)

PUSH BAR SERVICE KIT



#84947
(98537C)

PUSH BAR SPRING

#40700080 (75621C)

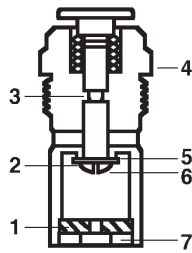
Fits HTV Series Barrier-Free Water Coolers



HALSEY TAYLOR FOUNTAIN REPAIR

PUSH BUTTON ASSEMBLY

#50972
(600824051640)



ITEM	PART#	DESCRIPTION
1	#40700057	Sleeve washer
2	#40700058	Retaining cup
3	#40700059	O-ring
4	#40700064	Gasket
5	#40700065	Seat washer
6	#40700066	Seat washer screw
7	#40700067	Sleeve seat washer

CHROME PLATED BRASS DRINKING FOUNTAINS WITH LEVER HANDLES



#05675
(74025076000)



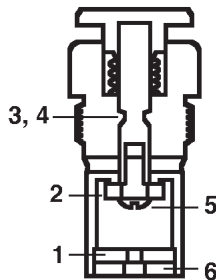
#05676
(74025096000)

LEVER HANDLE ONLY



#05668
(600116618640)

PUSH BUTTON ASSEMBLY



Unit No Longer Available
Replaced By **#50834**
See Page 192



#50835 (92445C)
Repair Kit

ITEM	PART#	DESCRIPTION
1	#40700057	Sleeve washer
2	#40700058	Retaining cup
3	#40700059	O-ring
4	#40700073	Push button stem
5	#40700066	Seat washer screw
6	#40700067	Sleeve seat washer

BUBBLERS

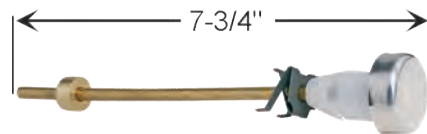


#05683
(160316508640)
Brass



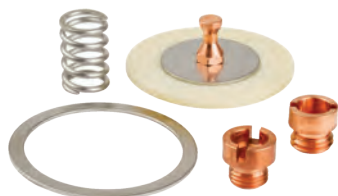
#87315
(98533C)
Bubbler Kit

PUSH BUTTON STEM ASSEMBLY



#56001 (600755351590)
Complete Assembly

REGULATOR DIAPHRAGM REPAIR KIT



#05655 (600805051550)

#68641 (100118740560)
Diaphragm Only

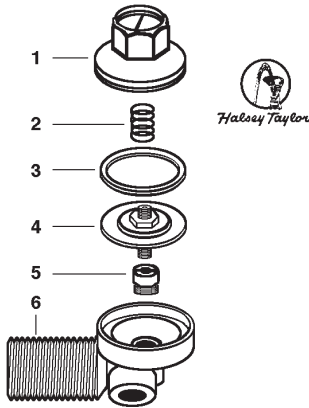
PUSH BUTTON STEM ASSEMBLY



#54002 (601451151550)
Complete Assembly

HALSEY TAYLOR FOUNTAIN REPAIR

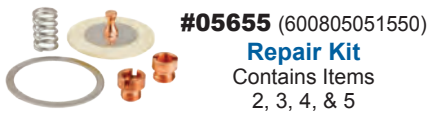
VALVE ASSEMBLY



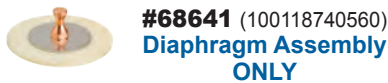
#40700115 (601424051550)
Complete Left Hand Body Assembly
Items 1-6

#40700116 (601454951550)
Complete Right Hand Body Assembly
Items 1-6

ITEM	DESCRIPTION
1	Front Cap Assembly
2	Spring
3	Thrust Ring
4	Diaphragm Assembly
5	Regulator Bushing
6	Left or Right Hand Valve Body

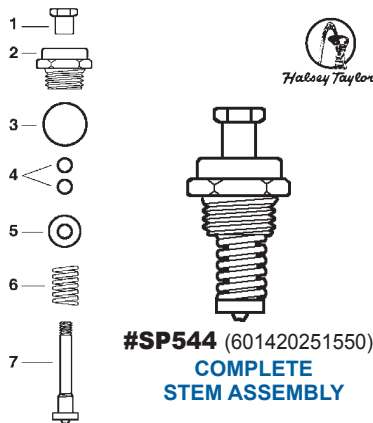


#05655 (600805051550)
Repair Kit
Contains Items
2, 3, 4, & 5



#68641 (100118740560)
Diaphragm Assembly ONLY

VALVE STEM ASSEMBLY



#SP544 (601420251550)
COMPLETE STEM ASSEMBLY

ITEM	DESCRIPTION
1	Bushing
2	Seal Cap
3	Large O-Ring
4	Small O-Ring
5	Washer
6	Valve Spring
7	Valve Stem Assembly



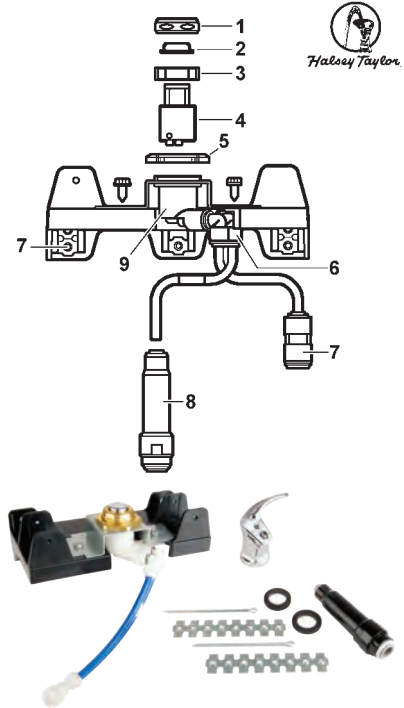
#05656 (600825051550)
Stem Repair Kit
Contains 4, 5, 6 Plus Seat Washer Screw,
Seat Washer, Brass Seat, Spring,
Locknut, And Gasket.



#56003 (160645108640)
Seat Only

HALSEY TAYLOR MODEL BFC CONVERSION ASSEMBLY

#50834 (92776C)



1	#05729	Nut Cover
2	#05730	Button
3	#54961	Nut for Regulator Holder
4	#05605	No-Lead Fountain Cartridge
5	#54289	Nut - Hex
6	#53060	Elbow 1/4" x 1/4"
7	#81749	Waterline Union 3/8" x 1/4"
8	#56010	In-Line Strainer
9	#54531	Regulator Holder

UNIVERSAL COLD WATER LINE

#05767 (101422431550)
Projector Nipple

#05741 (601480151550)
Complete Assembly
Water Flow Direction (Shown)

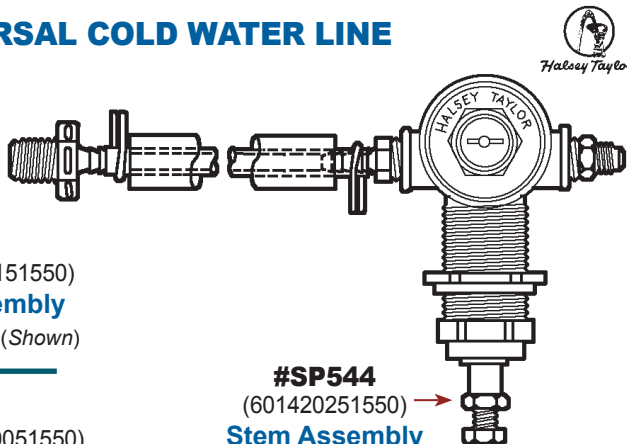


#SP2440 (601480051550)
Complete Assembly
Water Flow Direction (Not Shown)



#SP544 (601420251550)
Stem Assembly

#05656 (600825051550)
Repair Kit for Stem Assembly



Got Technical Questions About Your Drinking Fountains?

Call Equiparts!

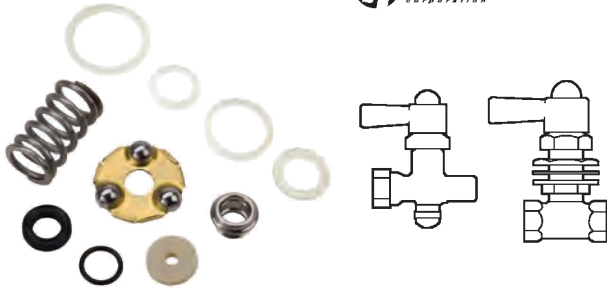
Our Product Specialists Are Here To Help You!

800-442-6622



HAWS FOUNTAIN REPAIR

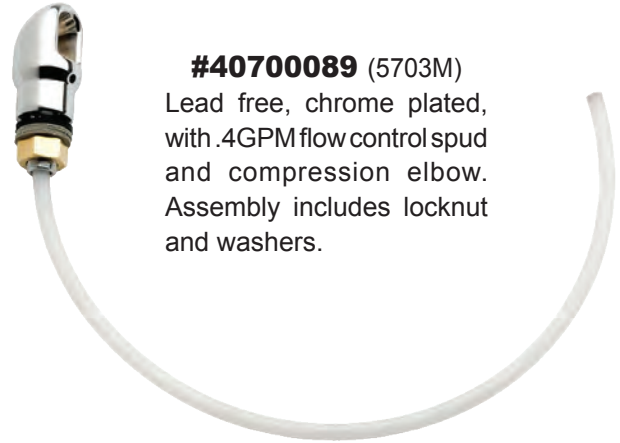
HAWS MODEL 5800 (OBSOLETE) & 5850 (OBSOLETE) VALVE



#40700087 (5800VRKT)
Bubbler Valve Repair Kit
for Old Style Units

Available parts include only what is shown.

HAWS 5703M BUBBLER HEAD

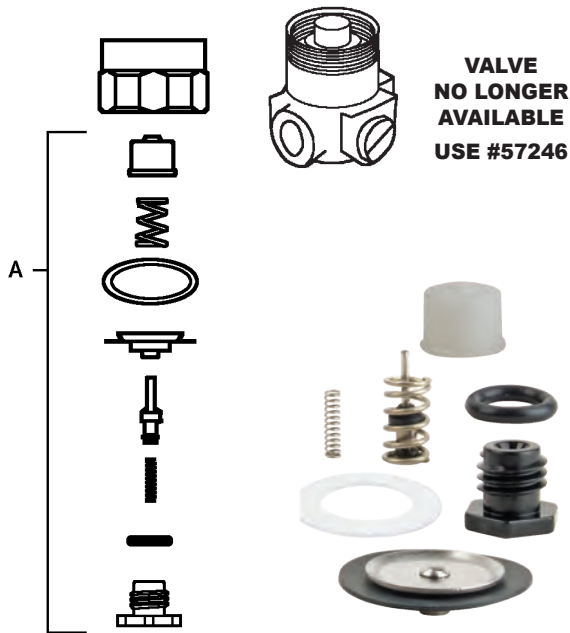


#40700089 (5703M)

Lead free, chrome plated, with .4GPM flow control spud and compression elbow. Assembly includes locknut and washers.



HAWS VALVE REPAIR



VALVE
NO LONGER
AVAILABLE
USE #57246

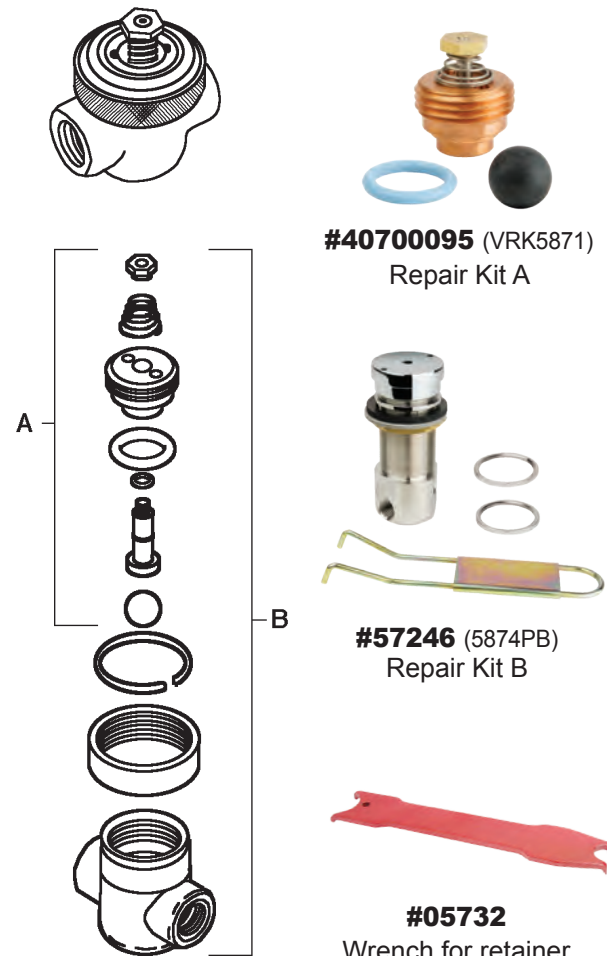
#40700093 (VRK5872)
Repair Kit A



#57246 (5874PB)
Recessed Push Button
w/ Valve



HAWS VALVE REPAIR



#40700095 (VRK5871)
Repair Kit A



#57246 (5874PB)
Repair Kit B



#05732
Wrench for retainer
nut removal

HAWS/MURDOCK FOUNTAIN REPAIR

PUSH BUTTONS - RECESSED



#57246 (5874PB)

Polished chrome plated flanged push button with valve for use on fountains with recessed push buttons.



#40700106 (PBA7)

Polished chrome plated recessed push button only.

PUSH BUTTONS - FLUSH MOUNTED



#57245 (5874PBF)

Polished chrome plated flanged push button with valve. For use on fountains with flush mount push buttons.



#40700108 (PBA6)

Polished chrome plated flanged push button only.

MURDOCK/ACORN PARTS



Valve Assembly With Cartridge And Strainer



#89970

(7003-095-001)

Valve Cartridge



#85164

(7000-060-000)

Strainer Filter Screen



#88858

(7003-864-000)

Universal Maintenance Tool



#46990

(7003-864-000)



MURDOCK/ACORN LOW FLOW FLEXIBLE BUBBLER ASSEMBLY



#46991

(7000-099-002)

MURDOCK/ACORN PUSH BUTTON



#46992

(7003-009-000)

OASIS FOUNTAIN REPAIR



BUBBLERS



#05624 (030774-016)
C.P. Brass
Water Bubbler
(DIAL-A-DRINK BUBBLER)



#05624PL (030774-006)
Water Bubbler with
Plastic Cover and Flex Guard
(DIAL-A-DRINK BUBBLER)



#55418 (030774-017)
C.P. Brass
Water Bubbler
(CONTINUOUS BUBBLER)



#56065 (030774-008)
Water Bubbler
with Plastic Cover



#50593 (026316-007)
Flexible Bubbler Cover
with Hole



#05613 (023389-001)
Chrome Bubbler Cover
with Hole



#55704
(032799-005)
Bubbler with
Built-In Regulator
w/Flexible Guard
For P8AM



#05928
(035607-108)
Non-Regulated
Bubbler for
P8AC



#57248
(032889-001)
VP Bubbler
Chrome Plated
Brass

#83375
(031760-005)
Bubbler
Less Regulator
w/Flexible Guard
For P8AC



#05611
(023401)
KNOB
Used On
#05624 Bubbler



#SP3094
(031765-001)
**WHEEL ARM
ASSEMBLY**
For P8AM



#57997
(029967-005)
**OEM FOUNTAIN
CARTRIDGE**
For P8AC



#05615 (013059-005)
**SERVICE
STEM UNIT**
Used In #05624
Bubbler and P8AM
Water Coolers



#53710
(026824-019)
HEX NUT
For #55704 &
#83375



#51831
(030029-005-SP)
**NOZZLE &
REGULATOR ASSY.**
Uses 5/64 Hex Key
for Adjustment
For P8AM



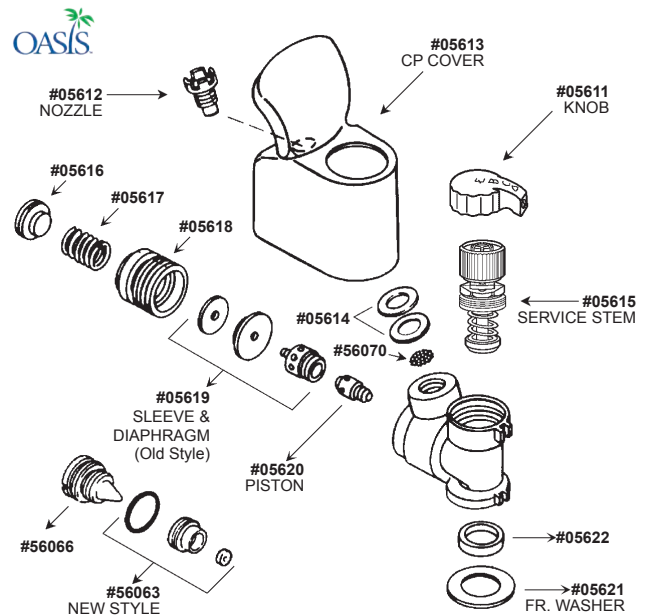
#05857 (032046-001)
VALVE & BODY ASSEMBLY
For P8AM



#54133 (032045-002)
BRASS VALVE BODY
For P8AM
#54133NP (032045N-002)
NICKEL PLATED VALVE BODY
For P8AM

OASIS/EBCO DIAL-A-DRINK BUBBLER

BREAKDOWN OF # 05624



OASIS-SUNROC FOUNTAIN REPAIR

SOLENOIDS



#81212
(029819-001)



#81193
(029819-002)

*Many other types in stock.
Call with model number for further assistance.*

USED IN F110PM AND F140PM UNITS



#59581 (030322-001)
Chrome Fountain Bezel

#59961 (020203)
Bezel Retainer Nut (3 required)

#56026 (024817)
Chrome Button for Water Cooler

SWITCH FOR WATER COOLER



#56027 (024764)
Used in PLF8SKPE
and PLF8SKTP Units



USED IN F140PM, F110PM, PLF8SKPE AND PLF8SKTP UNITS



#56025 (024816)
Chrome Fountain Bezel

#59961 (020203)
Bezel Nut (3 required)

#56026 (024817)
Chrome Button for Water Cooler

COLD CONTROLS



#05912 (027040-039)
Used in P8AC Units



#55462 (027040-007)
Used in P8AM Units

PUSH BUTTON FOR BUBBLER



#05730 (40048C)
Used in FL40R-301 and
PV8AC units

CHROME HEX COVER NUT



#05729 (40089C)
Used in FL40R-301 and
PV8AC units

FOUNTAIN OVERLOAD



#84791 (031697-001)
Used on Series HCWC
and NWCA Units

PUSHBAR



#54177 (D03595618)
Gray Center Fountain Pushbar
Used in NWCA and HCWC Units

PUSH PADS USED IN NWCA AND HCWC UNITS



#05765 (C026315-05)
LH Gray Push Pad



#05766 (C026315-04)
RH Gray Push Pad

LEFT SIDE BEZEL CLOSED



#54243 (026886-003)
Used in PLF8WMD Units

OASIS-SUNROC FOUNTAIN REPAIR



OASIS/EBCO FOUNTAIN WASTE GASKETS

Must provide model of unit when ordering



#05746 (027205)



#53473 (027614-001)



#05778 (019131)



#59198NS (031756-002)



#SP528 (018050)

INSULATED WASTE ASSEMBLY



#54455 (036011-008)
Used in PLF3CP, PLF5CP,
PLF10CP Units



WASTE ASSEMBLY



#59655
(026981)

INLET TUBES



#53475 (029519-001)
Short Inlet Tube and
Regulator Assembly
Used in FLF110R Units



#54064 (029519-002)
Long Inlet Tube and
Regulator Assembly
Used in FLF140R Units



IN-LINE STRAINER



#57248 (032889-001)
Strainer

STRAINER ASSEMBLY



#56973 (036986-001)
Replaces A020938
'Y' Strainer



WATER CONTROL ASSEMBLY



#58684 (10947-003-SP)
Used on Many
Sunroc Coolers

INCLUDES: Regulator,
Regulator Housing, Nut,
Copper Lines, and Screws.



USED IN UNITS CCLPM AND CCL UNITS



#SP5791 (200036-10)
Drip Tray
Granite Color



GLASS FILLERS



#SP381 (029603-004)
Push Handle Glass Filler
3/8 IPS
Replaces #029603-005 Push Back Glass
Filler & #029603-006 Push Down Glass Filler

