



Halsey Taylor
Satisfying Thirsts Since 1912

Triple-Bowl Endura II™ Tubular Pedestal

Barrier-Free Fountain



MODEL 4430



This fountain is certified to NSF/ANSI 61.

GENERAL

Pedestal, Endura II™ Steel fountain with textured powder-coat finish and E-coat immersion for year-round beauty with minimum maintenance. The E-coat immersion process coats the outside and inside of the fountain for the ultimate in corrosion protection. Contour-formed stainless steel tri-level basins with rounded corners and edges reduce splatter, insure proper drainage and prevent standing waste water. Designed to be easily accessible to both physically challenged and able-bodied adults and children. Ideally suited for installation in public areas. Model meets state and federal requirements as defined by the Americans with Disabilities Act.

BUBBLER

Vandal-resistant bubbler is one-piece, chrome-plated. Unit has integral hood guard design to prevent contamination from other users, airborne deposits and tampering.

PUSHBUTTON ACTUATION MECHANISM

Self closing, vandal-resistant pushbutton does not require grasping or twisting.

AUTOMATIC STREAM HEIGHT REGULATOR

Self-closing assembly is located inside unit to prevent tampering. Unit resists corrosion and liming. A constant stream height is automatically maintained under line pressures that vary from 20 to 105 psi.

INLET STRAINER

Easily cleaned in-line strainer screen traps particles of 140 microns or larger before they enter the waterway.

WATER INLET

3/8" O.D. Tubing

DRAIN OUTLET

1-1/2" tube outlet for 1-1/2" slip joint connection.

ACCESS PANEL

Manufactured of heavy-gauge steel with vandal-resistant screws. Provides access for easy hook-up of all plumbing connections.

SUGGESTED SPECIFICATIONS

Fountain shall include pushbuttons on the front and sides. Shall include contour-formed basins to eliminate splashing and standing water, and shall have rounded corners and edges. Projectors shall be chrome-plated vandal-resistant type with integral hood guard and anti-squirt feature. Fountain shall comply with ANSI 117:1 and ADA for visual and motion disabilities. The manufacturer shall certify the unit to meet the requirements of NSF/ANSI 61, and the Safe Drinking Water Act.

Note: Continued product improvement makes specifications subject to change without notice. See Halsey Taylor website for most current spec sheet.

Standard Finish is Evergreen textured powder-coat Endura II™

Each 4430 consists of 1 carton of the following:

Fountain

Trap and service stop not included.

Shipping weight: 230 lbs.

JOB NAME: _____

 ENGINEER/CONTRACTOR NAME:

 APPROVAL: _____
 DATE: _____

TMS EQUIPARTS
NORTHEAST

TOLL FREE: 800-442-6622
 PITTSBURGH: 412-781-9100
www.equiparts.net
 That Hard to Find Part is Right Here !



4430

Barrier-Free Endura II™ Tubular Pedestal Fountain with Three Receptors

(CONTINUED)

MOUNTING INSTRUCTIONS and PLUMBING CONNECTIONS

Provide solid, well-drained surface to mount pedestal fountain (concrete pad recommended.) (6) 1/2" anchor bolts (not included) should be attached firmly to mounting surface in order to secure fountain. (Refer to rough-in diagram.)

Locate and install plumbing through ground as required. NOTE: Fountain is not furnished with service valve.

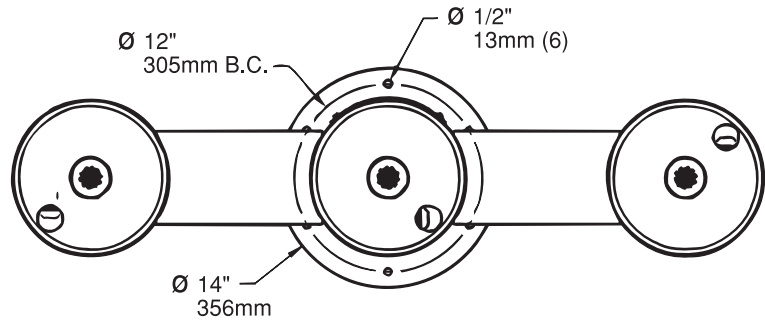
Position pedestal over plumbing and secure base to anchor bolts. Remove access panels and connect supply and water lines. Turn on water supply and check for leaks. Reassemble access panels to pedestal.

Trap and service stop not included.

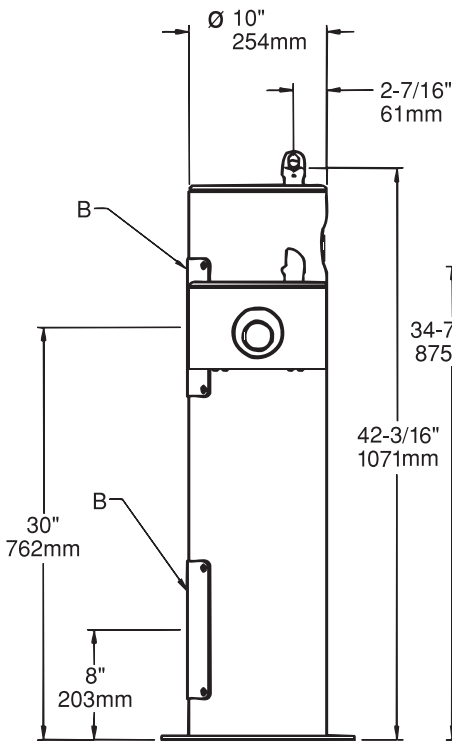
OPERATING PRESSURES:

Supply water - 105 psi maximum

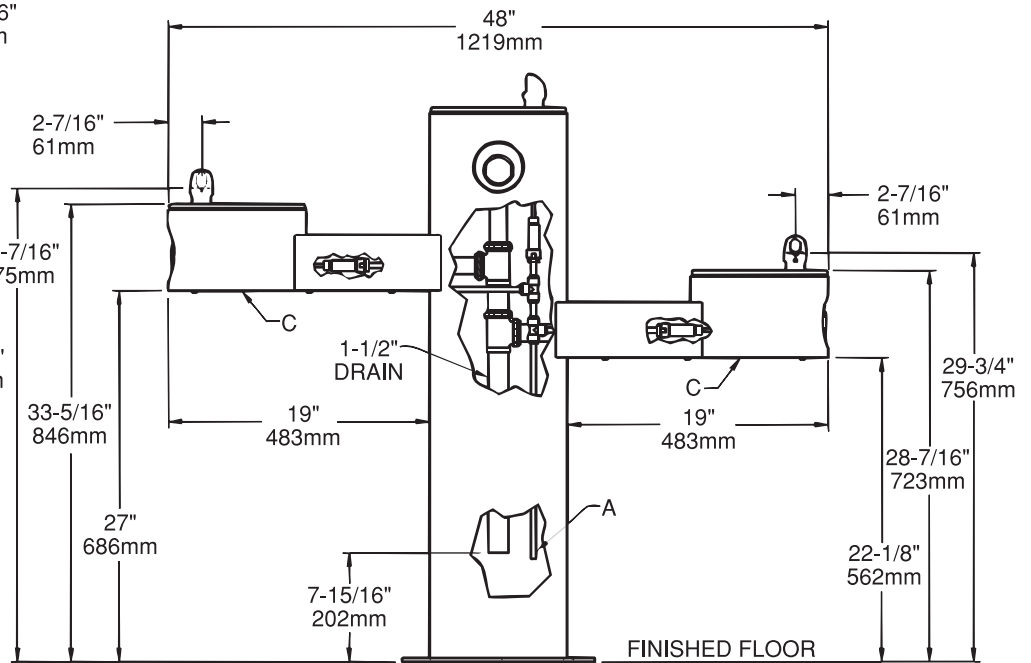
TOP VIEW



BACK VIEW



SIDE VIEW



LEGEND:

A = 3/8" O.D. UNPLATED COPPER TUBE CONNECT - SHUT OFF VALVE BY OTHERS

B = ACCESS PANEL (8" x 10")

C = REMOVABLE BOTTOM COVER

*ADA Requirement

Halsey Taylor®