

# ELKAY<sup>®</sup> SPECIFICATIONS

## MODEL LK4405

### GENERAL

Steel Outdoor Wall Mount Fountain with rounded corner design, heavy-duty steel with textured powder-coat finish and E-Coat immersion for year-round beauty with minimum maintenance. The E-Coat immersion process coats the inside and outside for the ultimate in corrosion protection.

### BUBBLER

Vandal-resistant bubbler is one-piece, heavy-duty construction. Unit has integral hood guard design to prevent contamination from other users, airborne deposits and tampering.

### BASIN

Contour-formed stainless steel design with rounded edges reduces splatter, ensures proper drainage and prevents standing water.

### PUSHBUTTON ACTUATION MECHANISM

Self-closing, vandal-resistant pushbutton does not require grasping or twisting.

### INLET STRAINER

Easily cleaned in-line strainer screen traps particles of 140 microns or larger before they enter the waterway.

### WATER INLET & DRAIN OUTLET

Inlet: 3/8" O.D. Tubing


Outlet: 1-1/4" tube outlet for 1-1/4" slip joint connection

### ACCESS PANELS

Heavy-gauge steel with vandal-resistant screws. Provides access for easy hook-up of all plumbing connections.

### SUGGESTED SPECIFICATIONS

Unit shall include powder-coated finish with vandal-resistant pushbutton actuation, vandal-resistant bubbler with integral hood guard, and contour-formed rounded basin to reduce splash and prevent standing water. Fountain shall comply with ANSI 117:1 and ADA for visual and motion disabilities. The manufacturer shall certify the unit to meet the requirements of NSF/ANSI 61, and the Safe Drinking Water Act.

Model	Color Option	 C USA	
		ADA Compliant	NSF/ANSI 61 Certified
LK4405*	(Refer to Finish Color Options)	•	•

\* Select color option to complete model number. Example: LK4405EVG

*This specification describes an Elkay product with design, quality and functional benefits to the user. When making a comparison of other producer's offerings, be certain these features are not overlooked.*

*In keeping with our policy of continuing product improvement, Elkay reserves the right to change specification without notice. Please visit [elkay.com](http://elkay.com) for the most current version.*

## Outdoor Tubular Fountain

### Wall Mount Fountain



Model LK4405 is shown.

Now Available  
in 12 Colors!



**FINISH COLOR OPTIONS** – Choose color option to complete your model number, add as suffix example: LK4405EVG

Matte finish:  Evergreen = EVG

Gloss finish:

- |                                      |                                       |   |
|--------------------------------------|---------------------------------------|---|
| <input type="checkbox"/> Beige = BGE | <input type="checkbox"/> Gray = GRY   | <input type="checkbox"/> Terracotta = TER |
| <input type="checkbox"/> Black = BLK | <input type="checkbox"/> Orange = ORN | <input type="checkbox"/> White = WHT      |
| <input type="checkbox"/> Blue = BLU  | <input type="checkbox"/> Purple = PUR | <input type="checkbox"/> Yellow = YLW     |
| <input type="checkbox"/> Brown = BRN | <input type="checkbox"/> Red = RED    |   |



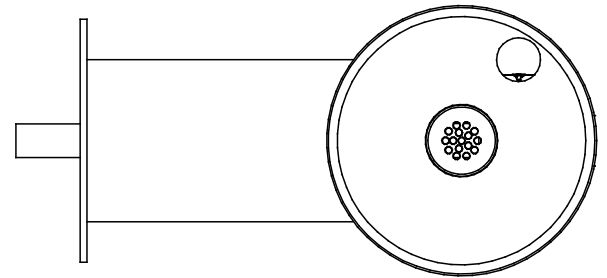
**TOLL FREE: 800-442-6622**  
**PITTSBURGH: 412-781-9100**  
[www.equiparts.net](http://www.equiparts.net)  
**That Hard to Find Part is Right Here!**

# MODEL LK4405

## Outdoor Tubular Wall Mount Fountain

**OPERATING PRESSURES:**  
Supply water 20 – 105 psi maximum

### TOP VIEW



#### MOUNTING INSTRUCTIONS and PLUMBING CONNECTIONS

Refer to diagrams for plumbing rough-in. This fountain is to be mounted on a smooth, flat finished wall surface with adequate support.

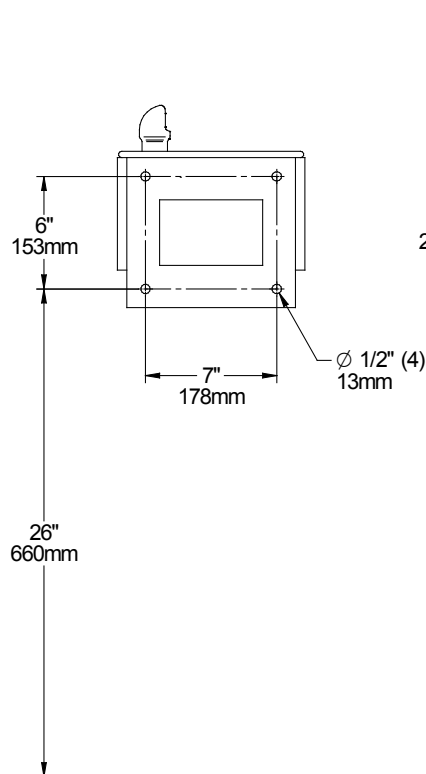
**Note:** Wall mounting structure must be capable of supporting a 300 lb. load minimum on fountain. To secure unit, use 3/8" minimum fasteners (not provided). Water service line and waste line are to be assembled as required. Final check for leaks and correct functions of fountain should be made. (For details see the installation instructions.)

**Installation requires trap to be installed in wall. A service supply stop must be installed at the fountain inlet line. Trap and service stop not included.**

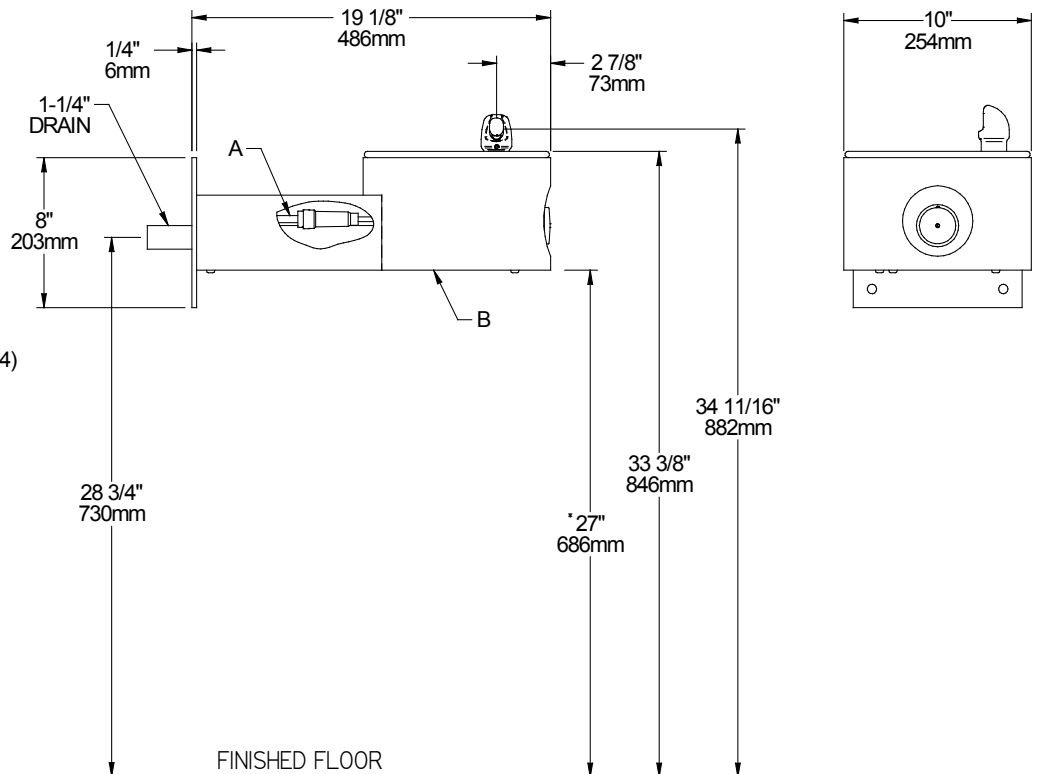
**Caution – Fountain must be securely bolted to wall.**

**NOTE:** For wall support required locations see installation instructions provided with fountain.

### BACK VIEW



### SIDE & FRONT VIEWS



\* ADA Requirement

A = 3/8" O.D. UNPLATED COPPER TUBE CONNECT  
SHUT OFF VALVE BY OTHERS  
B = REMOVABLE BOTTOM COVER