



Illustrated Parts Breakdown

Models: **F140R-302**



DESCRIPTION

Non-refrigerated drinking fountain designed for use with packaged water chillers or for direct connection to cold water supply.

SPECIFICATIONS

Net weight approximately 19 lbs

OASIS International

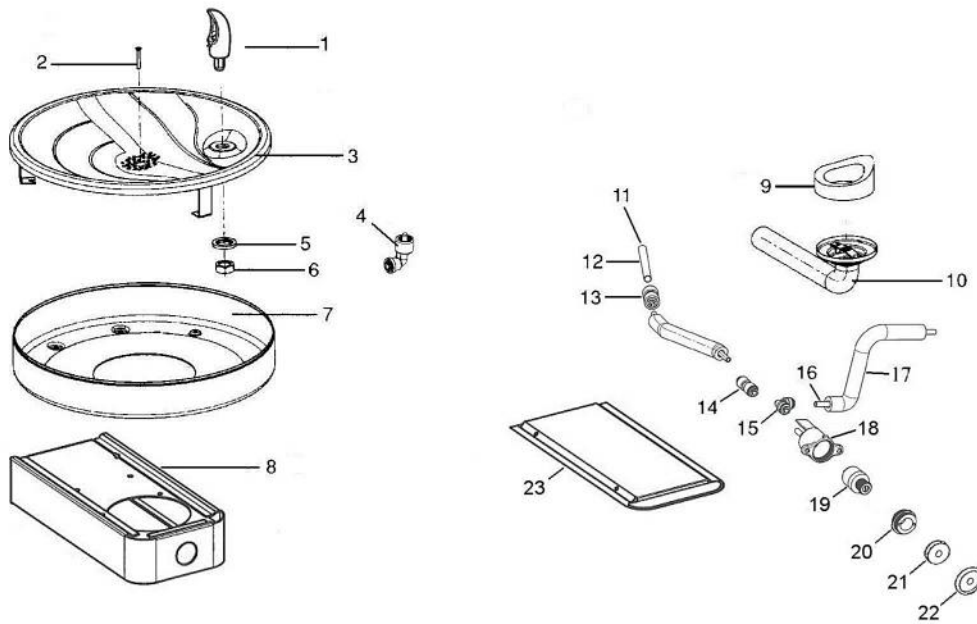
222 East Campus View Blvd - Columbus, OH 43235

614/861-1350 - Fax. 614/322-4557

www.oasiscoolers.com

OASIS is a registered trademark of LVD Acquisition, LLC dba OASIS International

© 2017 LVD Acquisition, LLC



Item# Description

F140R

1	Bubbler Valve.....	035607-108
2	Drain Screw.....	036049-002
3	Fountain Top Assy	033722P001
4	Bubbler Nut W/JG	036026-001
5	Washer, Under Top.....	028706-030
6	Nut	026824-019
7	Bottom, Bowl	027616-005
8	Fountain Arm.....	033606-118
9	Waste Gasket	027614-002
10	Waste Assembly	036011-006
11	Strainer, In-Line.....	033264-003
12	Tube, Straight	026794-014
13	FTG, JG. Reducing Union	028668-101
14	FTG, PP Union 1/4" OD.....	028605-101
15	FTG, PP Union Elbow WHI	028481-101
16	Tubing, PE 1/4" OD White.....	029959-006
17	Insulation, Sponge Tubing	028485-001
18	Holder, Cartridge	035990-001
19	Cartridge	029967-005
20	Nut, Retaining, Plastic.....	A020957
21	Button, Plug	038678-001
22	Button, Push, AMC.....	038636-001
23	Bottom Plate.....	033723-003

Not Shown:

Gasket, Wall To Arm Reveal.....	027623-001
Plate, Wall MTG	027526-001



Illustrated Parts Breakdown

Models: F140R-301 & DF-2601



DESCRIPTION

Non-refrigerated drinking fountain designed for use with packaged water chillers or for direct connection to cold water supply.

SPECIFICATIONS

Net weight approximately 19 lbs

OASIS International

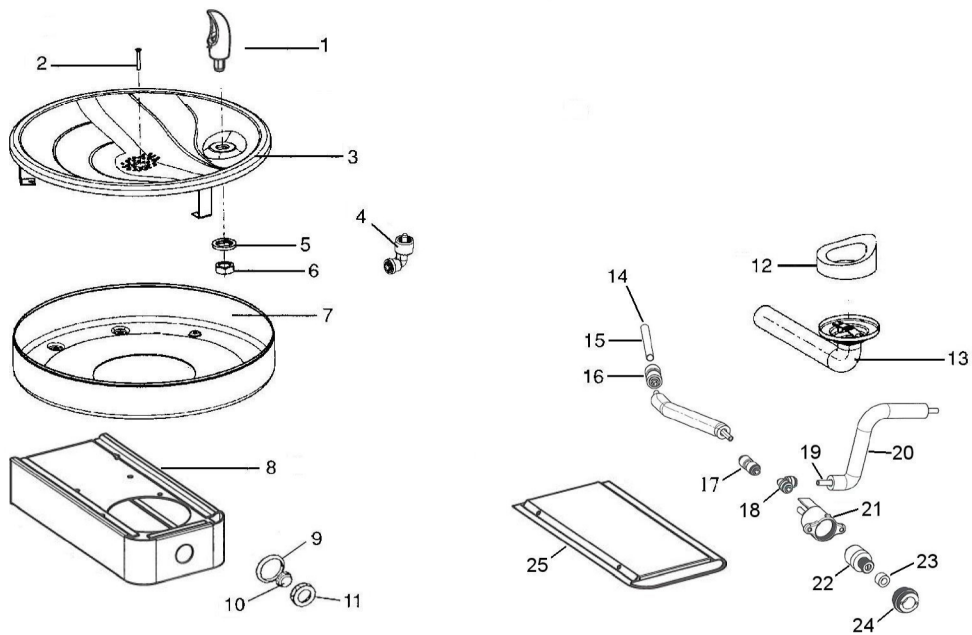
222 East Campus View Blvd - Columbus, OH 43235

614/861-1350 - Fax. 614/322-4557

www.oasiscoolers.com

OASIS is a registered trademark of LVD Acquisition, LLC dba OASIS International

© 2016 LVD Acquisition, LLC



Item# Description

F140R & DF-2601

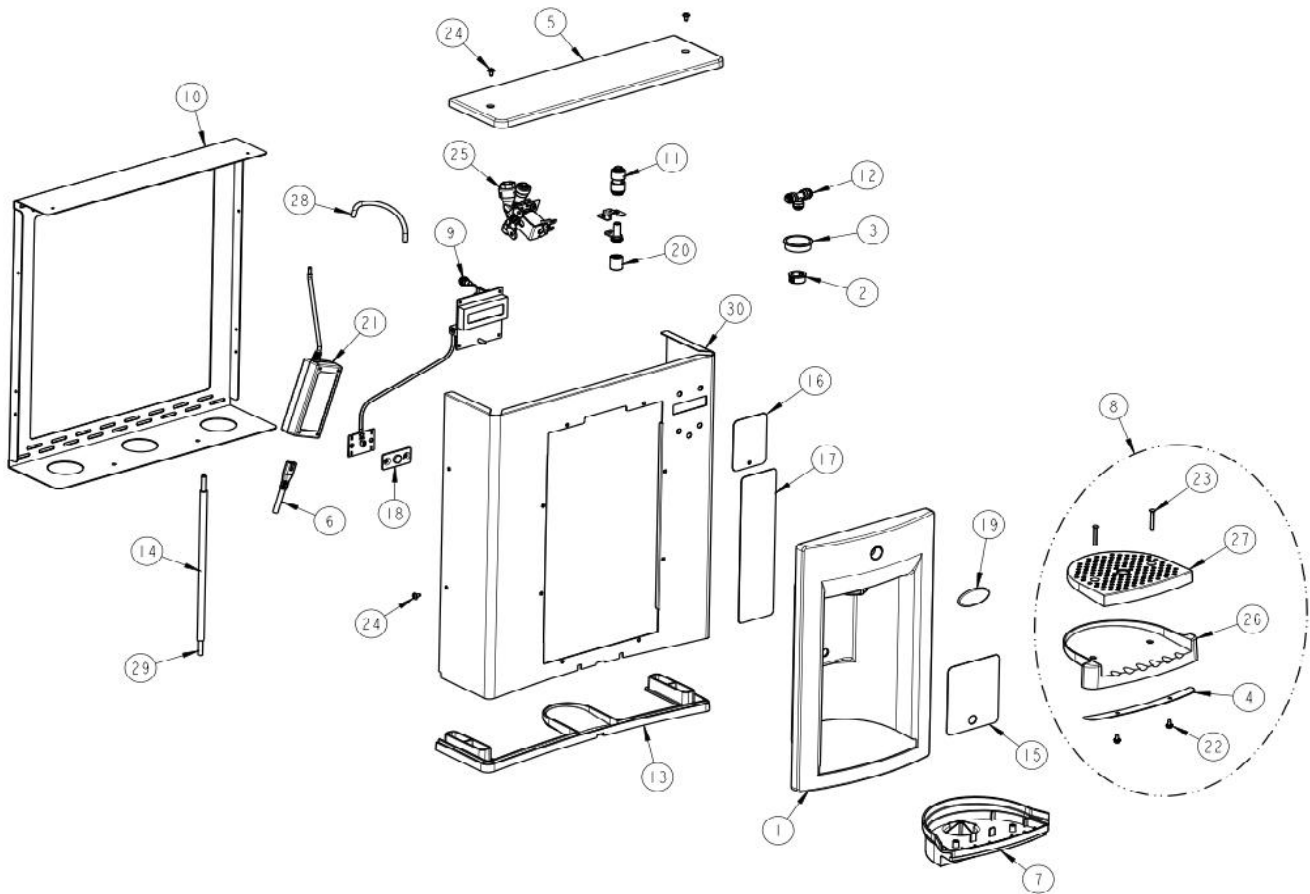
1	Bubbler Valve.....	035607-108
2	Drain Screw.....	036049-002
3	Fountain Top Assy	033722P001
4	Bubbler Nut W/JG	036026-001
5	Washer, Under Top.....	028706-030
6	Nut	026824-019
7	Bottom, Bowl	027616-005
8	Fountain Arm.....	033606-102
9	Nut-Ring, Cartridge Holder	029969-001
10	Button, Push.....	024779
11	Nut, Hex Cover	024778
12	Waste Gasket	027614-002
13	Waste Assembly	036011-006
14	Strainer, In-Line.....	033264-003
15	Tube, Straight	026794-014
16	FTG, JG. Reducing Union	028668-001
17	FTG, PP Union 1/4" OD	028605-101
18	FTG, PP Union Elbow WHI	028481-101
19	Tubing, PE 1/4" OD White.....	029959-006
20	Insulation, Sponge Tubing	028485-001
21	Holder, Cartridge	035990-001
22	Cartridge	029967-005
23	Washer/Spacer.....	028706-045
24	Nut, Retaining Metal High.....	029970-002
25	Bottom Plate.....	033723-003

Not Shown:

Gasket, Wall To Arm Reveal.....	027623-001
Plate, Wall MTG	027526-001

EXPLODED PARTS
BREAKDOWN

PWEBF



Item #	Part #	Description
1	036190-003	Alcove, EBF
2	027189-008	Bushing, Snap
3	027189-001	Bushing, Snap
4	036697-001	Cap, Drip Tray Bottom
5	036686-001	Cap, PWSBF
6	038168-001	Cord Assy, DC Power Supply
7	036191-002	Drain, MSBF, Short
8	036701-001	Drip Tray Assembly - Service
9	038026-002	Electronics Assy, IR/LCD
10	036687-001	Frame, PWSBF
11	028668-001	FTG, PP Reducing Union
12	029199-103	FTG, PP Union Tee White
13	036689-001	Gasket, PWSBF
14	017681-008-SP	Insulation, Sponge Tube
15	038031-002	Label, Alcove Sensor

Item #	Part #	Description
16	038031-001	Label, LCD Bezel
17	038031-003	Label, Panel
18	038027-001	Lens, IR Bottle Filler
19	031434-014	Nameplate, OASIS
20	038032-001	Nozzle
21	038036-003	Power Supply 12VDC
22	026642-003	Screw, Hex
23	036049-002	Screw, Oval
24	031875-003	Screw, Truss
25	038030-001	Solenoid Valve 12VDC
26	036688-001	Tray, Drip
27	036695-001	Tray, Grille Drip
28	029959-006	Tube, PE White 12"
29	030152-046-SP	Tube, PE White 38"
30	036691-003	Wrapper, PWEBF



Illustrated Parts Breakdown

Models: **R8-D300**

RWCD8-D300

R12-D300

RWCD12-D300



SPECIFICATIONS:

Model: R8-D300, RWCD8-D300

Voltage	115VAC±10%/1 PH/60 Hertz
Size	16 1/2"H, 16 1/2"W, 10 3/4"D
Shipping Weight (Approx)	49 lbs.
Cold Water Capacity*	8 GPH
Compressor	1/4 hp
Compressor (Full Load)	4.8 amps
Refrigerant	134a
Refrigerant Charge	6.8 oz

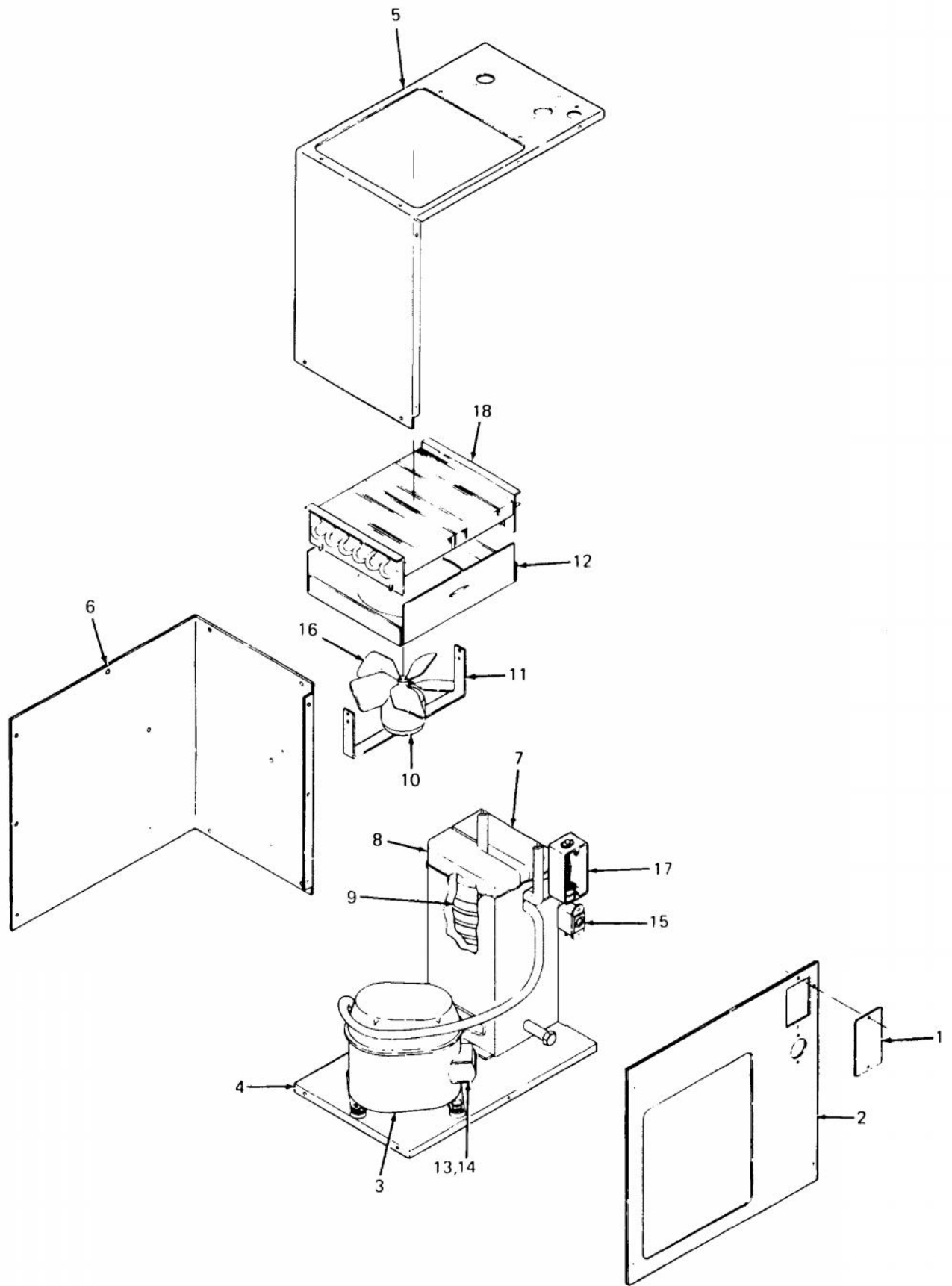
SPECIFICATIONS:

Model: R12-D300, RWCD12-D300

Voltage	115VAC±10%/1 PH/60 Hertz
Size	16 1/2"H, 16 1/2"W, 10 3/4"D
Shipping Weight (Approx)	52 lbs.
Cold Water Capacity*	12 GPH
Compressor	1/3 hp
Compressor (Full Load)	5.4 amps
Refrigerant	134a
Refrigerant Charge	6.9 oz

*Room Temperature 90°F; Supply Water Temperature 80°F; Drinking Water Temperature 50°F.

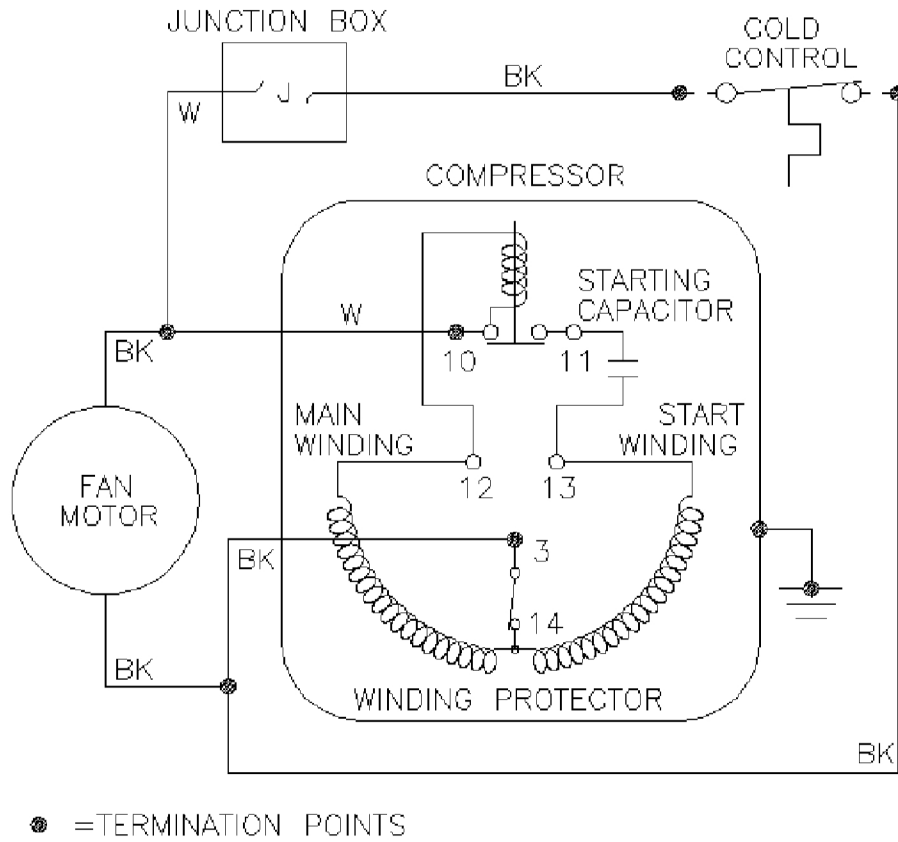
Specifications subject to change without notice.



Item #	Description	R8-D300 RWCD8-D300	R12-D300 RWCD12-D300
1	Utility Box Cover	023877	023877
2	Panel Front	025619-002	025619-002
3	Compressor (includes 13 & 14).....	033425-006	033425-005
4	Base, Compressor	028820-001	028820-001
5	Panel, Side & Top	025615	025615
6	Panel, Rear & Side	025616	025616
7	Insulation, Cooling Tank, Right Side	033431-001	033431-001
8	Insulation, Cooling Tank, Left Side	033431-002	033431-002
9	Cooling Tank Assembly, Insulated	033469-022-SP	033469-023-SP
10	Fan Motor.....	027354-036	027354-036
11	Bracket, Fan Motor	017530	017530
12	Shroud, Fan	017821-001	017821-001
13	Relay & Overload Combination	032836-007	032836-008
14	Capacitor.....	027956-004	027956-004
15	Cold Control.....	027040-039	027040-039
16	Blade, Fan.....	024033	024033
17	Electrical Box Assembly	028158-001	028158-001
18	Condenser	025757-001	027896-002
Part Not Shown			
	Drier	034343-003	034343-003

Electrical Diagram

**R8-D300, RWCD8-D300
R12-D300, RWCD12-D300**



OASIS International

222 East Campus View Blvd. - Columbus, OH 43235 U.S.A.
614/861-1350 - Fax: 614/322-4557
www.oasiscoolers.com