



## Illustrated Parts Breakdown

**Models:** PGV8AC  
PGV8ACSL



### SPECIFICATIONS:

#### Models: PGV8AC

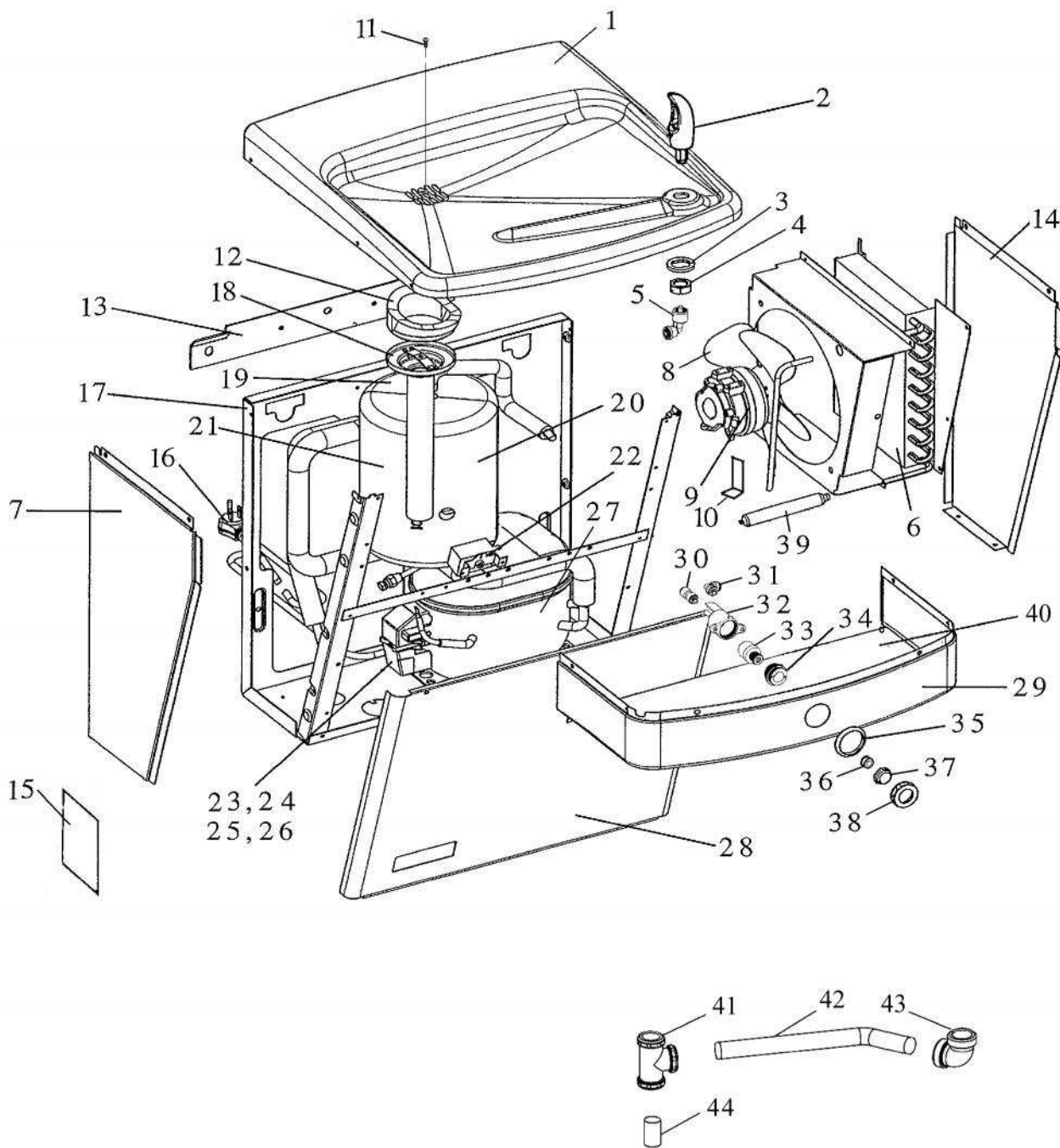
Voltage	115VAC±10%/1 PH/60 Hertz
Size	17 5/8" W, 18 5/8" D, 18 29/32" H
Shipping Weight (Approx)	59 lbs.
Cold Water Capacity*	8 GPH
Compressor	1/4 hp
Refrigerant	134a
Compressor (Full Load) - Huayi	4.4 amps
Refrigerant Charge - Huayi	3.95 OZ
Compressor (Full Load) - Danfoss	4.8 amps
Refrigerant Charge - Danfoss	4.75 OZ

#### Models: PGV8ACSL

Voltage	115VAC±10%/1 PH/60 Hertz
Size	35 1/4" W, 18 5/8" D, 24 29/32" H
Shipping Weight (Approx)	84 lbs.
Cold Water Capacity*	8 GPH
Compressor	1/4 hp
Refrigerant	134a
Compressor (Full Load) - Huayi	4.4 amps
Refrigerant Charge - Huayi	3.95 OZ
Compressor (Full Load) - Danfoss	4.8 amps
Refrigerant Charge - Danfoss	4.75 OZ

\*Room Temperature 90°F; Supply Water Temperature 80°F; Drinking Water Temperature 50°F.

Specifications subject to change without notice.

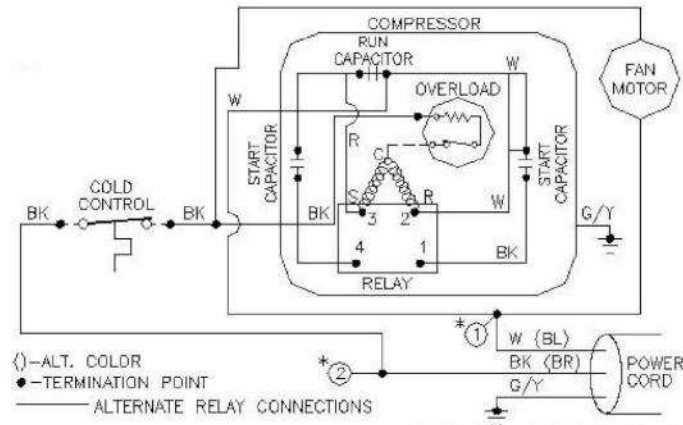


## Parts List

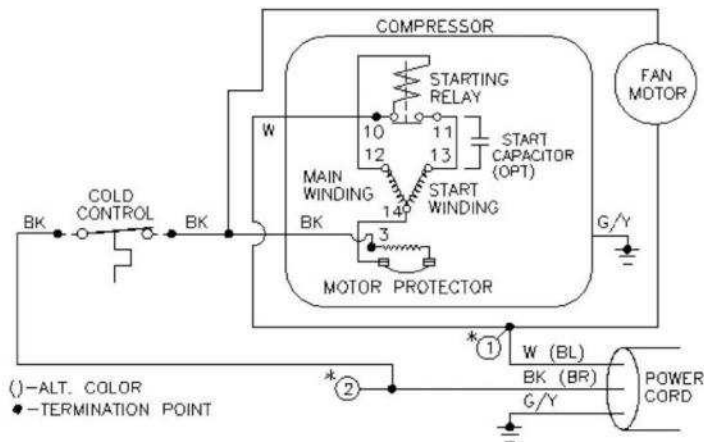
Item #	Description	PGV8AC	PGV8ACSL	PGVACS
1	Top	031714-101	031714-101	031714-101
2	Bubbler	035607-111	035607-111	035607-111
3	Washer, Undertop	028706-030	028706-030	028706-030
4	Locknut	026824-019	026824-019	026824-019
5	Bubbler Nut W/JG	036026-001	036026-001	036026-001
6	Condenser	031766-201	031766-201	N/A
7	Side Panel, Left Stainless Steel	035080-010	035080-310	035080-010
8	Blade, Fan	024033	024033	N/A
9	Motor, Fan	027354-036	027354-036	N/A
10	Bracket, Fan Motor	036478-001	036478-001	N/A
11	Drain Screw	036049-002	036049-002	036049-002
12	Waste Gasket	031756-002	031756-002	031756-002
13	Hanger Bracket	031363-002	031363-002	031363-002
14	Side Panel, Right Stainless Steel	035081-010	035081-010	035081-310
15	Patch Plate, Stainless Steel	N/A	036142-010	036142-010
16	Service Cord	036820-001	036820-001	N/A
17	Frame	035089-001	035089-001	035089-001
18	Waste Assy	036011-001	036011-002	036009-002
19	Insulation Right Cooling Tank	035088-001	035088-001	N/A
20	Insulation Left Cooling Tank	035088-002	035088-002	N/A
21	Cooling Tank, Insulated – Huayi	033469-055-SP	033469-055-SP	N/A
	Cooling Tank, Insulated – Danfoss	033469-001	033469-001	N/A
22	Cold Control	027040-039	027040-039	N/A
23	Relay - Huayi	036056-003	036056-003	N/A
	Relay/Overload Combo – Danfoss	032836-007	032836-007	N/A
24	Overload - Huayi	036055-003	036055-003	N/A
25	Start Capacitor – 60 MFD - Huayi	027956-008	027956-008	N/A
	Start Capacitor – Danfoss	027956-004	027956-004	N/A
26	Run Capacitor – 25 MFD - Huayi	027956-009	027956-009	N/A
27	Compressor Assy. – Huayi	036115-001	036115-001	N/A
	Compressor Assy. – Danfoss	033425-006	036425-006	N/A
28	Front Panel, Stainless Steel	035079-010	035079-010	035079-010
29	Front Nosepiece, Stainless Steel	035077-210	035077-210	035077-210
30	Union Fitting, ¼ OD	028605-101	028605-101	028605-101
31	Elbow Fitting, ¼ OD	028481-101	028481-101	028481-101
32	Cartridge Holder	035990-001	035990-001	035990-001
33	Cartridge	029967-005	029967-005	029967-005
34	Retaining Nut, Metal	029970-002	029970-002	029970-002
35	Nut Ring, Cartridge Holder	029969-001	029969-001	029969-001
36	Washer/Spacer	028706-045	028706-045	028706-045
37	Button, Push	024779	024779	024779
38	Nut, Hex Cover	024778	024778	024778
39	Drier	034343-003	034343-003	N/A
40	Shelf, Middle	035078-001	035078-001	035078-001
41	Waste Tee	N/A	N/A	A020968
42	Waste Arm Assy.	N/A	N/A	026980-004
43	Waste Elbow	N/A	N/A	A020967
44	Waste Extension Tube	N/A	N/A	036010-016
Parts Not Shown				
	Strainer, In-Line	033264-003	033264-003	033264-003
	Waterline, Tank to Valve	035504-011-SP	035504-011-SP	N/A
	Waterline, Inlet to Valve or Tank	035504-010-SP	035504-010-SP	N/A
	Waterline, Valve to Bubbler	035504-013	035504-013	035504-013
	Supply Tube Extension	N/A	N/A	032312-001
	Screw, VR, T15 (Pin)	035262-001	035262-001	035262-001
	Insert, Nameplate OASIS	020850-002	020850-002	020850-002

# Wiring Diagram: PGV8AC PGV8ACSL

## - H3 Series



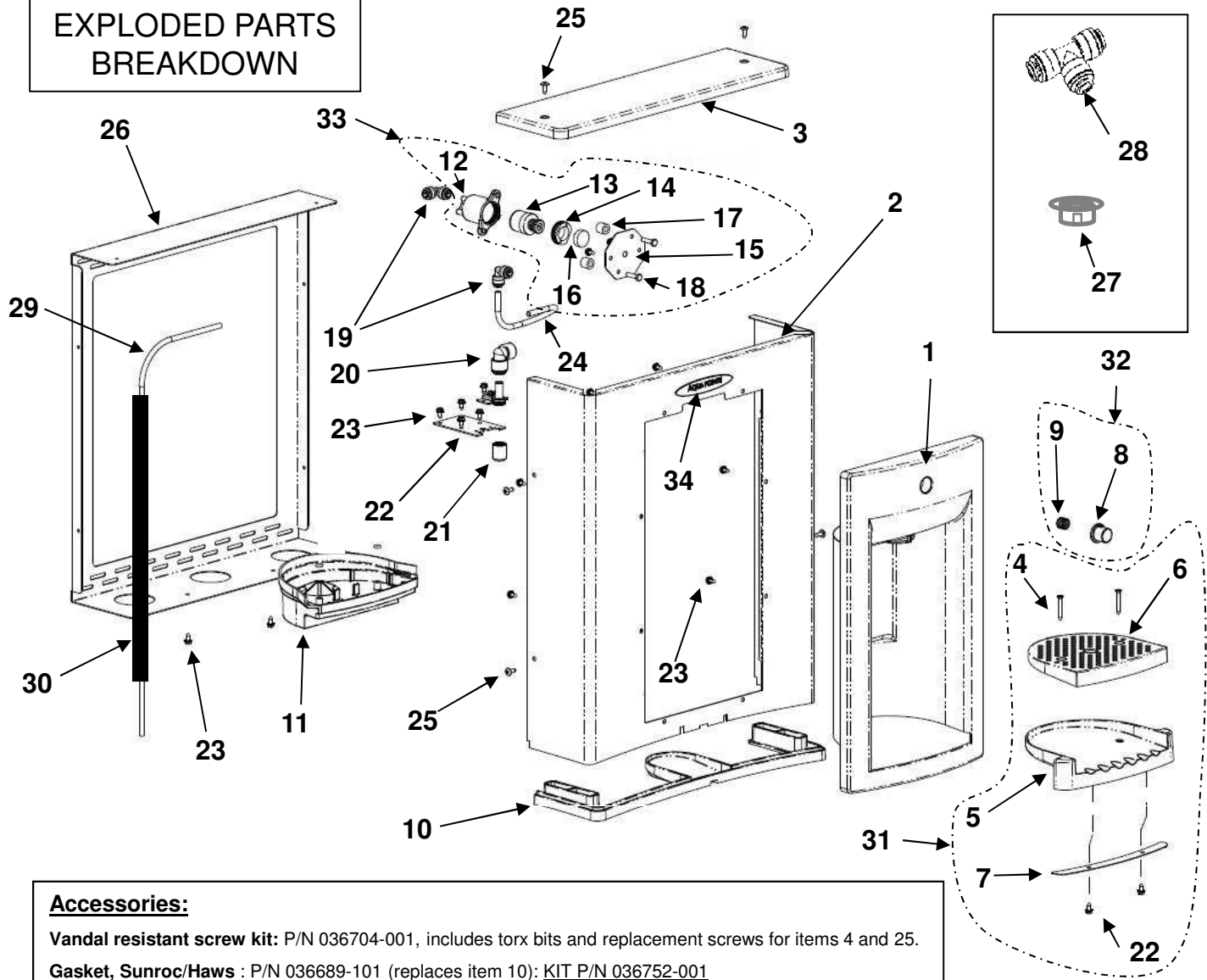
## - D3 Series



### OASIS International

222 East Campus View Blvd. - Columbus, OH 43235 U.S.A.  
 614/861-1350 - Fax: 614/322-4557  
[www.oasiscoolers.com](http://www.oasiscoolers.com)

**EXPLODED PARTS  
BREAKDOWN**



**Accessories:**  
**Vandal resistant screw kit:** P/N 036704-001, includes torx bits and replacement screws for items 4 and 25.  
**Gasket, Sunroc/Haws :** P/N 036689-101 (replaces item 10): [KIT P/N 036752-001](#)  
**Gasket, Elkay/Halsey Taylor** P/N 036689-201 (replaces item 10 ): [KIT P/N 036752-002](#)

1 036190-002	ALCOVE, PWSBF	18 026670-007	SCREW,HEX HD MACHINE
2 036691-001	WRAPPER, PWSBF STN2	19 028481-101	FTG,PP UNION ELBOW WHT
3 036686-001	CAP, PWSBF	20 028482-001	FTG, JG REDUCING ELBOW
4 036049-002	SCREW, FLAT HEAD TAPPING	21 038032-001	FLOW NOZZLE ASSY
5 036688-001	TRAY, DRIP PWSBF	22 036209-002	BRACKET, SPOUT SUPPORT
6 036695-001	TRAY, GRILLE DRIP	23 026642-003	SCREW, HEX HD TAPPING
7 036697-001	DRIP TRAY BOTTOM CAP	24 030152-031	TUBE, PE CUT LENGTH
8 036194-002	BUTTON, PWSBF	25 031875-003	SCREW, BUTTON HD TAPPING
9 034649-001	SPRING, MSBF	26 036687-001	FRAME, PWSBF
10 036689-001	GASKET, PWSBF	27 027189-007	BUSHING, SNAP
11 036191-002	DRAIN, MSBF, SHORT	28 029199-103	FTG,PP UNION TEE WHITE
12 035990-001	HOLDER, CARTRIDGE STEM CON	29 030152-046-SP	TUBE, PE CUT LENGTH
13 029967-002	CARTRIDGE	30 017681-008-SP	INSULATION, SPONGE TUBING
14 A020957	NUT, RETAINING PLASTIC	31 036701-001	DRIP TRAY ASSEMBLY-SERVICE
15 036690-001	BRACKET, VALVE PWSBF	32 036702-001	BUTTON ASSEMBLY, PWSBF-SERVICE
16 030176-002	PLUG, HOLE	33 036231-001-SP	VALVE ASSEMBLY, PWSBF DISPENSE-SERVICE
17 028706-036	WASHER/SPACER/GASKET-NON METAL	34 031206-005	INSERT, NAMEPLATE AQUAPOINTE

P/N 030099-412 Date: 2/2016 Rev G  
 © 2016 LVD Acquisition, LLC

Oasis, Aqua Pointe, Versacooler and VersaFiller are registered trademarks of LVD Acquisition, LLC.  
 Haws is a registered trademark of HAWS Corporation.  
 Elkay and Halsey Taylor are registered trademarks owned or licensed by Elkay Sales Inc. and/or its parent Elkay Manufacturing Company



**Oasis International**  
 222 East Campus View Blvd.  
 Columbus, OH 43235  
 614-861-1350  
[www.oasiscoolers.com](http://www.oasiscoolers.com)