



**VANDAL RESISTANT, BARRIER-FREE VERSACOOLER® II
WITH HANDS-FREE BOTTLE FILLER
Energy and Water Conservation Technology
PGV8EBF, PGVEBF**



Suggested Specification

Model PGV8EBF shall deliver 8.0 gph of 50° F degree water at 90° F ambient and 80° F inlet water. Model PGVEBF is a non-refrigerated fountain and delivers ambient water. Shall include the VersaFiller Sports Bottle Filler with hands free activation; lower unit shall have a single vandal resistant push button to activate the flow of water. VersaFiller components contain Freshield®, which utilizes a silver-based antimicrobial compound that reduces the growth of micro-organisms and mildew to protect the surfaces from discoloration, odors and degradation. Basin shall be designed to eliminate splashing and standing water. Water saver bubbler reduce waste water by 50% and shall have flexible guard and operate between 20 and 100 PSI. Cabinet finish shall be sandstone on galvanized steel or brushed stainless steel. Shall use R-134a refrigerant. Shall comply with ANSI 117.1 and ADA. Shall be listed by Underwriters Laboratories to US and Canadian standards. Shall comply with ANSI/NSF 61 and NSF/ANSI 372.

Models

- PGV8EBF delivers 8.0 gallons of chilled drinking water per hour
- PGVEBF is a non-refrigerated fountain

Standard Features

- Built-in 100 micron strainer stops particles before they enter the waterway
- Vandal resistant bubbler with flexible guard
- Vandal resistant mechanical front push button
- Vandal resistant fasteners
- Galvanized steel louver and bottom screen
- Waterways are Lead-Free in materials & construction
- Stainless steel top and heavy duty galvanized steel frame
- High efficiency cooling system
- Refrigerant R-134a
- Hands free VersaFiller with built in bottle counter

Finishes

- Standard cabinet finish: Stainless steel

Installation

- Prior to roughing consult with local, state and federal codes for proper mounting height
- Shipped with complete instructions and wall mounting bracket
- Removable side and front panels provide easy access for installation

Options (at additional cost)

- One piece chrome plated brass bubbler (036700-001)
- VersaFilter

Limited 5-Year Warranty

(Continental limits of the United States and Canada)
Five years on the sealed refrigeration system and most component parts. Detailed warranty certificate enclosed with each water cooler; sample available upon request.

Export Warranty

One year on components parts. Detailed warranty certificate enclosed with each drinking fountain; sample copy available upon request.

Certifications/Compliance

- Oasis International Electric Water Coolers are listed by Underwriters Laboratories Inc. and comply with both U.S. and Canadian Requirements.
- Product Certified to NSF/ANSI Standard 61-G & 372 and conforms with the lead content requirements for “Lead Free” plumbing as defined by California, Vermont, Maryland, and Louisiana state laws and the U.S. Safe Drinking Water Act.
- This unit complies with ARI standard 1010 Testing, Operating and Rating requirements (electric water coolers only).
- These water coolers comply with the requirements of ADA (Americans with Disabilities Act) when properly installed.



Model	50° F Drinking Water 90° F Ambient Air Temp*			Hot'N Cold Model	115 Volts, 60 HZ			Glass Filler Acc. Option	Cabinet Color Finish	Net Wt. Approx
	Rated Capacity GHP	Base Rate GHP	Pre-Cooler		Compr. HP	Full Load Amps	Rated Watts			
PGV8EBF	8.0	8.0	No	No	1/4	4.5	458	No	No	56 Lbs
PGVEBF	Fountain Only							No	No	25 Lbs

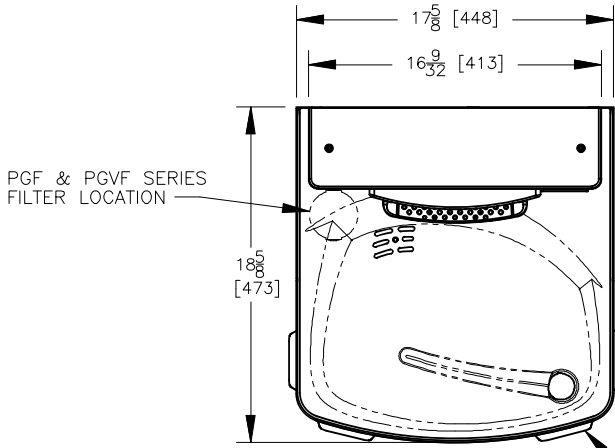
* Industry Standard Rating Condition 80° F inlet water temperature

Specifications subject to change without notice

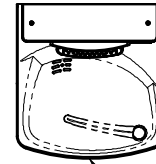
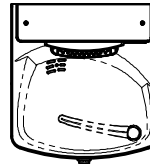
OASIS® VERSACOOLER® II

NOTES:

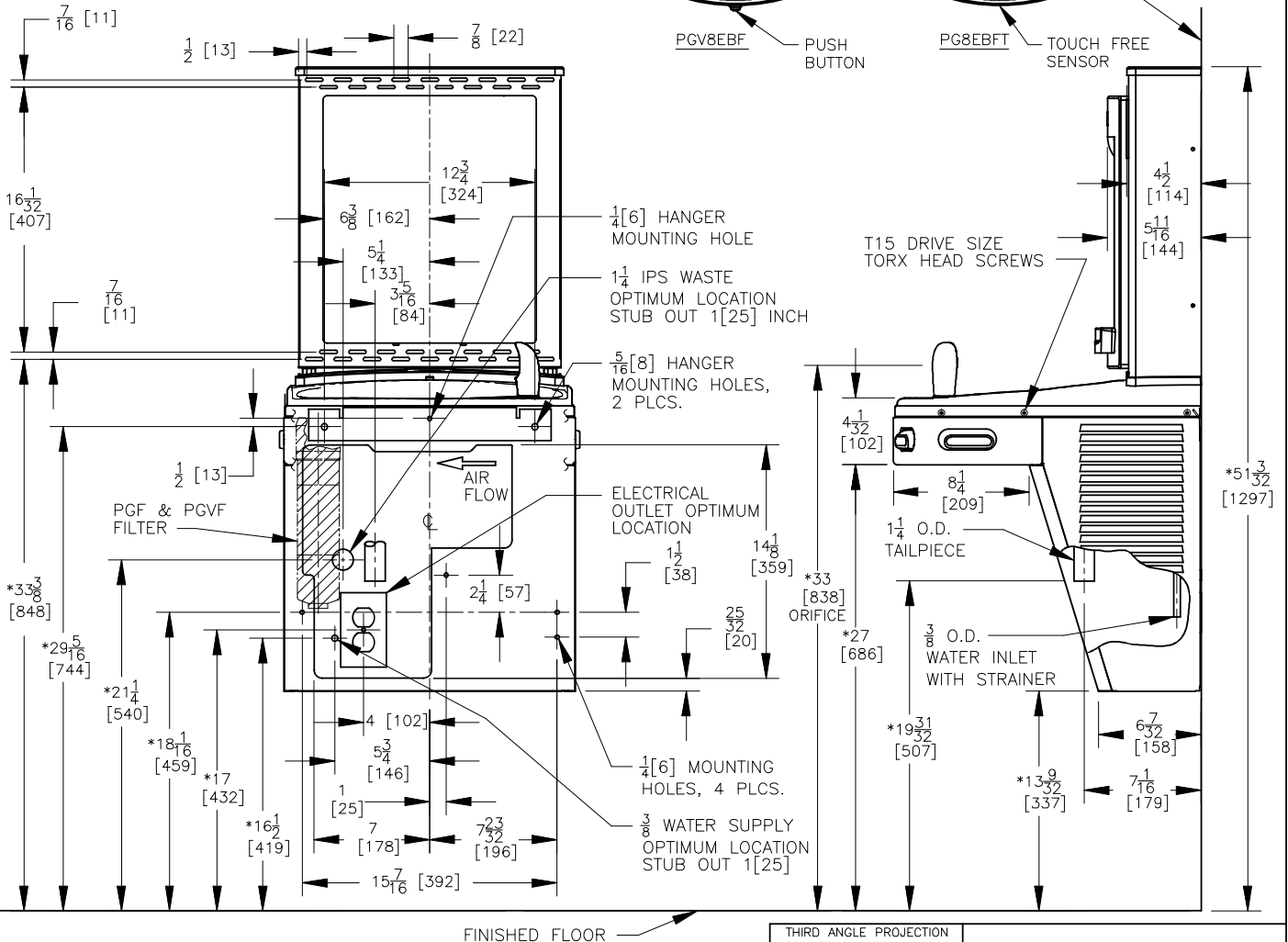
1. TRAP, STOP VALVE AND ELECTRICAL OUTLET NOT FURNISHED.
2. ALLOW 4 INCHES [102 MM] MIN. PER SIDE FOR VENTILATION.
- *3. RECOMMENDED ADULT BARRIER FREE HEIGHT INSTALLATION SHOWN. REDUCE HEIGHT BY 3 INCHES FOR INSTALLATIONS USED PRIMARILY BY CHILDREN AGES 12 AND YOUNGER. UNIT SHALL ALSO HAVE A MINIMUM CLEAR FLOOR SPACE 30[760] BY 48[1220]. ADJUST VERTICAL DIMENSIONS AS REQ'D TO COMPLY WITH FEDERAL, STATE, AND LOCAL CODES.
4. 115V GROUNDED NORTH AMERICAN DUPLEX RECEPTACLE REQUIRED. THIS DRINKING WATER COOLER IS INTENDED TO BE CONNECTED TO A 20A MINIMUM GROUND FAULT CIRCUIT INTERRUPTING (GFCI) DEVICE TO MEET UL REQUIREMENTS.
5. ALL DIMENSIONS ARE IN INCHES. DIMENSIONS IN BRACKETS [] ARE IN MILLIMETERS.



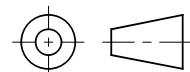
PUSH PADS
NON-TOUCH FREE
MODELS ONLY



FINISHED WALL



THIRD ANGLE PROJECTION



ROUGHING-IN AND DIMENSIONAL DRAWING

