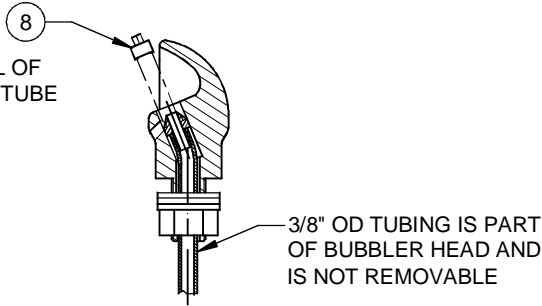


PARTS BREAKDOWN

** (OPTIONAL)
FOR REMOVAL OF
NOZZLE WITH TUBE

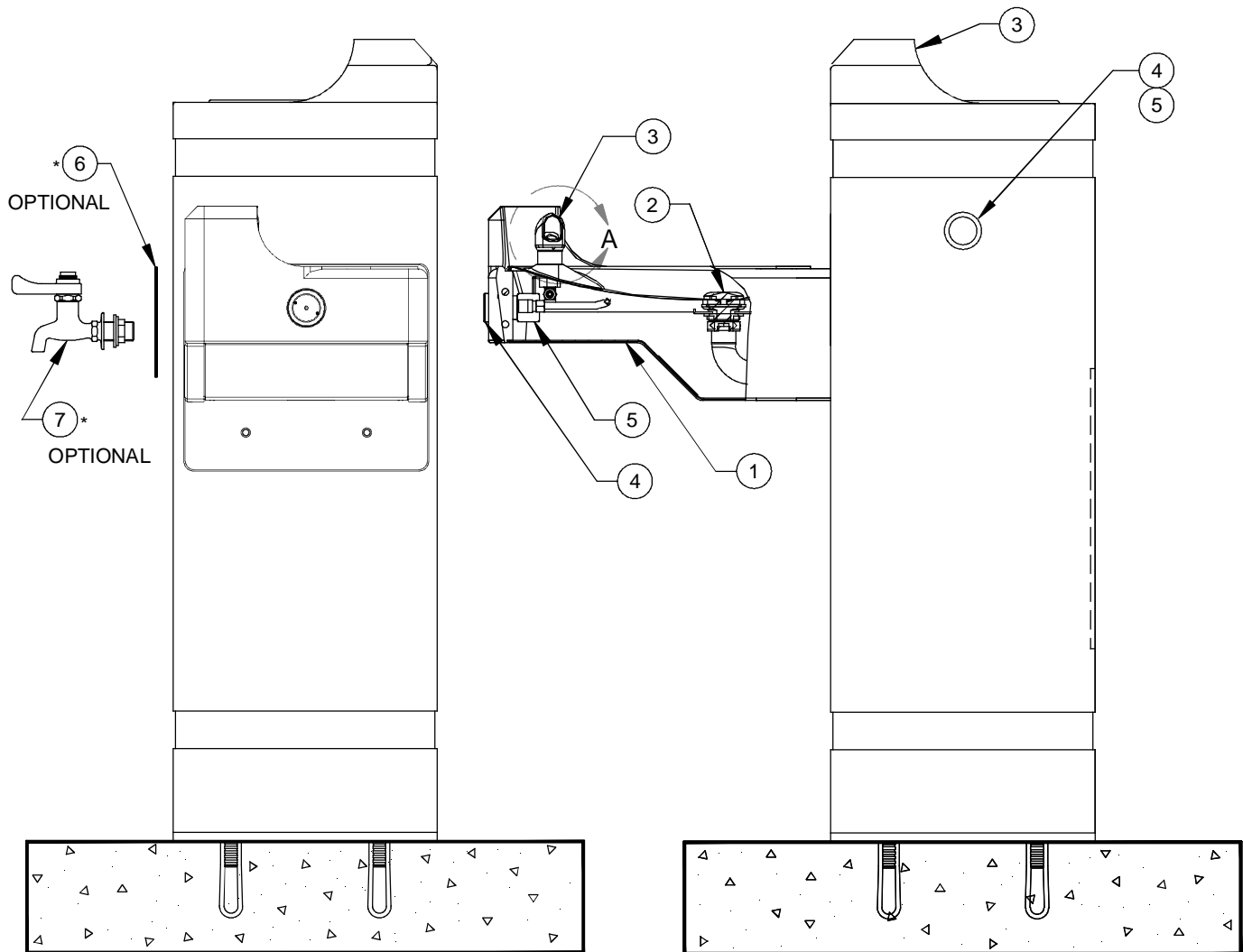


DETAIL A
ROTATED 90° INTO VIEW
DETAIL OF ITEM 3

ITEM	DESCRIPTION	PART NO.
1	BOTTOM PLATE	PBM1047
2	STRAINER ASSY	6466
3	BUBBLER HEAD	5703M
4	PUSH BTN ASS'Y	PBA7
5	VALVE	5874SS
6	ACCES PLATE SST W/HOLE (OPTIONAL)	0004499489
7	BIB FAUCET, SELF CLOSING (OPTIONAL)	6250LF
8	DRIVER, NOZZLE .25 HEX	0002082253

*** NOTE:** ITEM 7 (ACCESS PLATE W/HOLE)
MUST BE USED WITH ITEM 8
(BIB FAUCET, SELF CLOSING).

** ENSURE TUBE IS DISCONNECTED FROM VALVE
BODY PRIOR TO REMOVAL. APPLY A DROP OF
LOCTITE 222MS ON NOZZLE THREADS PRIOR TO
REASSEMBLING BACK ONTO BUBBLER HEAD.
REATTACH TUBE TO VALVE BODY.



		1455 KLEPPE LANE SPARKS, NEVADA 89431 (775) 359-4712 FAX (775) 359-7424 E-MAIL: HAWS@HAWSO.COM WEBSITE: WWW.HAWSO.COM	
		ECN NO. REVISED PER BY ECN: 4933 HM	MODEL(S) 3150
DRAWN D. OLLOM	DATE 11/25/95	CHKD FV	REVISION 24
APPROVED FV	DATE 10/21/14	SCALE: 1:4	DRAWING TYPE: PARTS BREAKDOWN SIZE: A SHEET 1 OF 1

WHEN ORDERING PARTS PLEASE SPECIFY MODEL NUMBER.