



# WATER COOLERS

## A172.8 Series

**MODEL A172108F-UBL-BF2**  
 BARRIER FREE, WALL MOUNTED BI-LEVEL WITH  
 -BF2 SENSOR OPERATED BOTTLE FILLER

### STANDARD FEATURES

- Child or Adult ADA Compliant (when properly installed)
- Granite Powder Coated Apron and One-Piece Bottom Wrapper
- Flexible, Low Flow, Anti-Rotation, Non-Squirt Bubbler
- 100-Mesh Inlet Strainer
- Vandal Resistant Screws
- Hanging Bracket provided
- Auto-stop allows service of Cartridge and Strainer without shutting off water supply
- Laminar Flow Water Supply
- 1 G.P.M. Fill Rate
- 100% Lead & Brass Free
- 20 Seconds Maximum Run Time

### SUGGESTED SPECIFICATIONS

Model A172108F-UBL-BF2 is a Bi-Level, self-contained, pressurized Water Cooler that shall deliver a minimum of 8.0 GPH (30.3 LPH) of water at 50°F (10°C) cooled from 80°F (26.7°C) inlet water and 90°F (32.2°C) ambient. Units shall be activated from a Pushbutton in the front, using less than 5 pounds of force. Bubblers shall deliver a 0.3 GPM flow, have a Flexible Guard with an integrally designed non-squirt feature and operate on a water pressure range of 20-105 PSIG. Basins shall be constructed from 304 Stainless Steel and have an Integral Drain. Unit includes model BF2 Sensor Operated Bottle Filler. Drinking fountain and Bottle Filler Cabinets shall be either Galvanized Steel with Granite Powder Coat or Stainless Steel. Cooling system shall use R-134a refrigerant and be Capillary Tube regulated. An Adjustable Thermostat with an "off" position shall regulate the refrigeration system. Unit shall be listed by Underwriters Laboratories for both the US and Canada and is compliant to the Air Conditioning and Refrigeration Institute Standard 1010. Unit is certified to ANSI A117.1, Public Law 111-380 (NO-LEAD), CHSC 116875 and NSF/ANSI 61, Section 9. Fixture meets ADA, ADA Standing Person, and ADA Child requirements when mounted appropriately.

Model Number	GPH*	Rated Watts	Full Load Amps	Approx. Shipping Weight
A172108F	8.0	335	4.4	120 lbs.

\* GPH of 50°F water at 90°F ambient room temperature and 80°F inlet water temperature  
 Compressor motor operates on 115 Volt / 60 Hz single phase.

Complies with the following standards:

Test rating conditions are compliant with ARI 1010.



**"INDOOR USE ONLY"**

### MODEL: (Must Specify)

- FLEXIBLE BUBBLER**
- A172108F-UBL-BF2 Granite Finish (Shown)
  - A172408F-UBL-BF2S Satin Stainless Finish
- LEAD-FREE STAINLESS STEEL BUBBLER**
- A172108S-UBL-BF2 Granite Finish
  - A172408S-UBL-BF2S Satin Stainless Finish

### WATER COOLER OPTIONS (additional costs may be incurred)

- BP8 Back Panel, Stainless Steel
- CSC3 Concealed Support Carrier
- WF1 1500-gallon capacity, NSF 42+53, 1 micron Lead Reduction Filter
- 220V 220 volt / 50 Hz compressor

### BOTTLE FILLER OPTIONS (additional costs may be incurred)

- BAT Battery Operated (N/A With Bottle Counter)
- BCD Bottle Counter Display

Member of U.S. Green Building Council

⚠ WARNING: Cancer and Reproductive Harm - [www.P65Warnings.ca.gov](http://www.P65Warnings.ca.gov)  
 ⚠ ADVERTENCIA: Cáncer y daño reproductivo - [www.P65Warnings.ca.gov](http://www.P65Warnings.ca.gov)

**MURDOCK MFG.** • 15125 Proctor Avenue • City of Industry, CA 91746 USA  
 Phone 800-453-7465 or 626-333-2543 • Fax 626-855-4860 • [www.murdockmfg.com](http://www.murdockmfg.com)

Member of MORRIS GROUP INTERNATIONAL

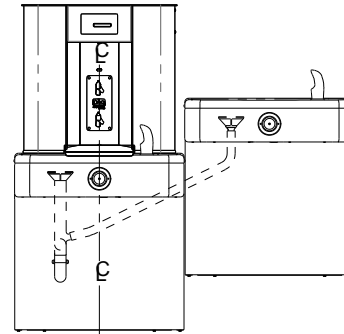
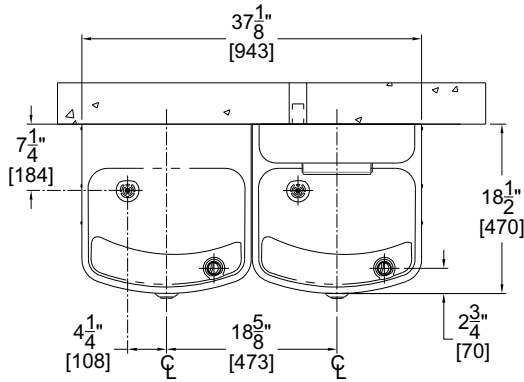


# WATER COOLERS

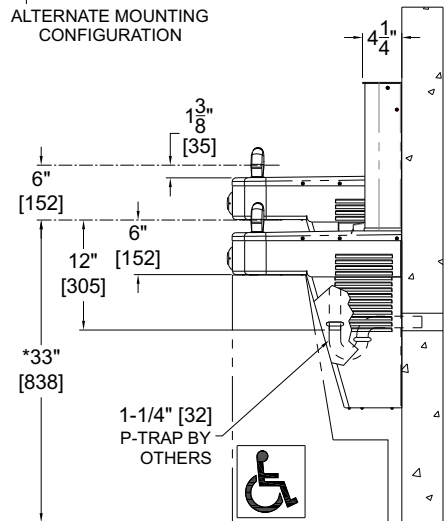
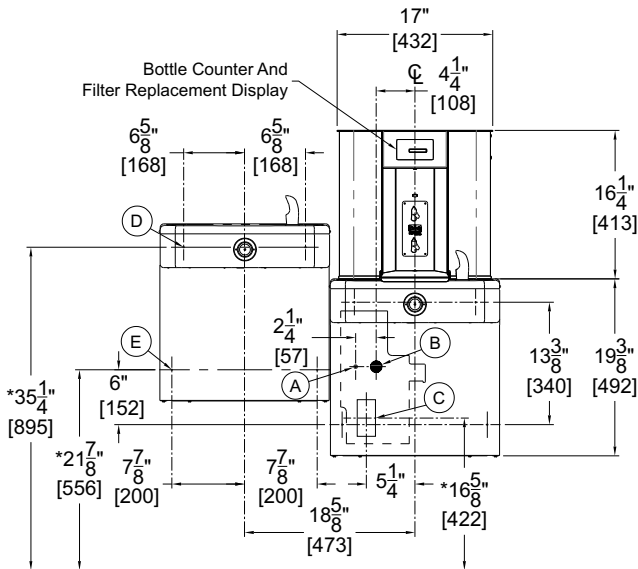
## A172.8 Series

### MODEL A172108F-BF2

BARRIER FREE, WALL MOUNTED BI-LEVEL WITH  
-BF2 SENSOR OPERATED BOTTLE FILLER



ALTERNATE MOUNTING CONFIGURATION



**General Notes:**

1. All dimensions are in inches [MM]
2. Allow 4 inches [102MM] minimum clearance per side for ventilation
3. Dimensions shown are for ADA adult height. Adjust vertical dimensions as necessary to comply with Federal, State & Local Codes
4. Stop Valve, P-Trap & Electrical Outlet not supplied
5. Important: Coolers must be attached to wall with appropriate Anchor Screws

- A. 3/8" O.D. Supply Inlet
- B. Waste Outlet for 1-1/4" P-Trap, by others
- C. Electrical Service Rough
- D. Ø3/8" Hanger Bracket Punching, 3 places for Anchoring Hardware by others
- E. Ø1/4" Punching, 2 places for Anchoring Hardware, by others

Murdock Mfg.™ warrants that its products are free from defects in material or workmanship under normal use and service for a period of one year from date of shipment. Murdock's liability under this warranty shall be discharged solely by replacement or repair of defective material, provided Murdock™ is notified in writing within one year from date of shipment, F.O.B. Industry, California.

SELECTION SUMMARY & APPROVAL FOR MANUFACTURING	Model Number & Options _____	Quantity _____	All dimensions are subject to manufactures tolerance of plus or minus 1/2" nominal and subject to change without notice. Murdock assumes no responsibility for use of void or superseded data. Dimensions may change with the addition of optional accessories. Murdock Mfg.™, Member of Morris Group International™. Please visit <a href="http://www.murdockmfg.com">www.murdockmfg.com</a> for most current specifications.
	Company _____		
	Contact _____	Title _____	
	Signature (Approval for Manufacturing) _____	Date _____	