



BOTTLE FILLER

BF1 Series

MODEL: BF1

PUSH BUTTON OPERATED
BOTTLE FILLER

STANDARD FEATURES

- 100-Mesh Inlet Strainer
- Laminar Flow Water Supply
- 1 G.P.M. Fill Rate (Min. Set Pressure 40 PSI)
- 100% Lead & Brass Free

SUGGESTED SPECIFICATIONS

Model BF1 is a push button operated bottle filler designed to be used with an Acorn A171 or A111 Series Barrier-Free Water Cooler. When installed properly, the bottle filler complies with ADA forward reach requirements. Cabinet is available in stainless steel or granite powder coat on galvanized steel. Unit is certified to ANSI A117.1, Public Law 111-380 (NO-LEAD), CHSC 116875 and NSF/ANSI 61, Section 9.



Model -BF1S Shown
**U.S. DESIGN PATENT PENDING

"RATED FOR INDOOR AND OUTDOOR USE"

MODEL:

(Must Specify)

- BF1 Granite Powder Coat
Galvanized Steel (Std)
- BF1S 18 Gage 304 Stainless Steel

OPTIONS

(additional costs may be incurred)

- WF1 1500-gallon capacity, NSF 42+53,
1 micron lead reduction filter



Member of
U.S. Green
Building
Council



Recyclable
Product



Water
Conserving
Product

Please visit www.murdockmfg.com
for most current specifications.

Complies
with the
following
standards:



Federal
Public Law
111-380
(No Lead)



MURDOCK MFG. • 15125 Proctor Avenue • City of Industry, CA 91746 USA
Phone 800-453-7465 or 626-333-2543 • Fax 626-855-4860 • www.murdockmfg.com

Member of
MORRIS GROUP
INTERNATIONAL



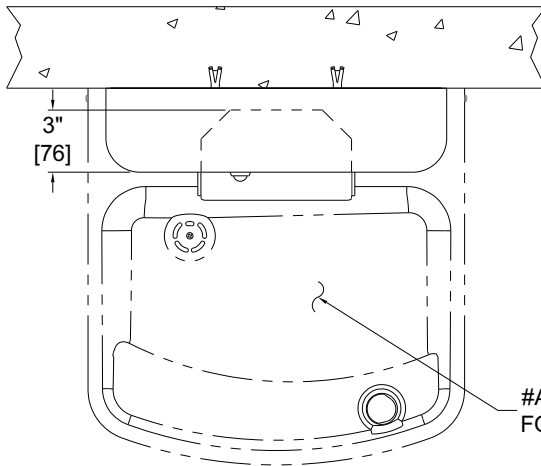
BOTTLE FILLER

All dimensions are subject to manufactures tolerance of plus or minus 1/8" nominal and subject to change without notice. Murdock Mfg. assumes no responsibility for use of void or superseded data. Dimensions may change with the addition of optional accessories. Murdock Mfg.™, Member of Morris Group International™. Please visit www.Murdockmfg.com for most current specifications.

BF1 Series

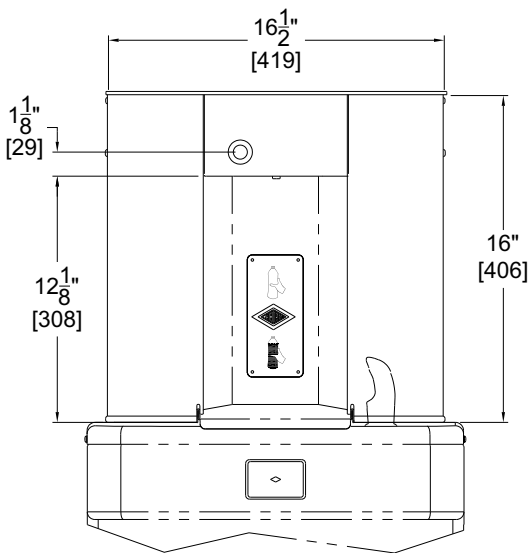
MODEL: BF1

BOTTLE FILLER OPERATED
BOTTLE FILLER

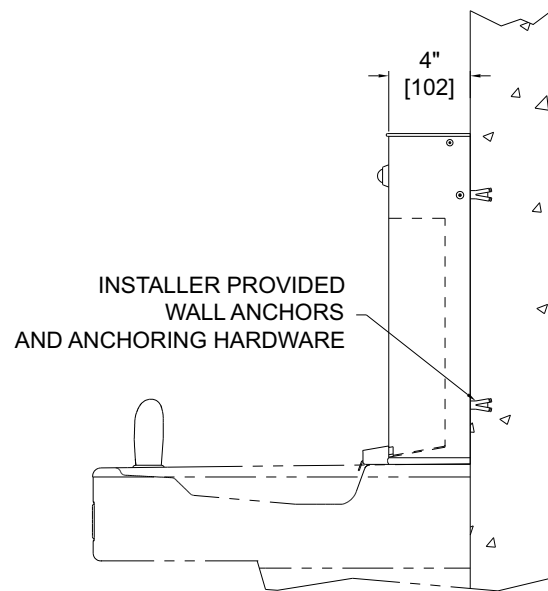


#A171 SHOWN
FOR REFERENCE

TOP VIEW



FRONT VIEW



SIDE VIEW

GENERAL NOTES:

1. ALL DIMENSIONS ARE IN INCHES (MM)

Murdock Mfg.™ warrants that its products are free from defects in material or workmanship under normal use and service for a period of one year from date of shipment. Murdock's liability under this warranty shall be discharged solely by replacement or repair of defective material, provided Murdock™ is notified in writing within one year from date of shipment, F.O.B. Industry, California.

**SELECTION SUMMARY
& APPROVAL FOR
MANUFACTURING**

Model Number & Options _____	Quantity _____
Company _____	
Contact _____	Title _____
Signature (Approval for Manufacturing) _____	Date _____

All dimensions are subject to manufactures tolerance of plus or minus 1/8" nominal and subject to change without notice. Murdock assumes no responsibility for use of void or superseded data. Dimensions may change with the addition of optional accessories. Murdock Mfg.™, Member of Morris Group International™. Please visit www.murdockmfg.com for most current specifications.

MURDOCK MFG. • 15125 Proctor Avenue • City of Industry, CA 91746 USA
Phone 800-453-7465 or 626-333-2543 • Fax 626-855-4860 • www.murdockmfg.com

Member of
MORRIS GROUP
INTERNATIONAL