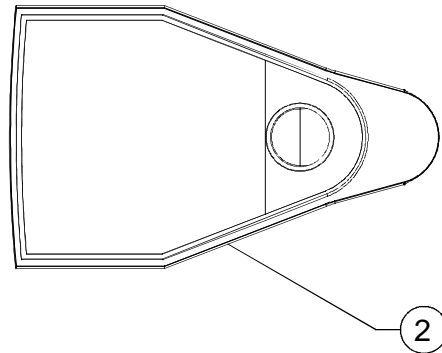
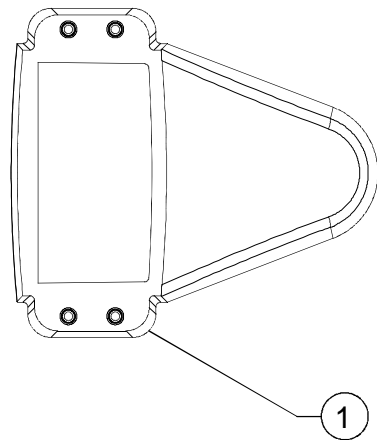
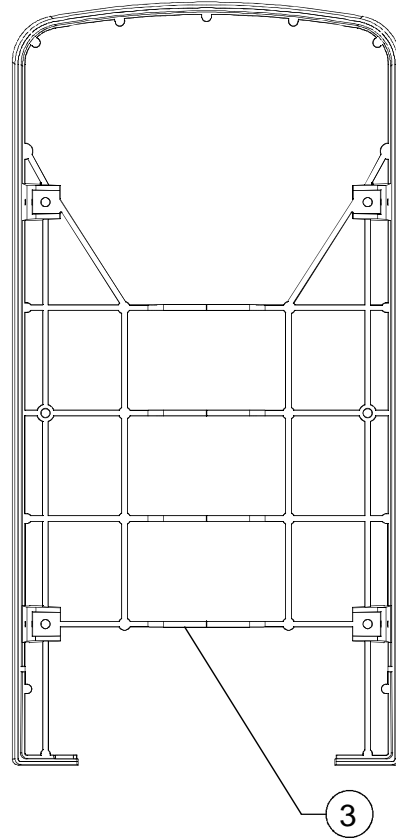
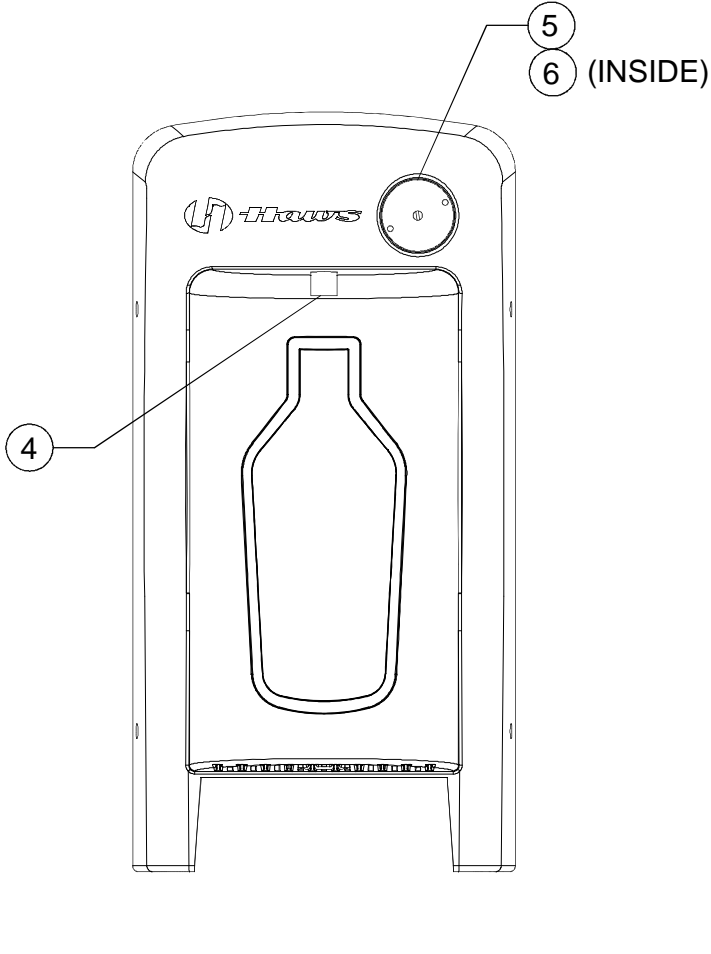



PARTS BREAKDOWN

ITEM	DESCRIPTION	PART NO.
1	DRAIN BASIN	0002060018
2	DRAIN EXTENDER	0002306901
3	MOUNTING FRAME	0002546051
4	NOZZLE	0003707600
5	PUSH BUTTON	PBA7
6	VALVE	5874SS



 Haws [®]		1455 KLEPPE LANE SPARKS, NEVADA 89431 (775) 359-4712 FAX (775) 359-7424 E-MAIL: HAWS@HAWS.CO.COM WEBSITE: WWW.HAWS.CO.COM	
		ECN NO. 4855 DRAWN JL APPROVED FV	REVISED PER BY ECN: 5055 HM DATE 2/10/14 DATE 04/04/16

WHEN ORDERING PARTS PLEASE SPECIFY MODEL NUMBER.