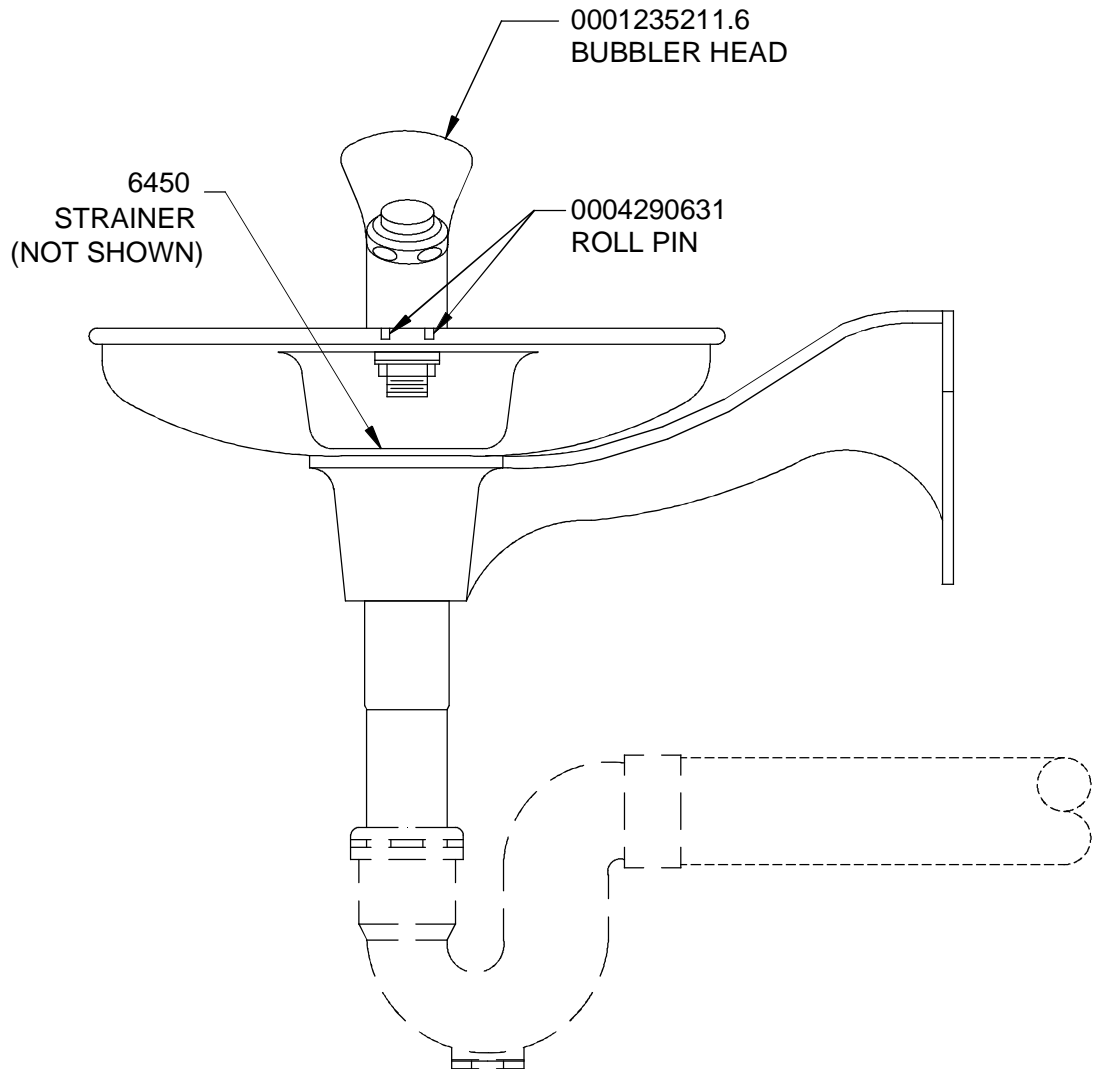


PARTS BREAKDOWN



Haws®

1455 KLEPPE LANE
SPARKS, NEVADA 89431
(775) 359-4712 FAX (755) 359-7424
E-MAIL: HAWS@HAWSO.COM
WEBSITE: WWW.HAWSO.COM

ECN NO. 2195	REVISED PER ECN: 5062	BY RVH
DRAWN D. OLLOM	DATE 11/25/95	CHKD
APPROVED FV	DATE 05/11/16	

MODEL(S)	1152
----------	------

PART NUMBER	0002076728
DRAWING NO.	12791C00
REV	10

WHEN ORDERING PARTS PLEASE SPECIFY MODEL NUMBER.