



# model 3511FR

## Barrier-Free Freeze Resistant Pedestal Fountain

### FEATURES & BENEFITS

#### **PUSH BUTTON**

Polished chrome-plated push-button requires less than 5 lbs. (2.7 kg) of push force to activate.

#### **CONSTRUCTION**

Heavy-duty cast aluminum construction supports this elegant old-charm fountain, and it is finished with midnight black powder-coat paint.

#### **FREEZE-RESISTANT VALVE**

Fully engineered system with the pneumatic operated freeze-resistant valve installed below frost line to drain water to non-freezing depth allowing fountain to function year-round. Assembly can be lifted to surface and lowered back into casing for easy maintenance without disturbing the fountain.

#### **BARRIER-FREE**

Barrier-free capabilities combined with its ease of use allows for a number of installation location possibilities.

#### **BUBBLER HEAD**

Polished chrome-plated brass bubbler head with an integral basin shank and inserted roll pin adds vandal resistance strength to the design, and the shielded angled stream orifice produces a steady sanitary source of water.



### SPECIFICATIONS

Model 3511FR "Hi-Lo" barrier-free antique style pedestal drinking fountain shall include a heavy-duty cast aluminum pedestal with a black powder-coated finish, dual 18 gauge Type 304 Stainless Steel satin finish basins with integral swirl design, polished chrome-plated brass push-buttons, polished chrome-plated brass vandal-resistant bubbler heads, chrome-plated brass vandal-resistant waste strainer, integral mounting plate, and 1-1/2" O.D. tailpiece. REQUIRES MODEL 6518.2FR PRICED SEPARATELY.

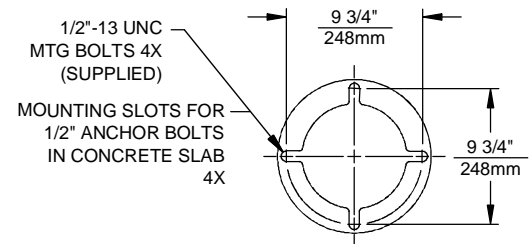
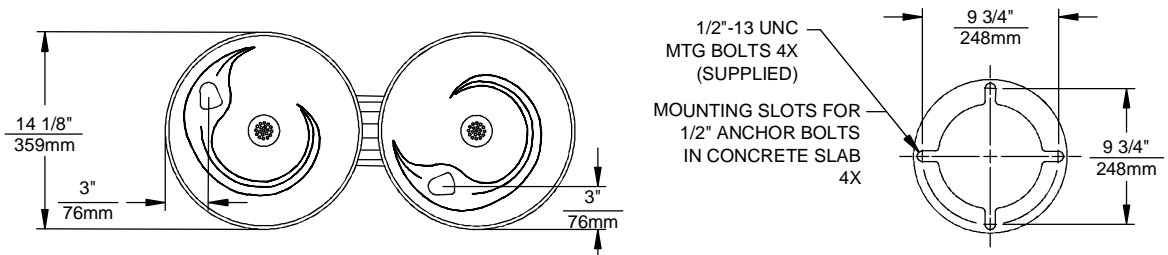
### OPTIONS

For more information, visit [www.hawesco.com](http://www.hawesco.com) or call (888) 640-4297.

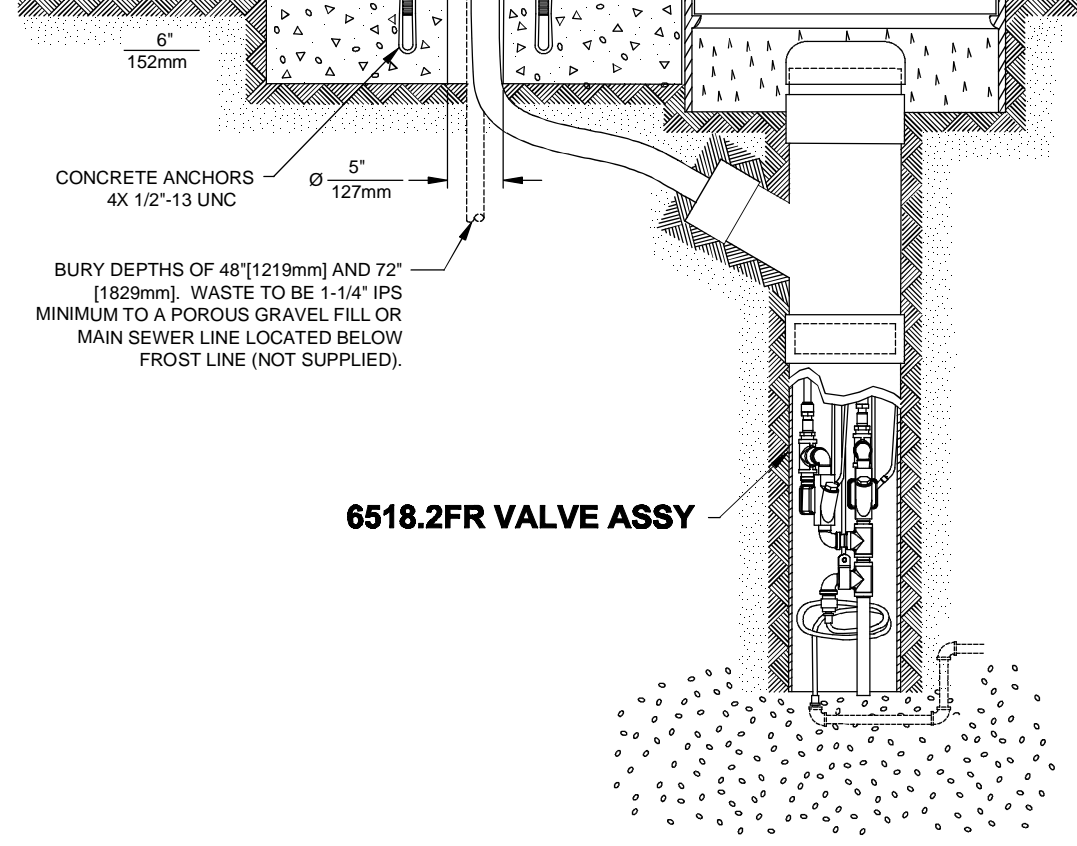
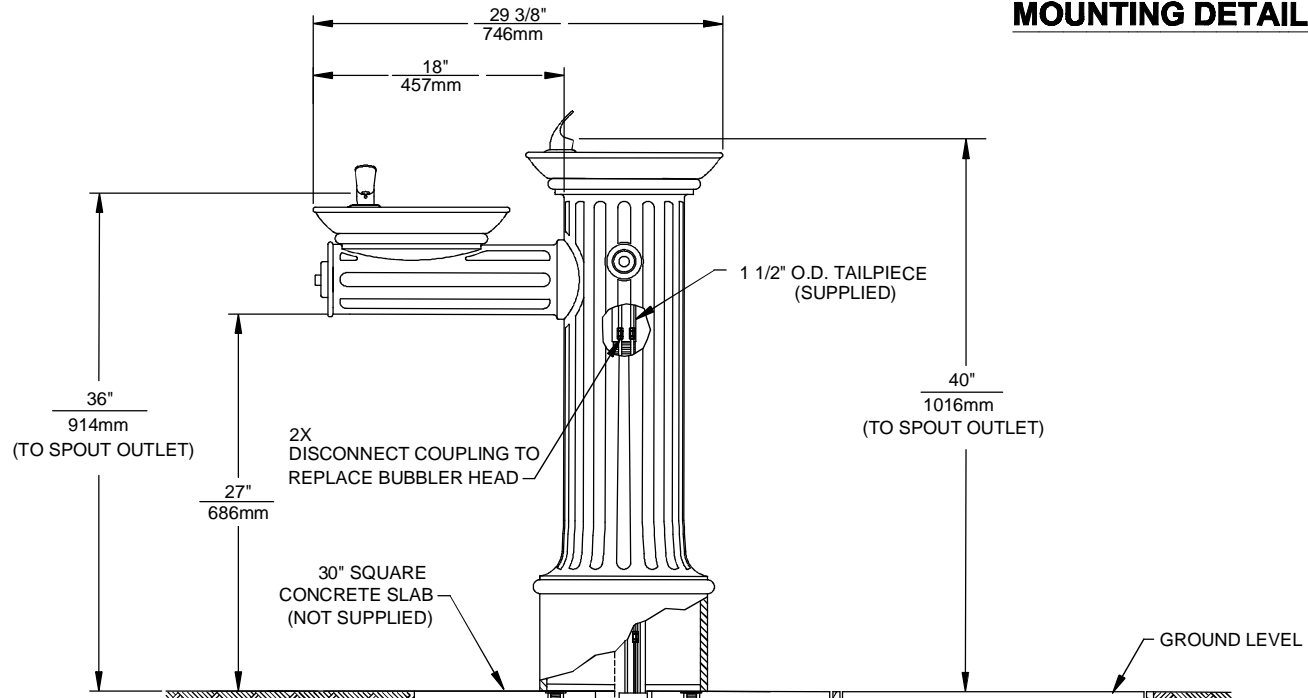
### APPLICATIONS

Outdoor architectural settings where an "old town" ambiance is present, the 3511FR will fit perfectly. Historic styled fountain with "up to date" components that provide performance really bring a traditional feel to any area that is historically designed. Powder-coated finish helps maintain the fountains overall appeal so it remains looking as it did when it was newly installed. This type of pedestal drinking fountain may also be placed in a variety of settings such as: parks, schools, and other outdoor environments around where the temperature may drop into freezing conditions. Model meets all current Federal Regulations for the disabled including those in the Americans with Disabilities Act. Haws manufactures drinking fountains and electric water coolers to be lead-free by all known definitions including NSF/ANSI Standard 61, Section 9, NSF/ANSI 372, California Proposition 65, and the Federal Safe Drinking Water Act. Product is compliant to California Health and Safety Code 116875 (AB 1953-2006).





**MOUNTING DETAIL**



BURY DEPTHS OF 48" [1219mm] AND 72" [1829mm]. WASTE TO BE 1-1/4" IPS MINIMUM TO A POROUS GRAVEL FILL OR MAIN SEWER LINE LOCATED BELOW FROST LINE (NOT SUPPLIED).

**6518.2FR VALVE ASSY**



1456 KLEPPE LANE  
SPARKS, NEVADA 89431  
(775) 359-4712 FAX (775) 359-7424  
E-MAIL: HAWS@HAWSCO.COM  
WEBSITE: WWW.HAWSCO.COM

ECN NO.	REVISED PER BY:	MODEL(S)	PART NUMBER
0508000	JDM	3511 FR	00020773691D
DATE:	CHKD:		REVISION
05/08/00	VWC		9
APPROVED:	DATE:	SCALE:	SIZE:
FV	04/21/15	1:14	A
		DRAWING TYPE:	SHEET
		INSTALLATION	1 OF 1