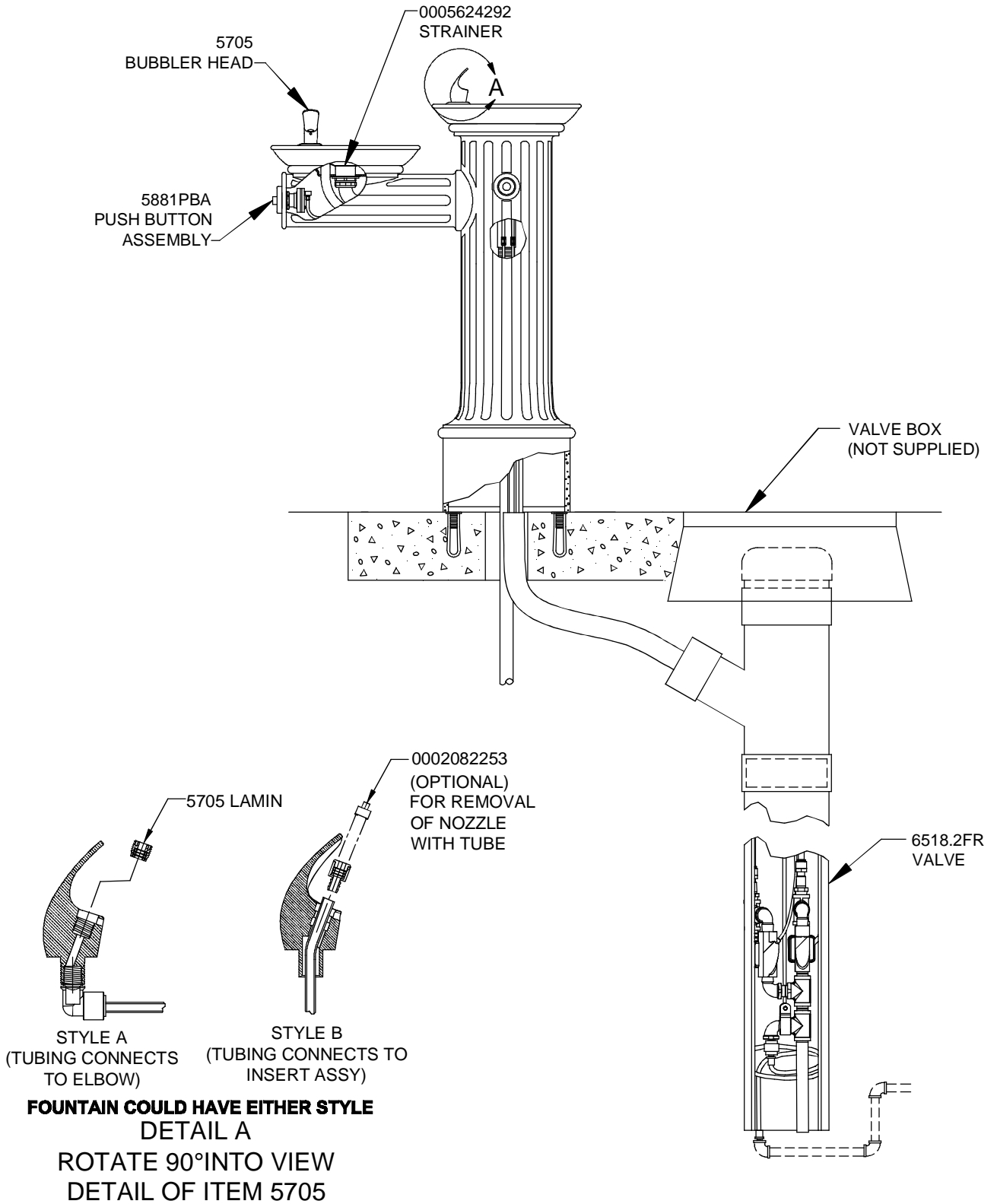


PARTS BREAKDOWN



FOUNTAIN COULD HAVE EITHER STYLE
DETAIL A
 ROTATE 90° INTO VIEW
 DETAIL OF ITEM 5705

		1455 KLEPPE LANE SPARKS, NEVADA 89431 (775) 359-4712 FAX (775) 359-7424 E-MAIL: HAWS@HAWS.CO.COM WEBSITE: WWW.HAWS.CO.COM	
		ECN NO. REVISED PER BY ECN: 4535 HM	MODEL(S) 3511FR
DRAWN P. McMULLEN	DATE 05/09/00	CHKD VWC	REVISION 9
APPROVED FV	DATE 04/21/15	SCALE:	DRAWING TYPE: PARTS BREAKDOWN SIZE: A SHEET 1 OF 1

WHEN ORDERING PARTS PLEASE SPECIFY MODEL NUMBER.