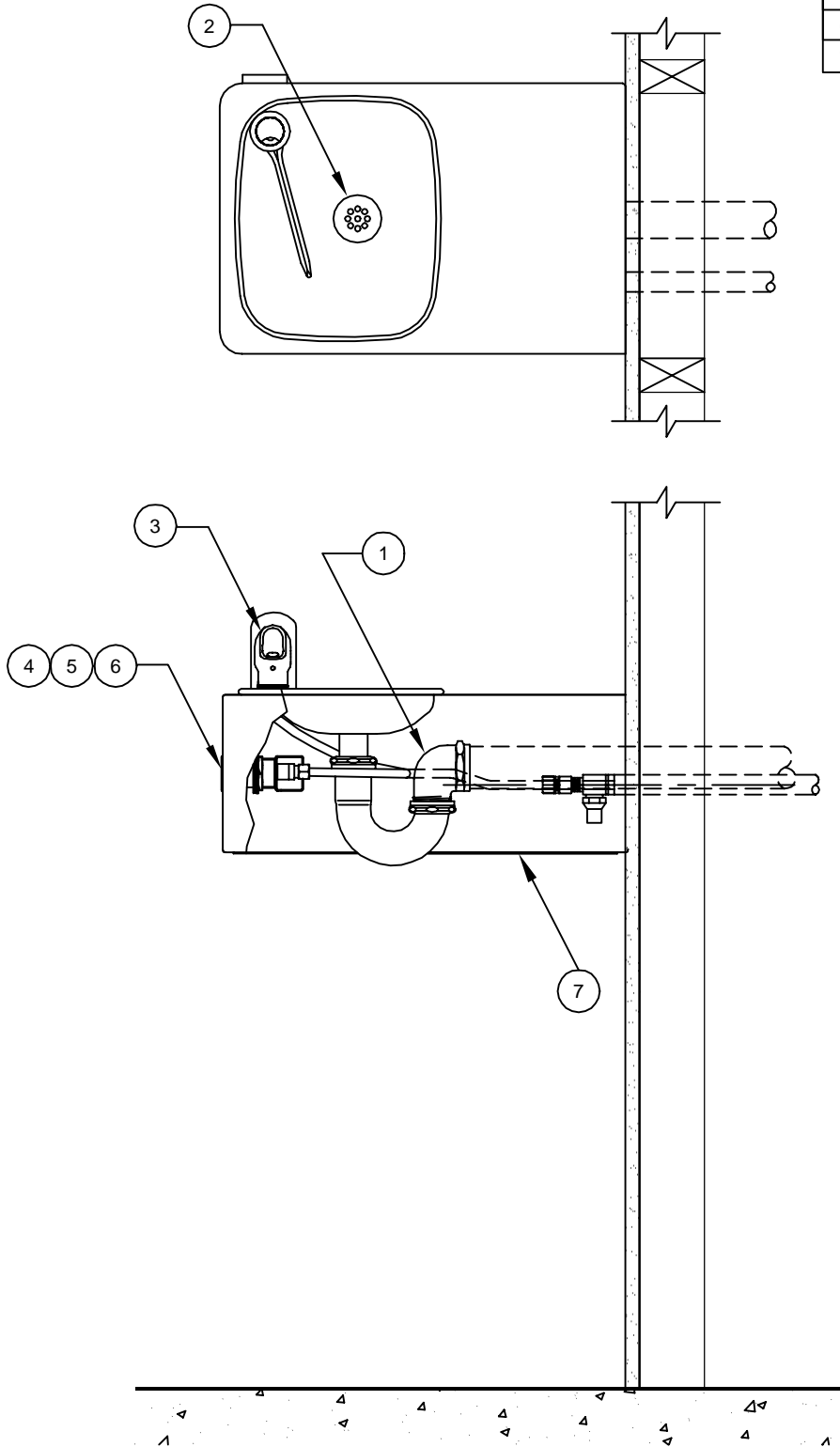


# PARTS BREAKDOWN

ITEM	DESCRIPTION
1	TRAP, P/N 0005987000
2	STRAINER ASSY 6466
3	HEAD 5703 0002848703
4	PUSH BTN ASS'Y PBA7
5	CARTRIDGE HF 0001632151
6	GASKET W/SCREEN 0002568123
7	ACCESS PLATE PBM1025



**WHEN ORDERING  
PARTS PLEASE  
SPECIFY YOUR  
MODEL NUMBER**



1455 KLEPPE LANE  
SPARKS, NEVADA 89431  
(775) 359-4712 FAX (775) 359-7424  
E-MAIL: HAWS@HAWS.CO.COM  
WEBSITE: WWW.HAWS.CO.COM

DRAWN BY: D. OLLOM	DATE: 11/25/95	CHECK BY:	APPROV BY:	SCALE: 1:4
TITLE: 1025/1025G			PART NUMBER: 0002076415	
DRAWING TYPE: PARTS BREAKDOWN			DRAWING NUMBER: 12780C00	REV: 13