



TRADITIONAL DRINKING FOUNTAINS

Special Application

MODEL M-PFS

PET FOUNTAIN

STANDARD FEATURES

Model M-PFS pet fountain features design simplicity. This unit includes a single aluminum alloy fountain bowl. The fountain is operated by a self closing spigot valve. Standard model is seasonal, not freeze resistant. Heavy-duty construction ensures durability and field-servicable components are easily accessible. Base is finished in *Chestnut Brown*.

SUGGESTED SPECIFICATIONS

Pet fountain shall be Murdock model M-PFS. Unit shall be furnished with one fountain bowl mounted on the pedestal.

Pedestal shall be a heavy duty iron casting and base of pedestal shall have four mounting holes. Pedestal shall be finished with a heavy grade of oil-based brown enamel.

Bowl shall be round, aluminum alloy casting two 3/8" holes for draining.

Spigot valve shall be self-closing, handle operated and constructed of cast brass with a rough chrome plated finish. Supply line shall be lead free brass piping with 1/2" NPT connection .

All solid brass castings shall conform to ASTM standards B61 and B62. Spigot valve conform with lead-free requirements of NSF61, Section 9, 1997 and Federal Public Law 111-380.



Standard Model: M-PFS

OPTIONS

(additional costs may be incurred)

- FRU1 Year-round freeze resistant ¹
(available only with PF option)
- PF Pet fountain with pushbutton valve ¹
- **Black** Pedestal color black
- **Green** Pedestal color green

Options Notes:

¹ See separate option sheet.

Custom color finishes available upon request.

Please visit www.murdockmfg.com
for most current specifications.



Member of
U.S. Green
Building
Council



Recyclable
Product



Water
Conserving
Product

Complies with the
following standards:



ANSI / NSF 61.9



Public Law
111-380
(No Lead)

MURDOCK MFG.

Member of
MORRIS GROUP
INTERNATIONAL

M-PFS

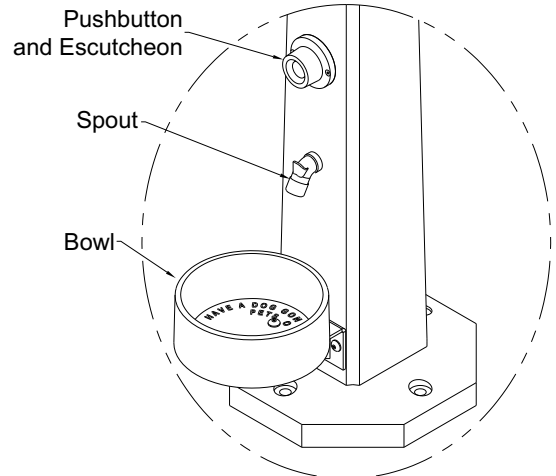
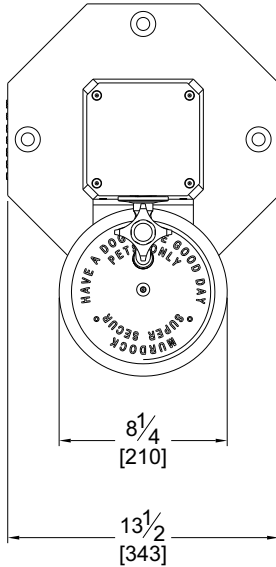
11/07/13



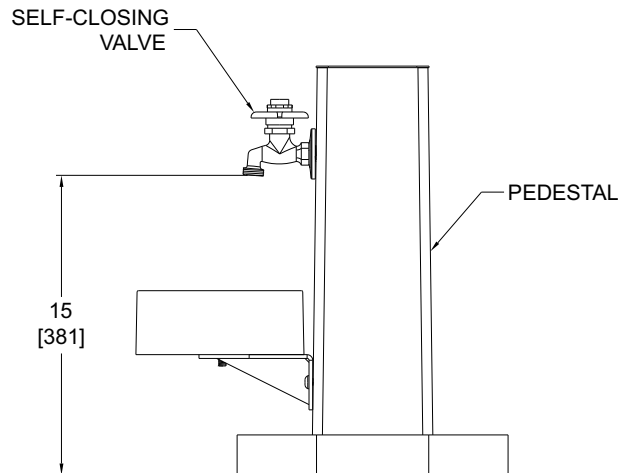
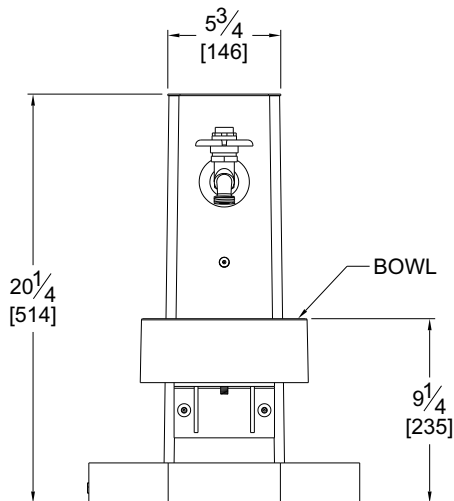
TRADITIONAL DRINKING FOUNTAINS

Special Application

MODEL M-PFS PET FOUNTAIN



OPTIONAL -PF PET FOUNTAIN



Murdock Mfg.™ warrants that its products are free from defects in material or workmanship under normal use and service for a period of one year from date of shipment. Murdock's liability under this warranty shall be discharged solely by replacement or repair of defective material, provided Murdock™ is notified in writing within one year from date of shipment, F.O.B. Industry, California.

SELECTION SUMMARY
& APPROVAL FOR
MANUFACTURING

Model Number & Options _____ Quantity _____

Company _____

Contact _____ Title _____

Signature _____ Date _____
(Approval for Manufacturing)

All dimensions are subject to manufactures tolerance of plus or minus 1/2" nominal and subject to change without notice. Murdock assumes no responsibility for use of void or superseded data. Dimensions may change with the addition of optional accessories. Murdock Mfg.™, Member of Morris Group International™. Please visit www.murdockmfg.com for most current specifications.

MURDOCK MFG.

Member of
MORRIS GROUP
INTERNATIONAL

M-PFS

11/07/13