

ELKAY[®] SPECIFICATIONS

MODEL LK4420DB

GENERAL

Steel Outdoor Dual Station Fountain with rounded corner design, heavy-duty steel with textured powder-coat finish and E-Coat immersion for year-round beauty with minimum maintenance. The E-Coat immersion process coats the inside and outside for the ultimate in corrosion protection.

BUBBLER

Vandal-resistant bubbler is one-piece, heavy-duty construction. Unit has integral hood guard design to prevent contamination from other users, airborne deposits and tampering.

BASIN

Contour-formed stainless steel design with rounded edges reduces splatter, ensures proper drainage and prevents standing water.

PUSHBUTTON ACTUATION MECHANISM

Self-closing, vandal-resistant pushbutton does not require grasping or twisting.

INLET STRAINER

Easily cleaned in-line strainer screen traps particles of 140 microns or larger before they enter the waterway.

WATER INLET & DRAIN OUTLET

Inlet: 3/8" O.D. Tubing

Outlet: 1-1/2" tube outlet for 1-1/2" slip joint connection

ACCESS PANELS


Heavy-gauge steel with vandal-resistant screws. Provides access for easy hook-up of all plumbing connections.

PET FOUNTAIN

Actuated by upper pushbutton. Slow drainage feature for easy drinking.

SUGGESTED SPECIFICATIONS

Unit shall include powder-coated finish with vandal-resistant pushbutton actuation, vandal-resistant bubblers with integral hood guard, and contour-formed rounded basins to reduce splash and prevent standing water. Fountain shall comply with ANSI 117:1 and ADA for visual and motion disabilities. The manufacturer shall certify the unit to meet the requirements of NSF/ANSI 61, and the Safe Drinking Water Act.

| Model | Color Option |  C USA | |
|-----------|---------------------------------|--|-----------------------|
| | | ADA Compliant | NSF/ANSI 61 Certified |
| LK4420DB* | (Refer to Finish Color Options) | • | • |

* Select color option to complete model number. Example: LK4420DBEVG

Outdoor Tubular Fountain

Dual Station with Pet Fountain



Model LK4420DB is shown.

Now Available in 12 Colors!



FINISH COLOR OPTIONS – Choose color option to complete your model number, add as suffix example: LK4420DBEVG

Matte finish: Evergreen = EVG

Gloss finish:

- | | | |
|--------------------------------------|---------------------------------------|---|
| <input type="checkbox"/> Beige = BGE | <input type="checkbox"/> Gray = GRY | <input type="checkbox"/> Terracotta = TER |
| <input type="checkbox"/> Black = BLK | <input type="checkbox"/> Orange = ORN | <input type="checkbox"/> White = WHT |
| <input type="checkbox"/> Blue = BLU | <input type="checkbox"/> Purple = PUR | <input type="checkbox"/> Yellow = YLW |
| <input type="checkbox"/> Brown = BRN | <input type="checkbox"/> Red = RED | |

OPTIONS

- Hose Bib (Locking) - LK4471LHB* (Choose color option to complete your model number)
- Hose Bib (Non-Locking) - LK4470NLHB* (Choose color option to complete your model number)
- Direct Bury Kit - 97890C

This specification describes an Elkay product with design, quality and functional benefits to the user. When making a comparison of other producer's offerings, be certain these features are not overlooked.

In keeping with our policy of continuing product improvement, Elkay reserves the right to change specification without notice. Please visit elkay.com for the most current version.

MODEL 4420DB

Outdoor Tubular Dual Station with Pet Fountain

OPERATING PRESSURES:
Supply water 20 – 105 psi maximum

MOUNTING INSTRUCTIONS and PLUMBING CONNECTIONS

Provide solid, well-drained surface to mount pedestal fountain (concrete pad recommended) with adequate support (300 lb. load minimum). (8) 3/8" minimum fasteners (not included) should be attached firmly to mounting surface in order to secure unit. (Refer to rough-in diagram)

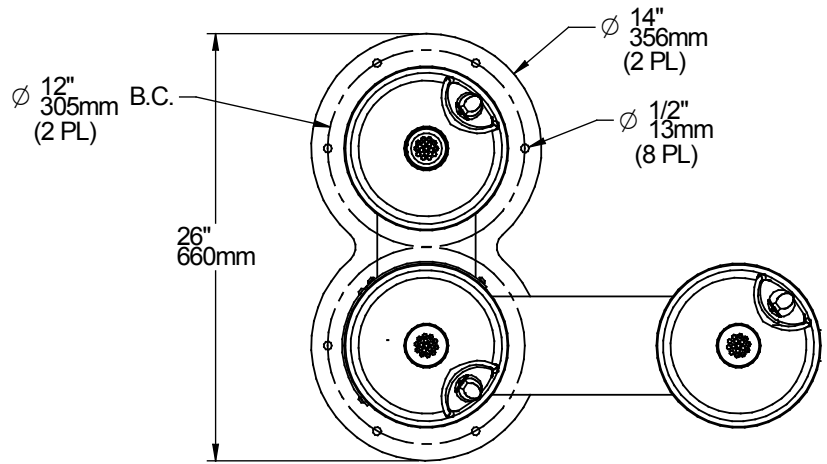
Modified low stream height bubbler for pet fountain.

Locate and install plumbing through ground as required.
NOTE: Unit is not furnished with service valve.

Position pedestal over plumbing and secure base to fasteners. Remove access panels and connect supply and water lines. Turn on water supply and check for leaks. Reassemble access panels to pedestal.

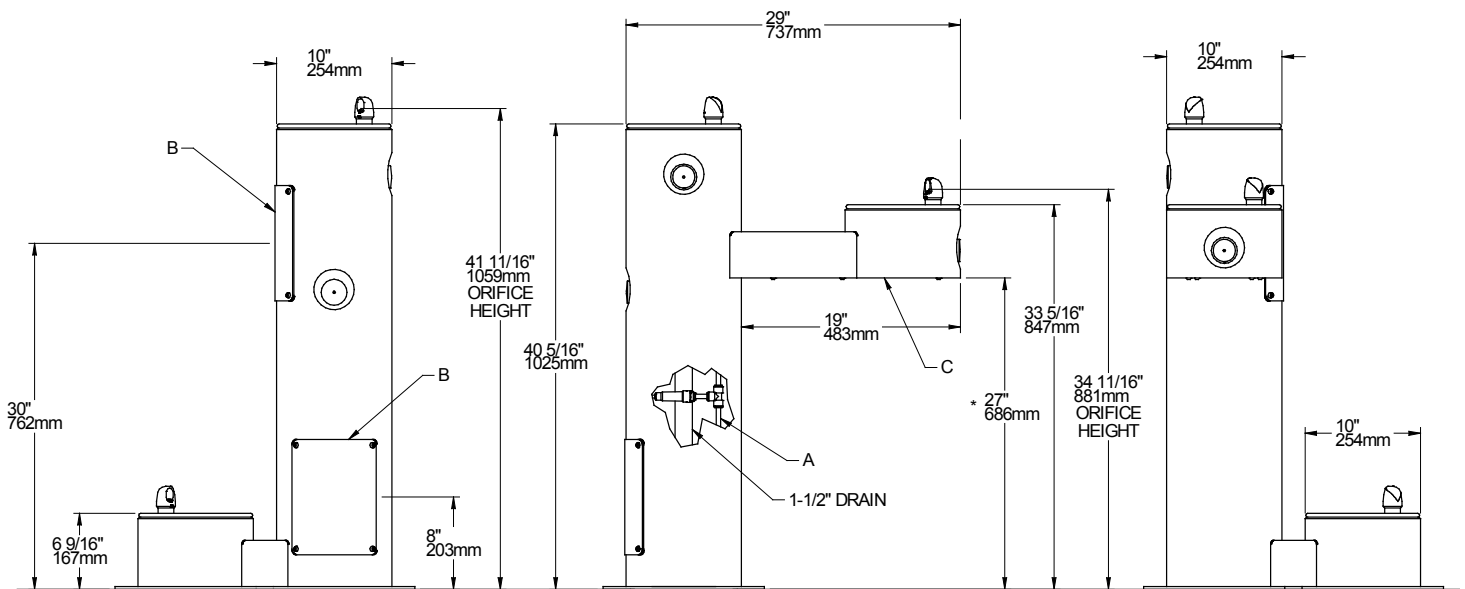
Trap and service stop not included.

TOP VIEW



BACK VIEW

SIDE & FRONT VIEWS



* ADA Requirement

A = 3/8" O.D. UNPLATED COPPER TUBE CONNECT
SHUT OFF VALVE BY OTHERS
B = ACCESS PANEL (8" x 10")
C = REMOVABLE BOTTOM COVER