



## BRACKET MOUNTED DRINKING FOUNTAIN F120

### Suggested Specification

Model F120 is a non-refrigerated drinking fountain for direct connection to a cold water supply or for use with remote water chillers. Cabinet finish shall be brushed stainless steel. Shall comply with ANSI 117.1. Shall be listed by Underwriters Laboratories to US and Canadian standards. Shall comply with ANSI/NSF 61 and NSF/ANSI 372.

### Models

F120 is a non-refrigerated drinking fountain for direct connection to a cold water supply or for use with remote water chillers.

### Standard Features

- Waterways are Lead-Free in materials & construction
- Dial-A-Drink® bubbler
- Chrome-plated brass strainer
- Satin finish stainless steel
- Stainless steel basin
- Tailpiece

### Finishes

Standard cabinet finish: Stainless steel

### Installation

- Prior to roughing consult with local, state and federal codes for proper mounting height
- Shipped with complete instructions and wall mounting bracket

### Limited 1-Year Warranty

(Continental limits of the United States and Canada)  
One year from date of installation on parts only

### Export Warranty

One year on components parts. Detailed warranty certificate enclosed with each drinking fountain; sample copy available upon request.

### Certifications/Compliance

- Oasis International Electric Water Coolers are listed by Underwriters Laboratories Inc. and comply with both U.S. and Canadian Requirements.
- Product Certified to NSF/ANSI Standard 61-G & 372 and conforms with the lead content requirements for “Lead Free” plumbing as defined by California, Vermont, Maryland, and Louisiana state laws and the U.S. Safe Drinking Water Act.



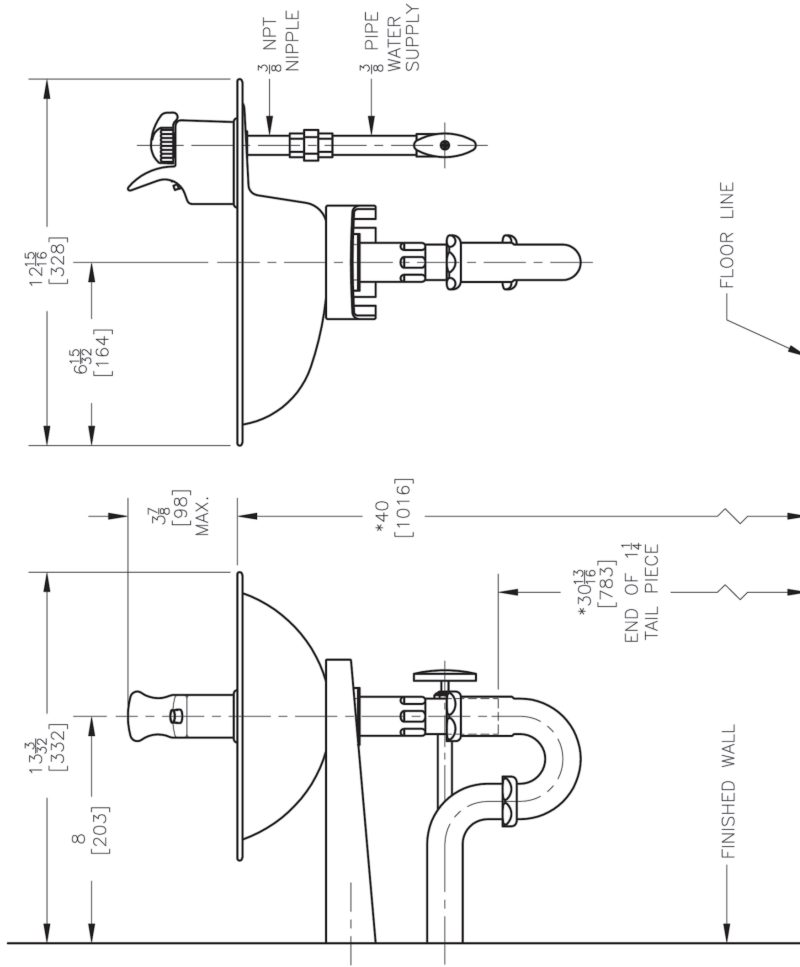


**TOLL FREE: 800-442-6622**  
**PITTSBURGH: 412-781-9100**  
[www.equiparts.net](http://www.equiparts.net)  
*That Hard to Find Part is Right Here !*

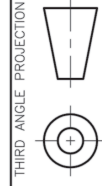
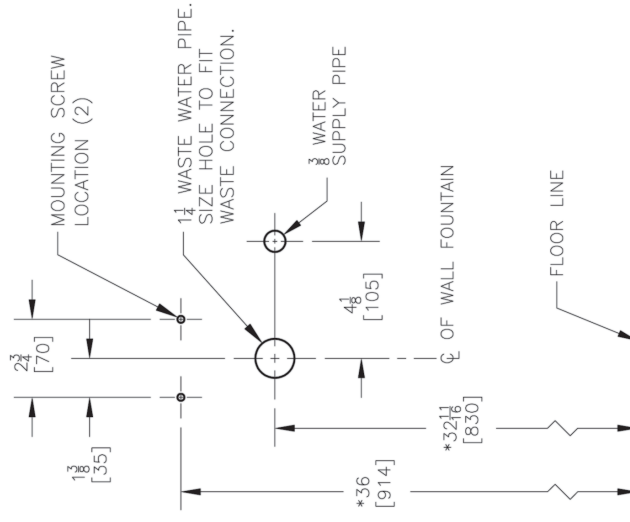
Physical Dimensions In Inches						
Model	Style	Height	Width	Depth	Extended From Wall	Net Wight Approx.
F120	Bracket Mounted	9 3/16"	13"	13 3/32"	13 3/32"	6 lbs

OASIS® MOUNTED DRINKING FOUNTAIN MODEL F120

DIMENSIONAL DRAWING



ROUGHING-IN DRAWING



ROUGHING-IN AND DIMENSIONAL DRAWING

NOTES:

- TRAP, FIXTURE STOP VALVE, 3/8 WATER SUPPLY PIPES, AND UNION NOT FURNISHED WITH DRINKING FOUNTAIN.
- RECOMMENDED ADULT HEIGHT INSTALLATION SHOWN. ADJUST VERTICAL DIMENSIONS AS REQUIRED TO COMPLY WITH FEDERAL, STATE AND LOCAL CODES.
- ALL DIMENSIONS ARE IN INCHES. DIMENSIONS IN BRACKETS [ ] ARE IN MILLIMETERS.
- THE FOLLOWING STATES REQUIRE A LICENSED PLUMBER TO INSTALL FOUNTAIN; AR, GA, MA, MI, OK, RI, SC, SD, TX, VT AND WI. CA, KS, MN, NM, AND OR ALLOW FOR A STATE REGISTERED INSTALLER OR CONTRACTOR AS WELL. STATE AND LOCAL PLUMBING CODES MAY PROHIBIT THE USE OF SADDLE TAPPING VALVES FOR WATER LINE CONNECTION IN SOME APPLICATIONS. ALL CONNECTIONS MUST CONFORM TO APPLICABLE PLUMBING CODES.

