



We Know Water.

COOLER TO BOTTLE FILLER CONVERSION KIT

• NNEBFPG

Suggested Specification

Model NNEBFPG shall retrofit to existing OASIS PG*AC and P*AC series water coolers to provide contactless activation and laminar flow. Retrofits to both single and split level models. Model NNEBFPG shall include the VersaFiller® Bottle Filler. Bottle Filler alcove and cabinet finish shall be stainless steel. Key VersaFiller components contain Freshield®, which utilizes a silver-based antimicrobial compound to protect the surfaces from discoloration, odors and degradation caused by the growth of micro-organisms and mildew.

- Features:**
- Waterways are lead-free in materials & construction
 - Heavy duty galvanized steel frame
 - Bottle filler replaces bubbler, button activation, existing top and front panel
 - Bottle filler retro-fits to the existing water cooler without removing it from the wall
 - Re-uses existing refrigeration, plumbing and power source
 - Ample space within the bottle filler cabinet to add filtration, including all OASIS filters
 - Access through the side of the bottle filler cabinet for clean and easy replacement of filters
 - Built-in filter monitor and bottle counter
 - Logos permanently formed into the alcove and stainless steel wrapper
 - LED lighted alcove
 - Compatible with refrigerated and non-refrigerated fountains

Filtration:	Utilizes existing filtration if applicable. Option to add filtration to bottle filler cabinet.
Power:	115 Volts, 60 Hz
Activation By:	Contactless Sensor
Mounting Type:	Wall Mounted
Chilling Option:	Utilizes existing refrigeration system if applicable
Full Load Amps:	0.4 amps
Rated Watts:	20
Approx. Net Weight:	22 lbs
Installation Location:	Indoor



*Drinking Fountain
Not Included

Installation

- Prior to roughing in, consult with local, state and federal codes for proper mounting height
- Shipped with complete instructions and wall mounting bracket

Options

- OASIS VersaFilter III Kit 041253-001

Limited 1-Year Warranty

(Continental limits of the United States and Canada)
One year on components parts. Detailed warranty certificate enclosed with each bottle filler; sample available upon request.

Export Warranty

One year on components parts. Detailed warranty certificate enclosed with each bottle filler; sample copy available upon request.

Compliance

Complies with the requirements of ADA (Americans with Disabilities Act) when properly installed



TOLL FREE: 800-442-6622
PITTSBURGH: 412-781-9100
www.equiparts.com

That Hard to Find Part is Right Here!

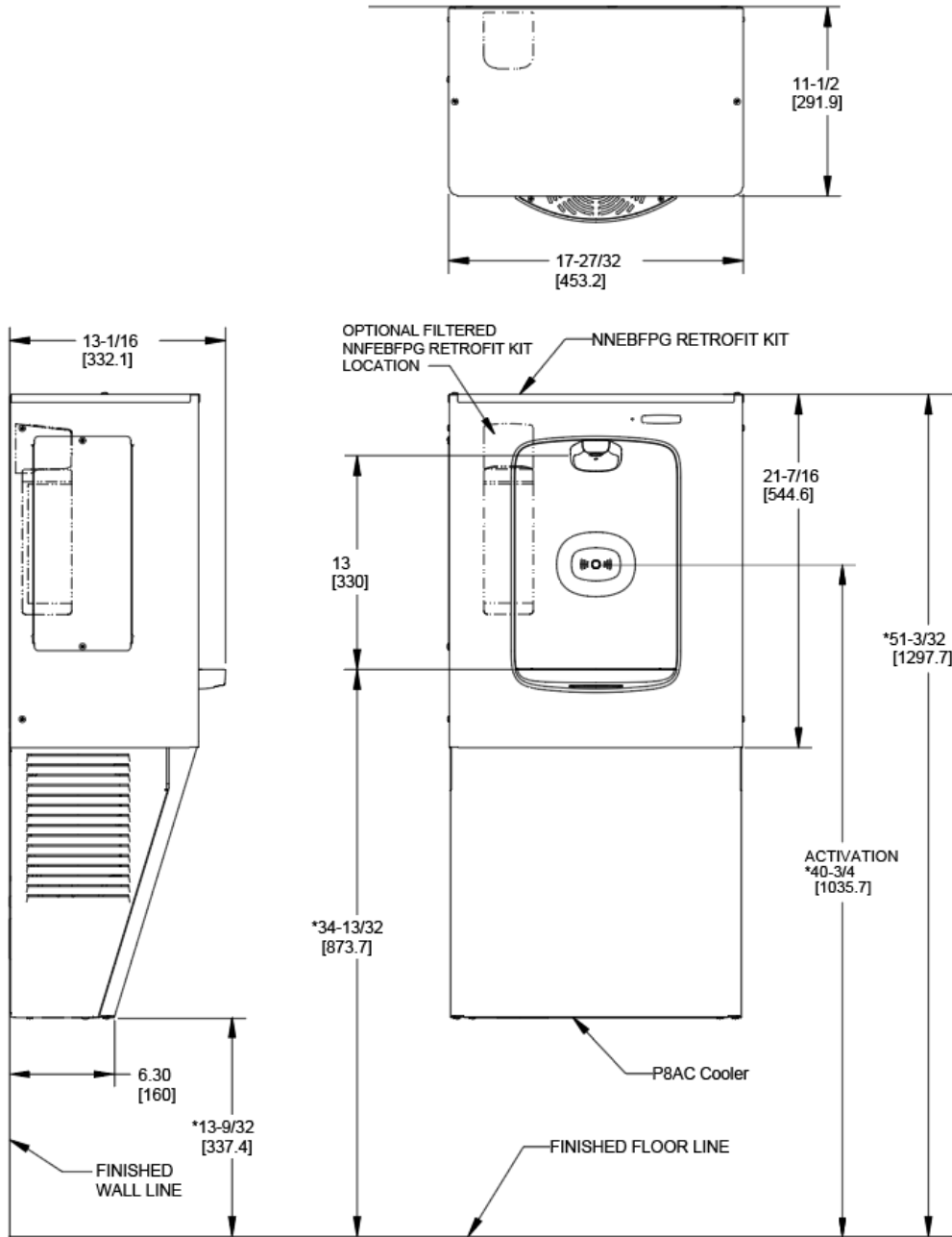


WARNING:
Cancer and Reproductive Harm
www.P65Warnings.ca.gov



Specifications subject to change without notice

COOLER TO BOTTLE FILLER CONVERSION KIT



NOTES:

1. * DIMENSIONS ARE REFERENCE ONLY.
2. ALL DIMENSIONS ARE IN INCHES. DIMENSIONS IN BRACKETS [] ARE IN MILLIMETERS.

