

WF1EZ

1500-GALLON CAPACITY EZ DOOR[®] FILTER

(Patent Pending)

STANDARD FEATURES

- Industry Leading Innovation 30-Second Filter Replacement!
- Optionally Available for New A171 & A172 Series Models
- Retrofits Existing A171 and A172 Series Models (Manufactured After October 2022)
- 1500-Gallon Lead, Chlorine and Cyst Reduction Filter
- NSF 42+53 Certified,* Lead Reduction to 1 Micron
- Complete Kit with All Components for Easy Installation

* Certification to NSF is through a third party filter manufacturer.

SUGGESTED SPECIFICATIONS

Provide Murdock[®] Drop Down Filter Accessory WF1EZ 1500-Gallon Capacity EZ Door[®] Filter. Accessory unit shall include single Lead/Cyst Reduction Filter with 1500-Gallon capacity. Following installation, Filter assembly will be held in place within Housing. Drop Down Door and Filter assembly shall be accessed by removing stainless steel Allen Head Fasteners. The filter shall be for cold water use only and operate at temperatures of 35°F - 100°F [2°C - 38°C]. Operating pressure is not to exceed 125 psig. Capacity is 1500 gallons with a flow rate of 0.5 gpm [1.9 lpm]. Filter shall adhere to NSF 42+53 with lead reduction to one (1) micron.

MODEL: (Must Specify)

- WF1EZ 1500-Gallon Capacity EZ Door[®] Filter
(Patent Pending)

REPLACEMENT FILTERS:

Refer to Murdock[®] Accessory Model RWF1 for Replacement 1500-Gallon Filters (sold separately).



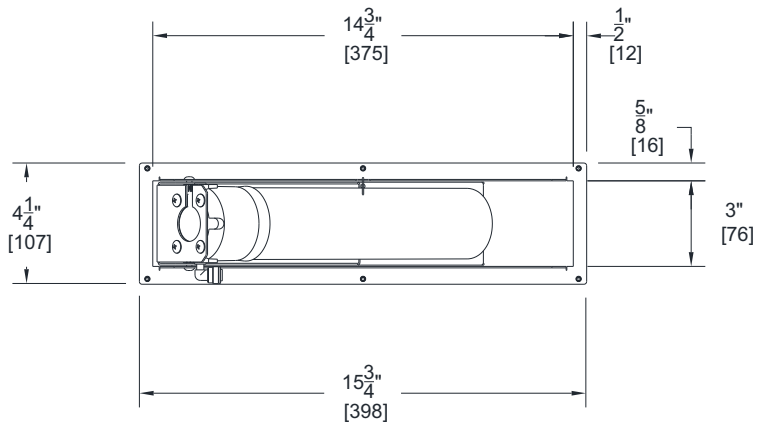
⚠ WARNING: Cancer and Reproductive Harm - www.P65Warnings.ca.gov



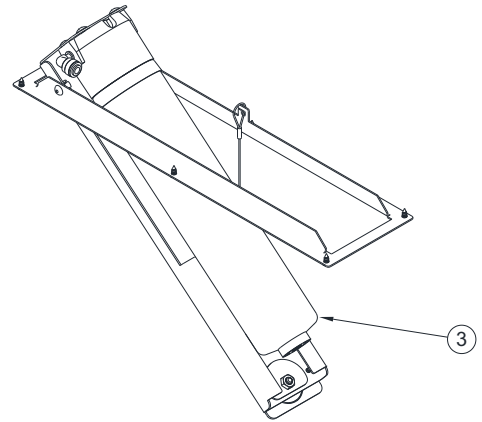
(Shown as shipped)



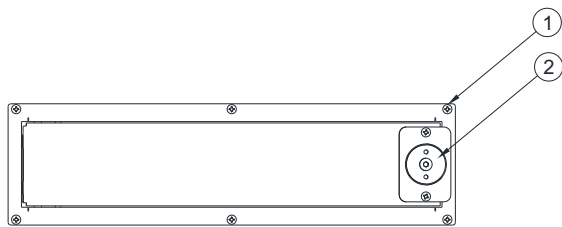
(Shown in open position, following installation)



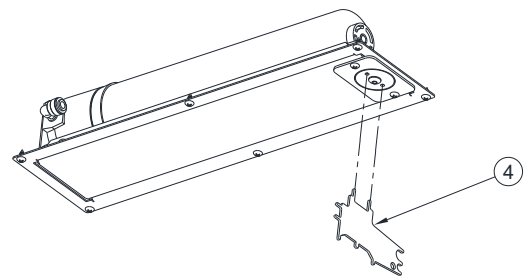
TOP VIEW



ANGLED VIEW OPEN LATCH



FRONT VIEW



ANGLED VIEW CLOSED LATCH

NOTES:

1. (6) #8 x 3/8" Long Stainless Steel Screws
2. Latch Locking Mechanism
3. Model -WF1 Filter Cartridge Assembly
4. Fixture Maintenance Tool (Required to Open and Close Latch. Provided with Drinking Fountain.)

EQUIPARTS
Repair Parts Specialists[®]

TOLL FREE: 800-442-6622
PITTSBURGH: 412-781-9100

www.equiparts.com

That Hard to Find Part is Right Here !