



We Know Water.

VERSAFILLER® RETROFIT KIT

• PWSBF

Suggested Specification

When retrofitted to either the PG8AC or P8AM, the PWSBF bottle filler has independent push button manual activation and laminar flow. VersaFiller alcove and cabinet shall be stainless steel. Key plastic components contain Freshield®, which utilizes a silver-based antimicrobial compound to protect the surfaces from discoloration, odors and degradation caused by the growth of micro-organisms and mildew.

When retrofitted to either the PG8AC or P8AM the VersaFiller models satisfy ANSI A117.1 and ADA requirements when properly installed. Units also meet guidelines for children's accessibility providing the floor to orifice height is 30 inches and proper clear floor space is provided for frontal approach. Shall be listed by Underwriters Laboratories to US and Canadian standards. Shall comply with NSF/ANSI 61 and NSF/ANSI 372.

Features:	<ul style="list-style-type: none"> Waterways are lead-free in materials & construction Heavy duty galvanized steel frame Surface mount frame assembly VersaFiller has independent mechanical activation Ample space within the bottle filler cabinet to add filtration, including all OASIS filters Access through the top of the bottle filler for clean and easy replacement of filters with Tilt 'N Tether Logos permanently formed into the alcove and stainless steel wrapper
Filtration:	Utilizes existing filtration if applicable. Option to add filtration to top of bottle filler
Chilling Options:	Utilizes existing refrigeration system if applicable
Activation By:	Independent Manual Activation on Bottle Filler
Mounting Type:	Wall Mounted
Chilling Option:	Utilizes existing refrigeration system if applicable
Approx. Net Weight:	16 lbs.
Installation Location:	Indoor

The PWSBF VersaFiller is designed to retrofit existing OASIS PG8AC and P8AM pressure cooler models. Units with optional glass fillers must have the glass filler disconnected and removed.

WARNING:
Cancer and Reproductive Harm
www.P65Warnings.ca.gov

*Industry standard rating condition at 90°F ambient, 80°F inlet water and 50°F drinking water temperature



Installation

- Prior to rough-in consult with local, state, and federal codes for proper mounting height.
- Shipped with complete instructions and wall mounting brackets.

Finishes

- VersaFiller cabinet finish is stainless steel

Options

- Elkay Adapter Gasket 041114-001 - Required
- OASIS Versafilter III Kit 041253-001

Limited 1-Year Warranty

(Continental limits of the United States and Canada)
One year on components parts. Detailed warranty certificate enclosed with each water cooler; sample available upon request.

Export Warranty

One year on components parts. Detailed warranty certificate enclosed with each drinking fountain; sample copy available upon request.

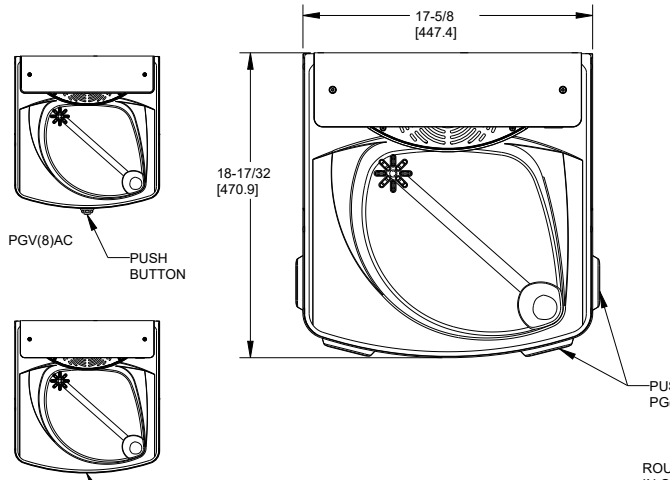
Certifications/Compliance

- Certified to UL 399 and CAN/CSA C22.2 No.120 (electric water coolers only)
- Product Certified to NSF/ANSI Standard 61-G & 372 and conforms with the lead content requirements for "Lead Free" plumbing as defined by California, Vermont, Maryland, and Louisiana state laws and the U.S. Safe Drinking Water Act
- These water coolers comply with the requirements of ADA (Americans with Disabilities Act) when properly installed



Specifications subject to change without notice

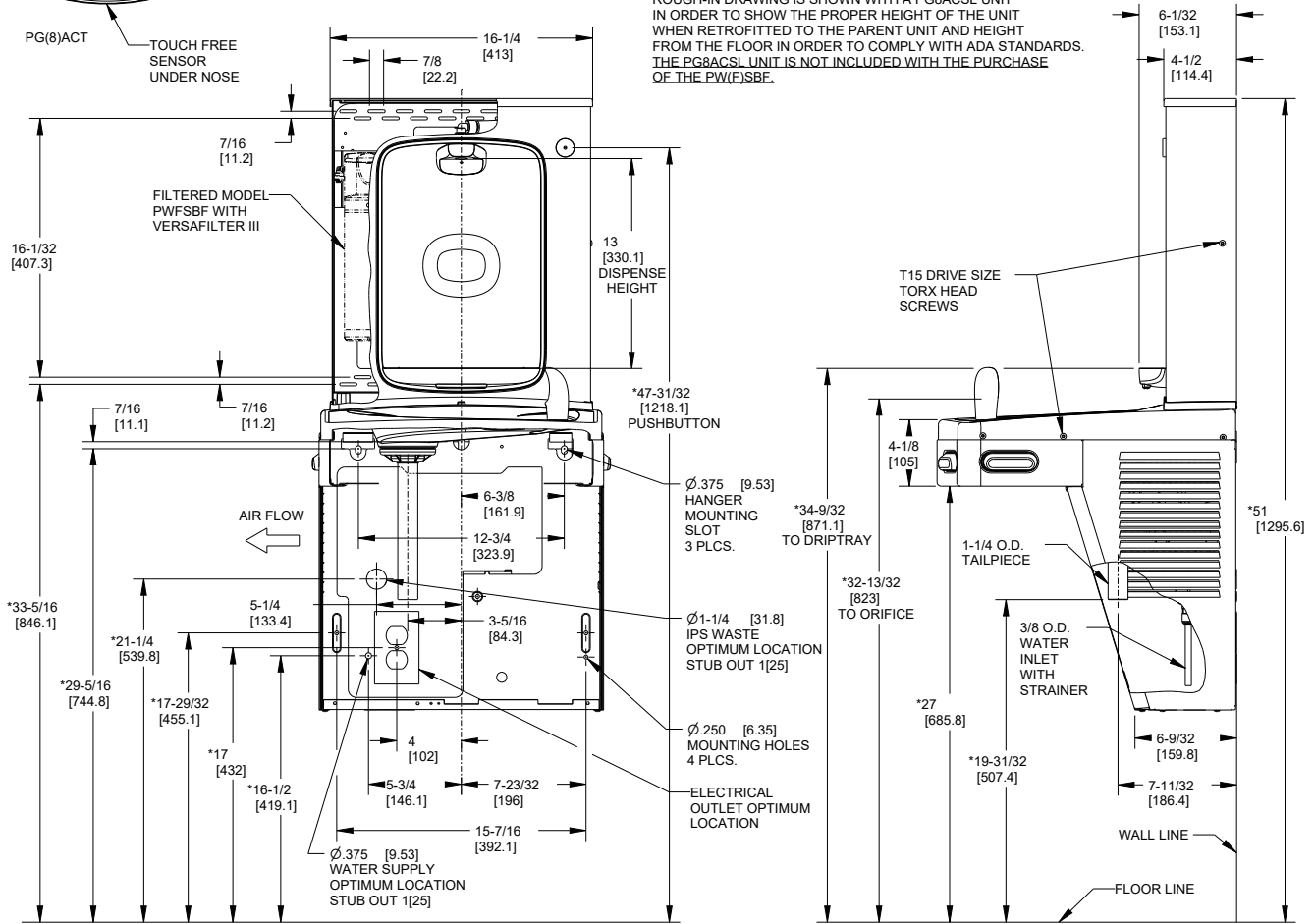
OASIS® PWSBF VERSAFILLER RETROFIT KIT



NOTES:

1. TRAP, STOP VALVE AND ELECTRICAL OUTLET NOT FURNISHED.
2. ALLOW 4 INCHES [102MM] MIN. PER SIDE FOR VENTILATION.
- * 3. RECOMMENDED ADULT BARRIER FREE HEIGHT UNINSTALLATION SHOWN. REDUCE HEIGHT BY 3 INCHES FOR INSTALLATIONS USED PRIMARILY BY CHILDREN AGES 12 AND YOUNGER. UNIT SHALL ALSO HAVE A MINIMUM CLEAR FLOOR SPACE 20[760] BY 48[1220]. ADJUST VERTICAL DIMENSIONS AS REQUIRED TO COMPLY WITH FEDERAL, STATE, AND LOCAL CODES.
4. 115V GROUNDED NORTH AMERICAN DUPLEX RECEPTACLE REQUIRED. THIS DRINKING WATER COOLER IS INTENDED TO BE CONNECTED TO A 20A MINIMUM GROUND FAULT CIRCUIT INTERRUPTING (GFCI) DEVICE TO MEET UL REQUIREMENTS.
5. ALL DIMENSIONS ARE IN INCHES. DIMENSIONS IN BRACKETS [] ARE IN MILLIMETERS.

ROUGH-IN DRAWING IS SHOWN WITH A PG8ACSL UNIT IN ORDER TO SHOW THE PROPER HEIGHT OF THE UNIT WHEN RETROFITTED TO THE PARENT UNIT AND HEIGHT FROM THE FLOOR IN ORDER TO COMPLY WITH ADA STANDARDS. THE PG8ACSL UNIT IS NOT INCLUDED WITH THE PURCHASE OF THE PWSBF.



EQUIPARTS
Repair Parts Specialists

TOLL FREE: 800-442-6622
PITTSBURGH: 412-781-9100

www.equiparts.com

That Hard to Find Part is Right Here !