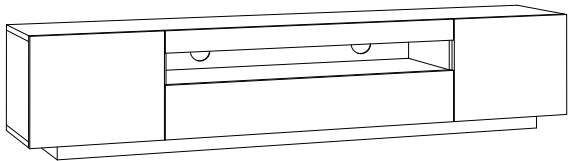


LOFT



## SAMSO TV CABINET

Assembly instructions

Version 2.0

## ASSEMBLY INSTRUCTIONS

Read these instructions carefully and keep for future reference. refer to parts inventory for guidance, and ensure you have all pieces before starting. when assembling, place all parts on a soft, lean and flat surface such as a carpet to prevent scratches.

If you're having difficulty, our friendly Customer Care team is always here to help. Email us at email [info@loftdesigncompany.ca](mailto:info@loftdesigncompany.ca) we're more than happy to help or assist.



TIME

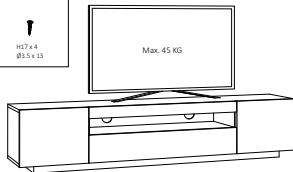
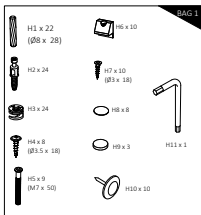


# OF PEOPLE

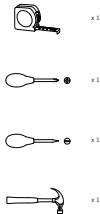


DIFFICULTY

## HARDWARE LIST

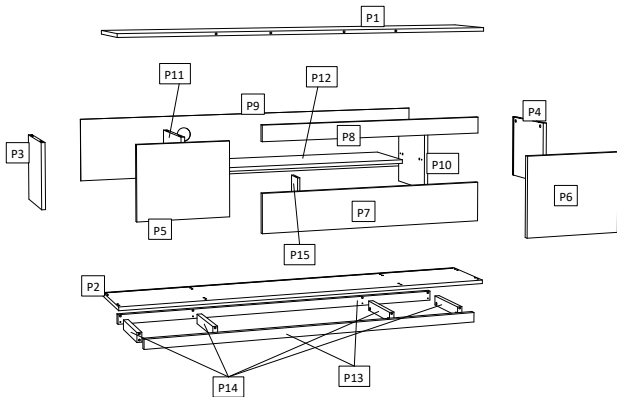


## TOOLS NEEDED

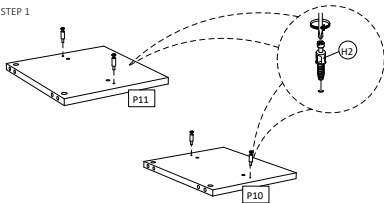


# PART LIST

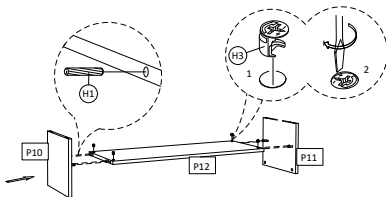
LOFT



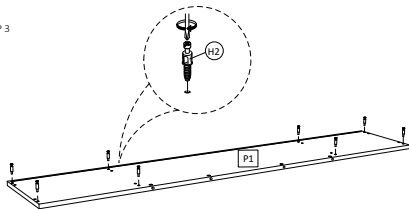
STEP 1



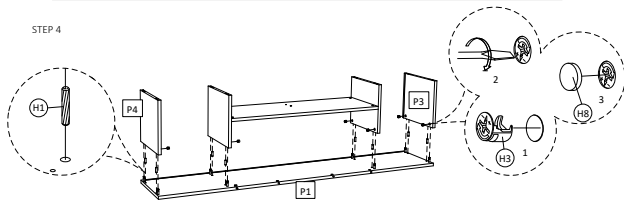
STEP 2



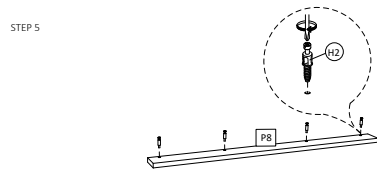
STEP 3



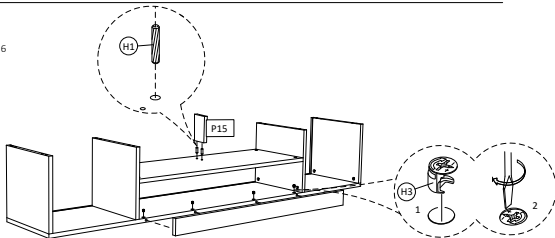
STEP 4



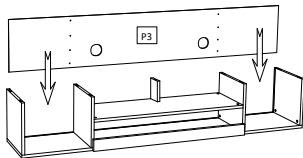
STEP 5



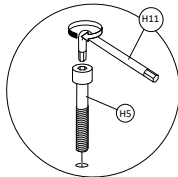
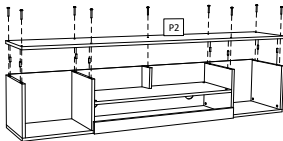
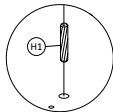
STEP 6



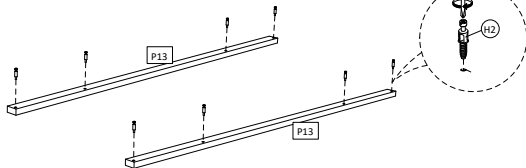
STEP 7



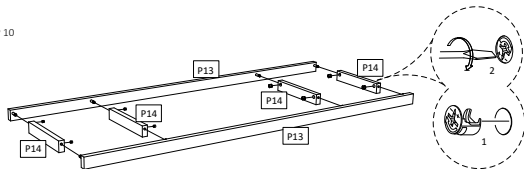
STEP 8



STEP 9

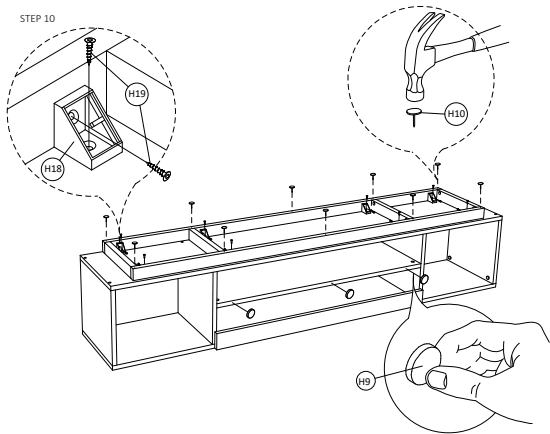


STEP 10

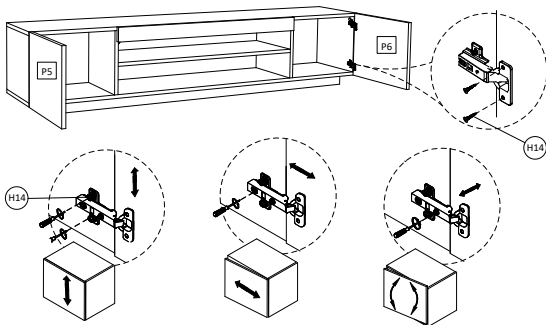
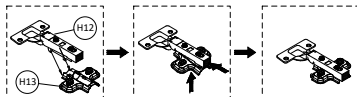




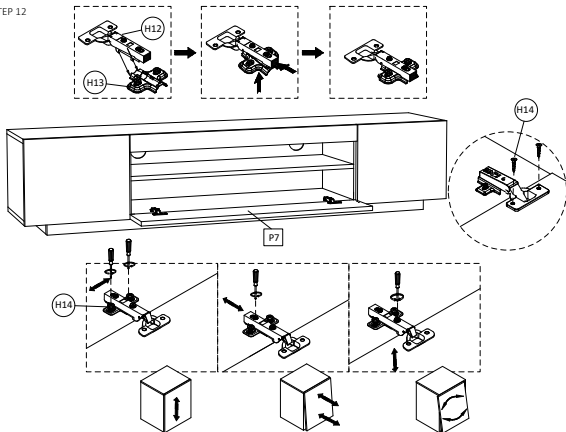
STEP 10



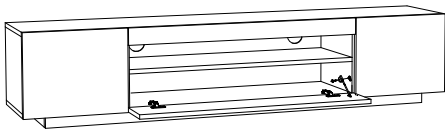
STEP 11



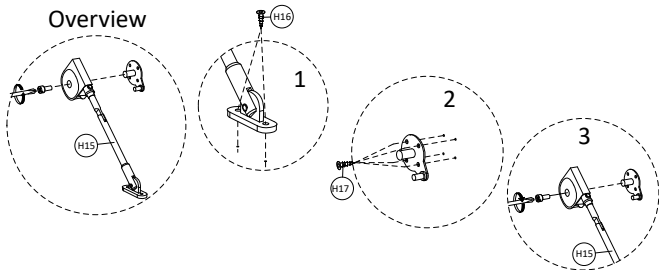
STEP 12



STEP 13



## Overview



STEP 14

