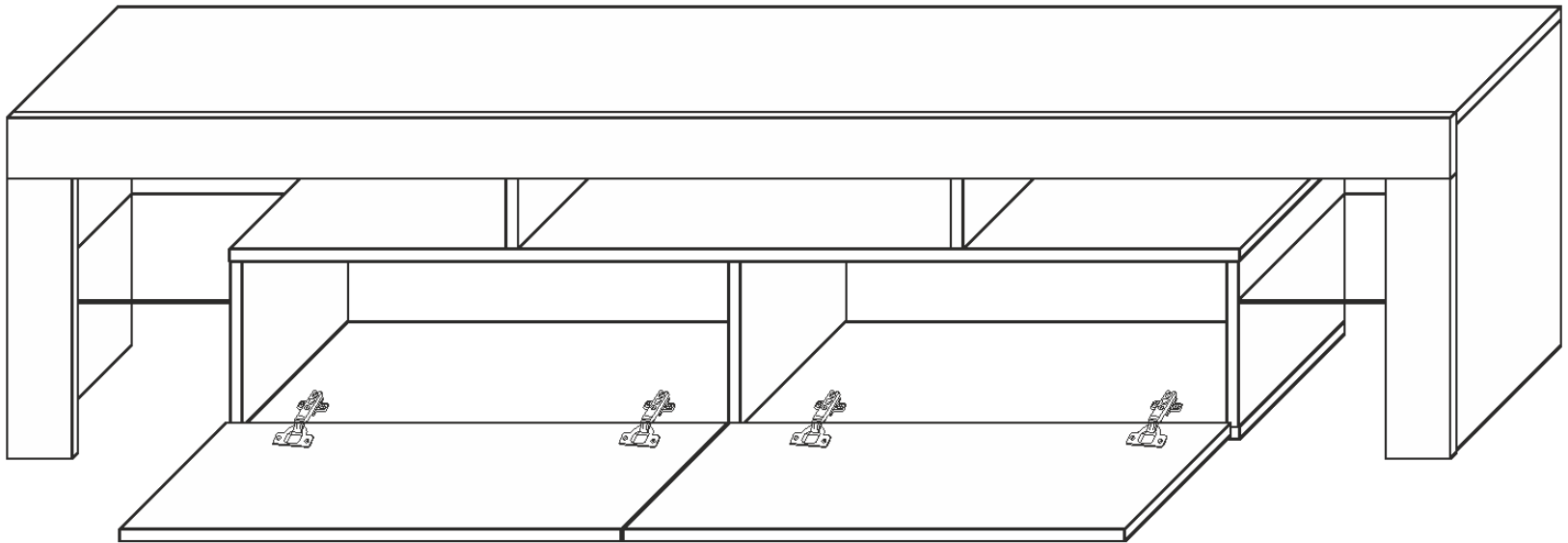


LOFT

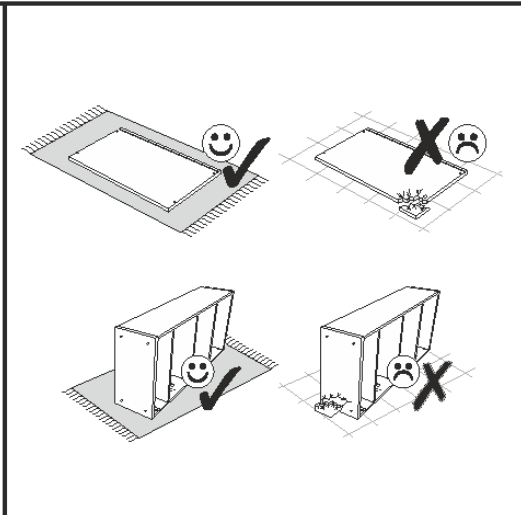
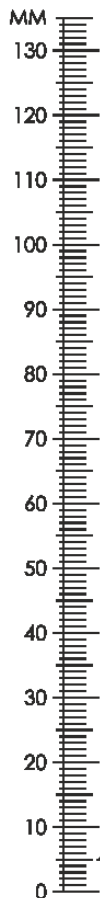
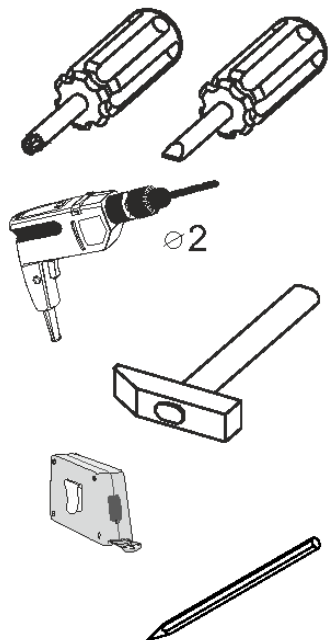
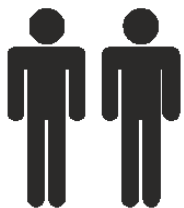
COPENHAGEN TV Cabinet



# ASSEMBLY INSTRUCTIONS

Model: TV 190

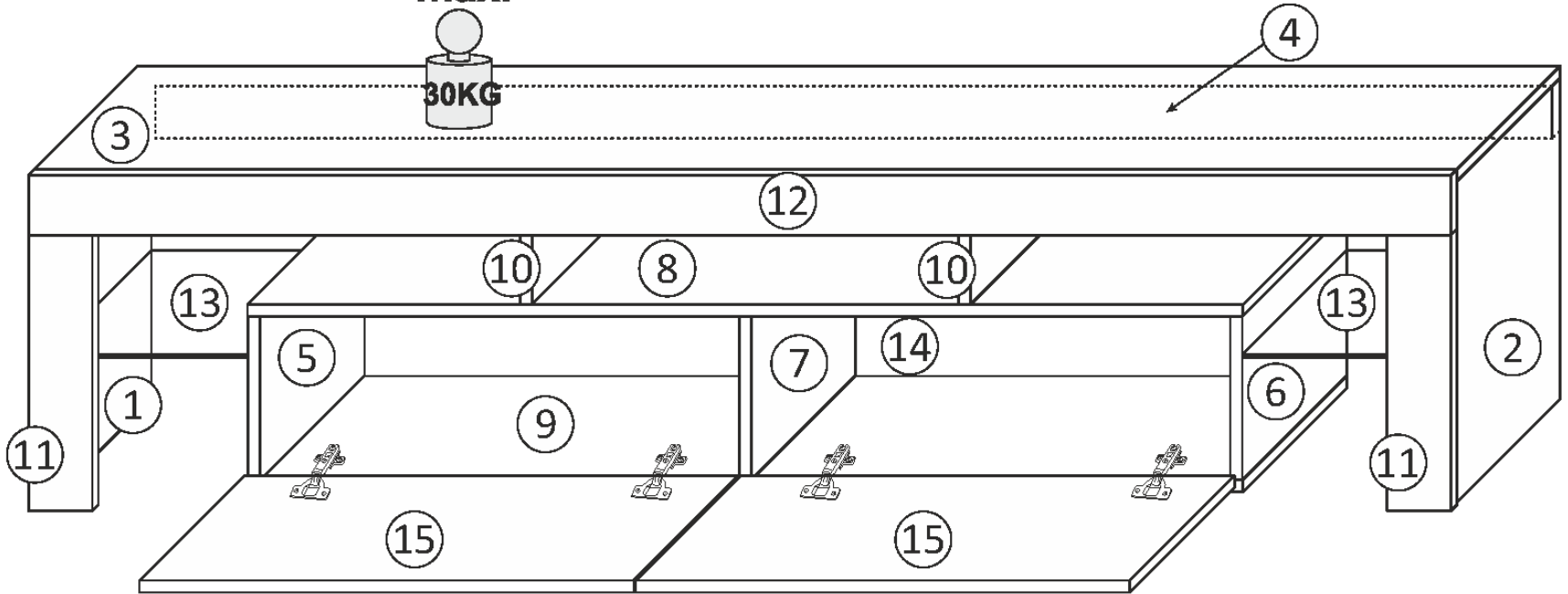
Use the following for assembly:
















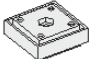
**Care notes!**  
Please wipe with dust cloth or slightly damp rubber.  
Do not use scrubbing or cleaning agents on cabinet.

max.

30KG



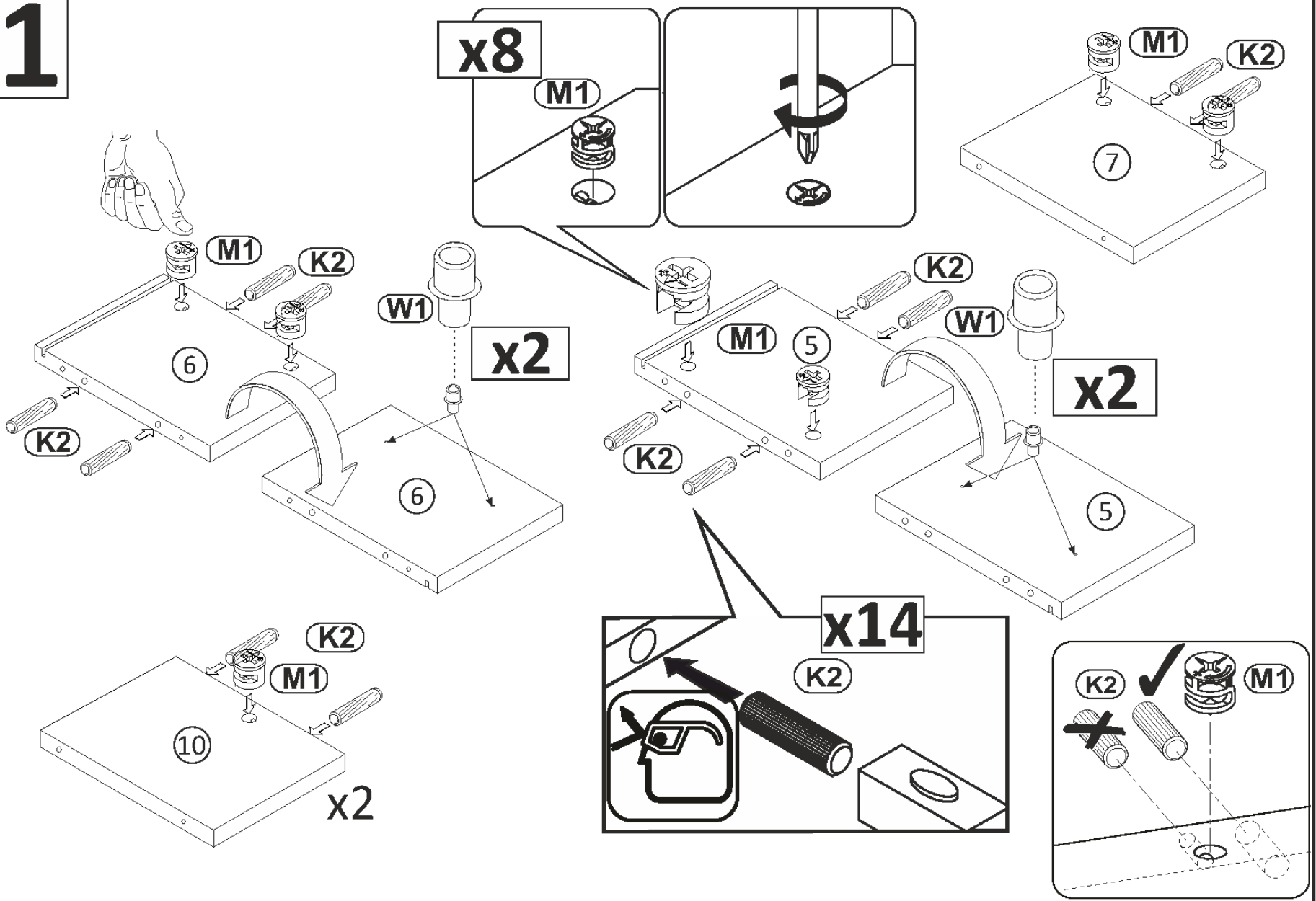
### Bag 1

<b>K2</b>  8x28 x22	<b>T1</b>  x26	<b>M1</b>  x26	<b>S9</b>  x4	<b>W1</b>  x8	<b>S10</b>  x8	<b>S10</b>  3x18 x8	<b>Z2</b>  x10	<b>K11</b>  x12	<b>K7</b>  x1	<b>Z7</b>  x4	<b>S3</b>  4x13 x8	<b>S4</b>  4x30 x10	<b>F1</b>  x5
--	---	---	--	--	---	---	--	--	--	--	--	---	--

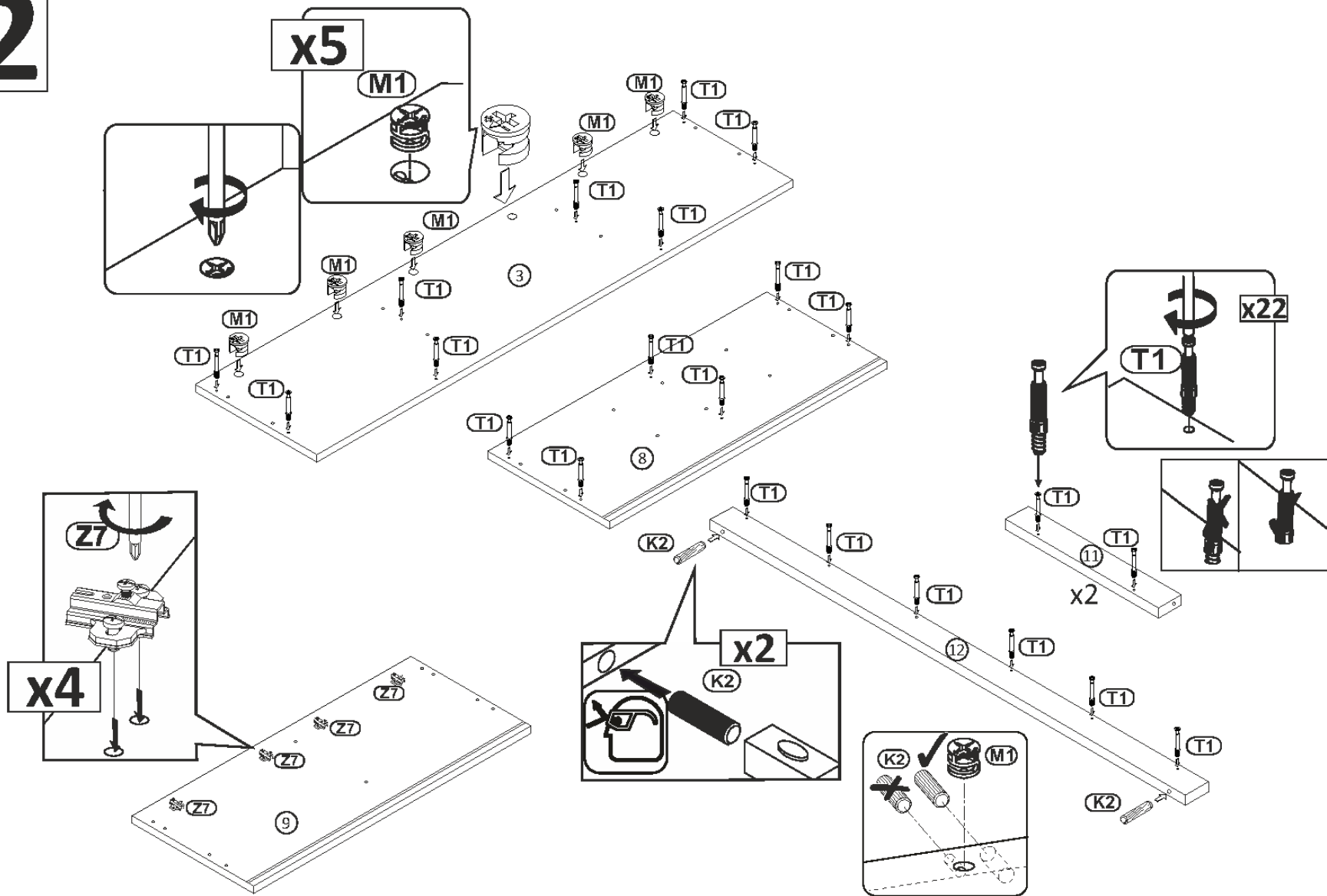
### Bag 2

### Bag 3

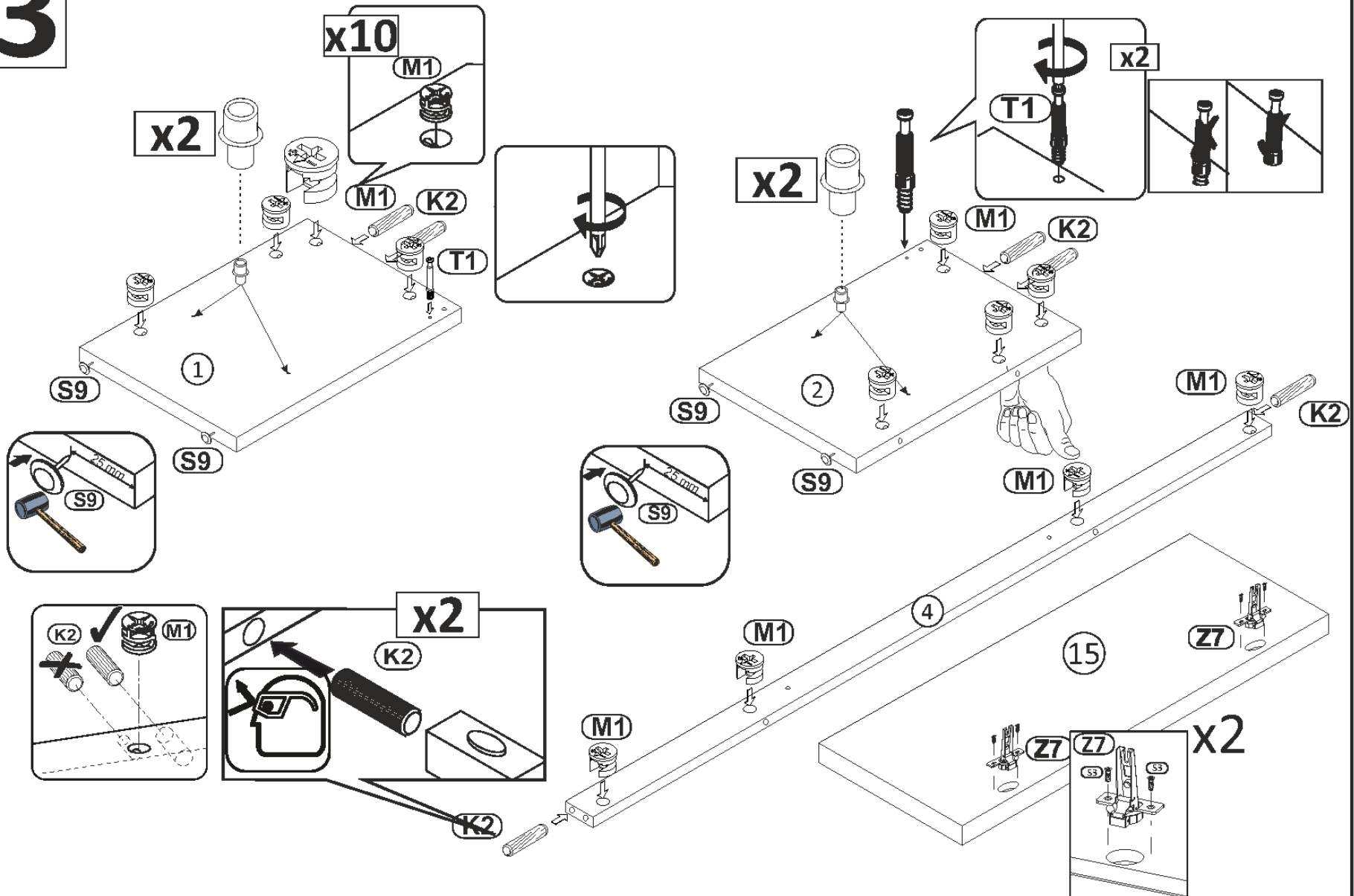
# 1



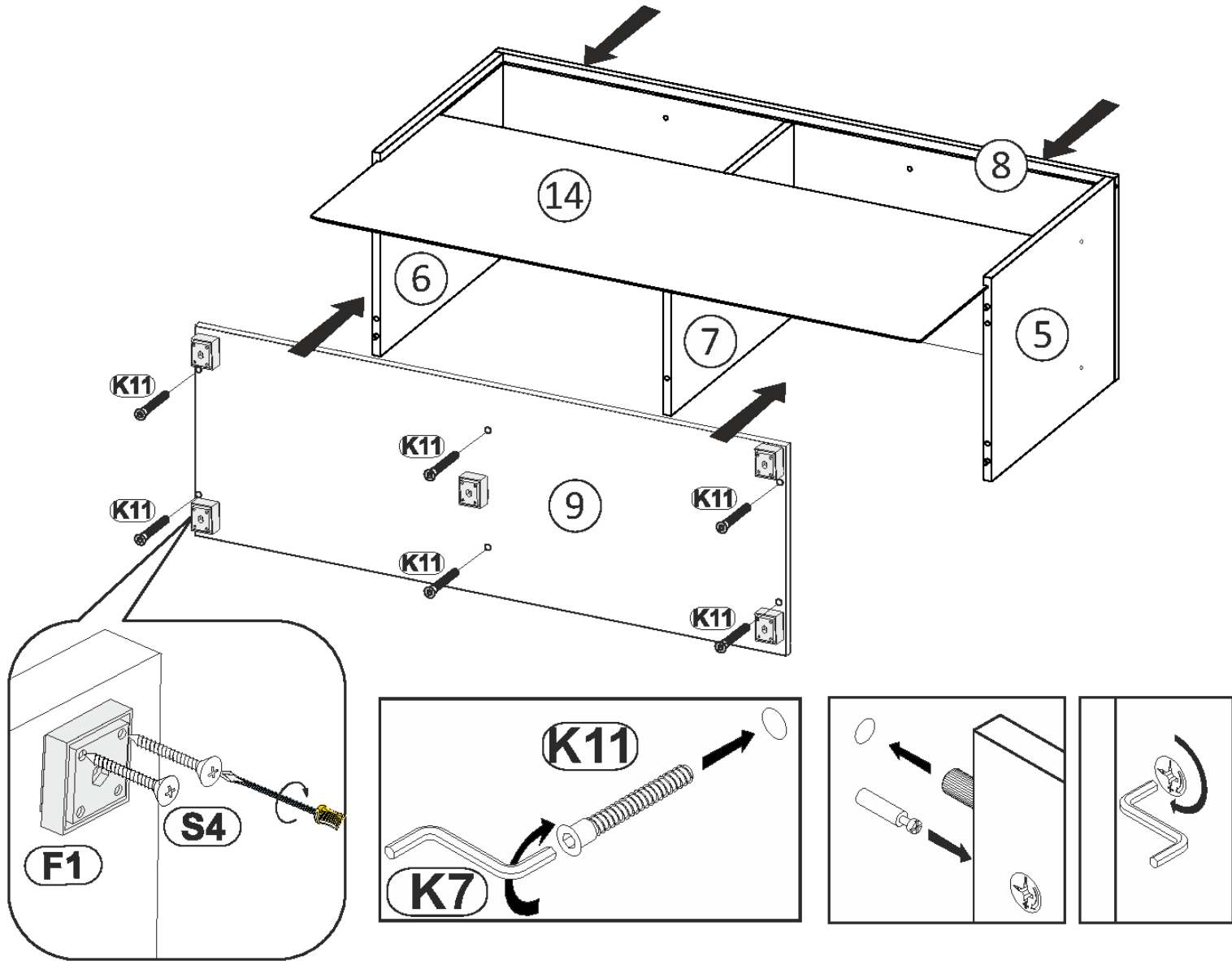
# 2



# 3

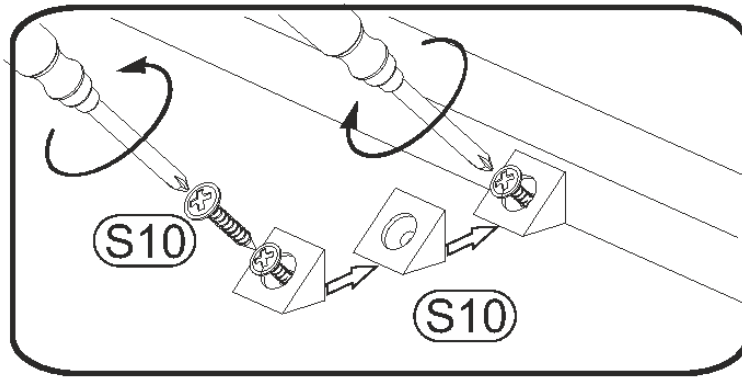
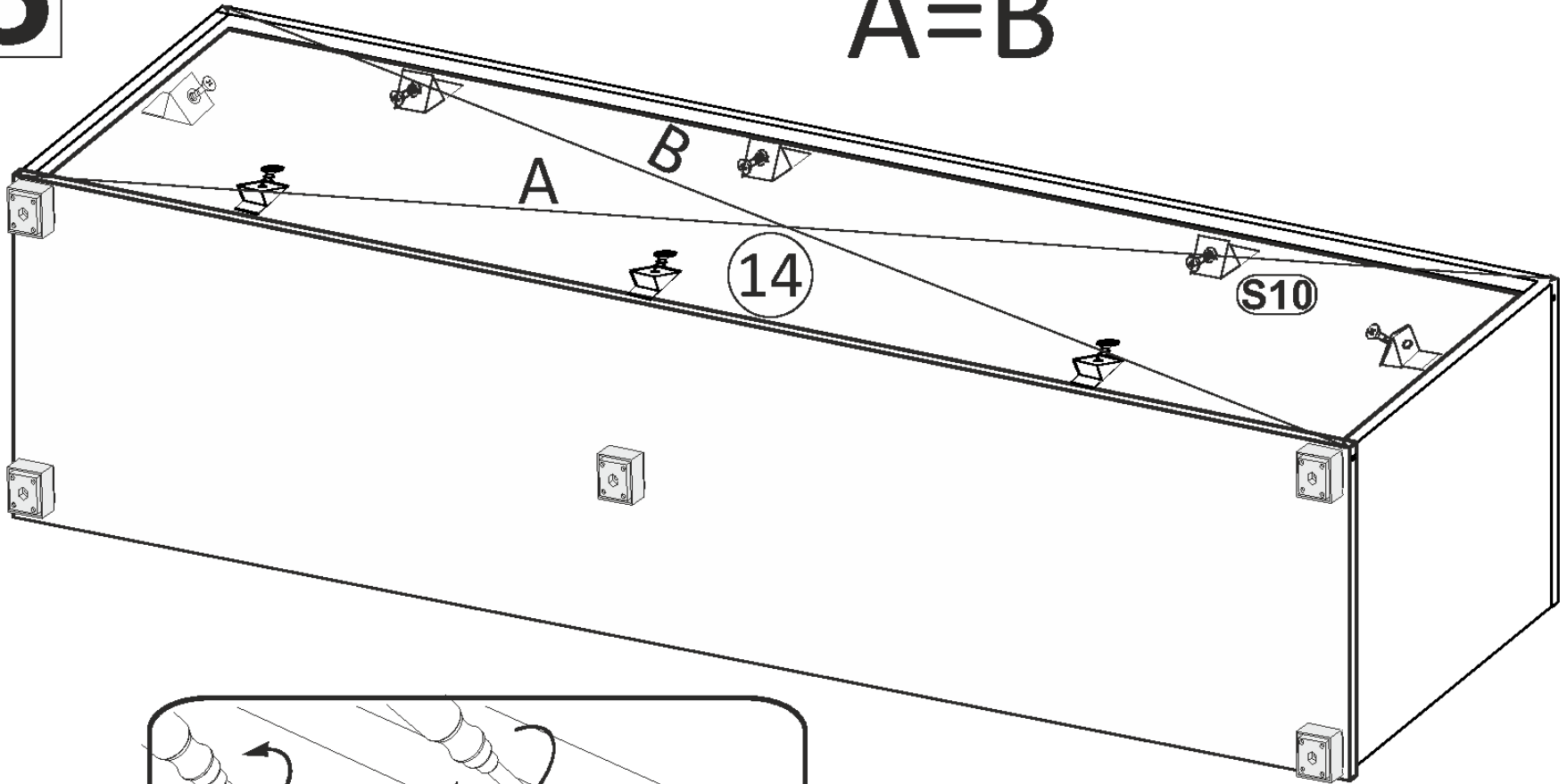


# 4



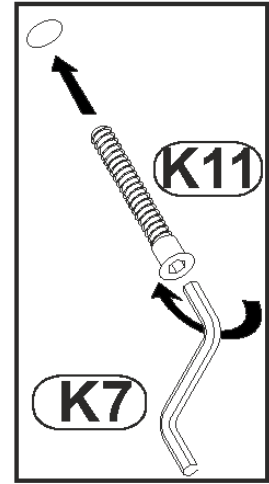
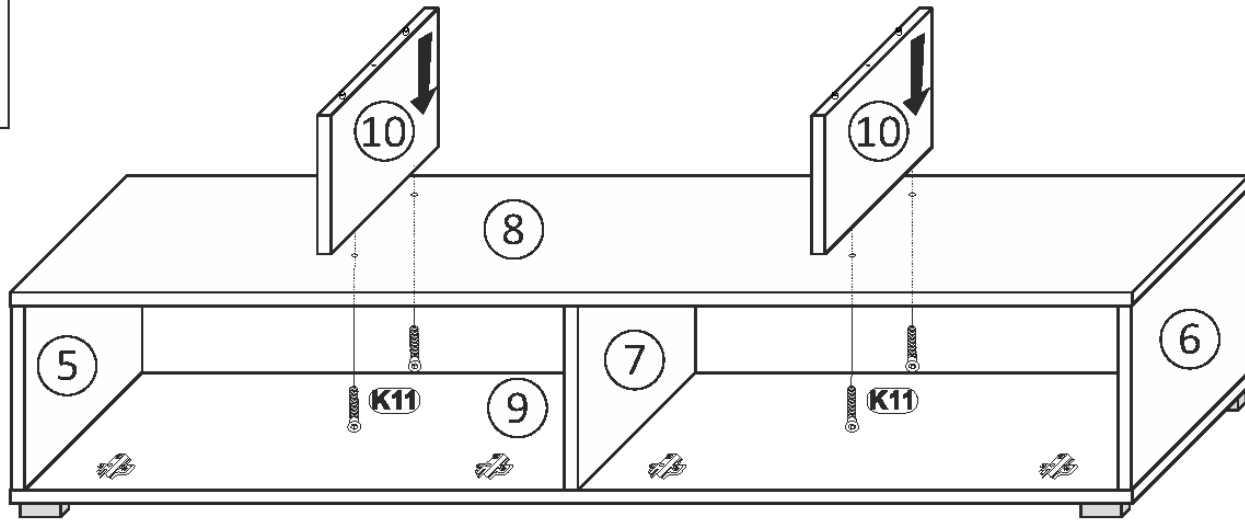
5

A=B

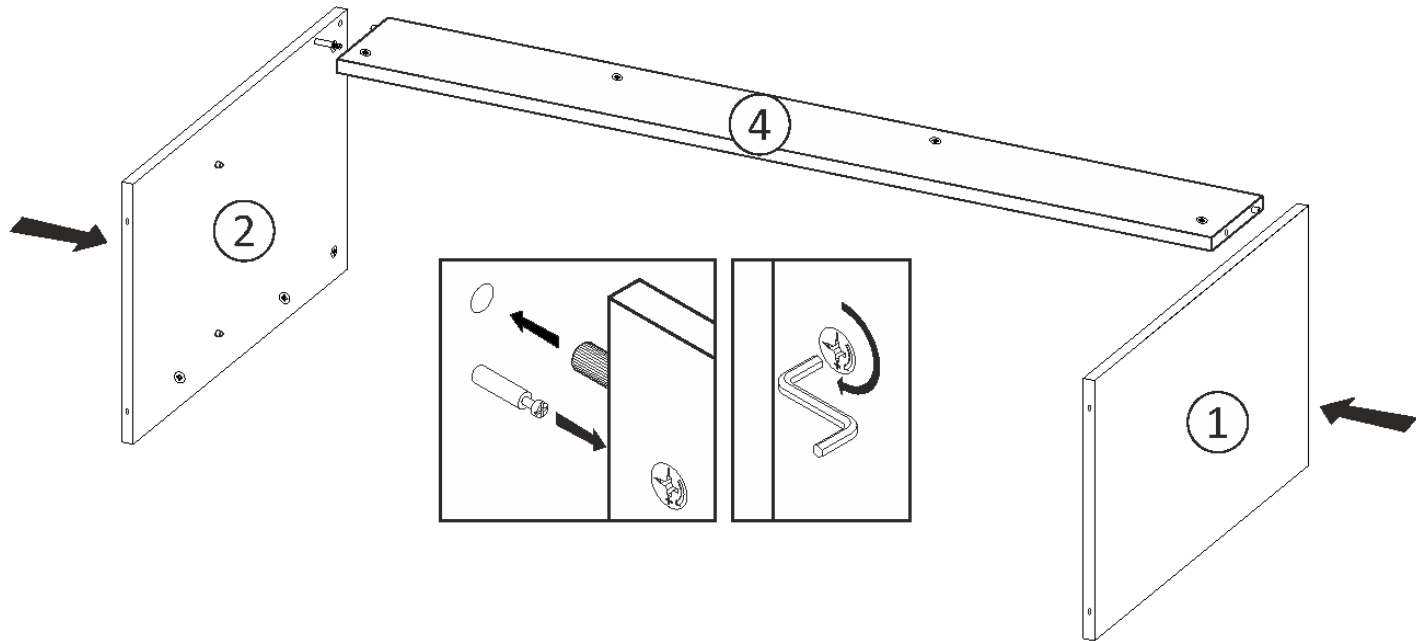




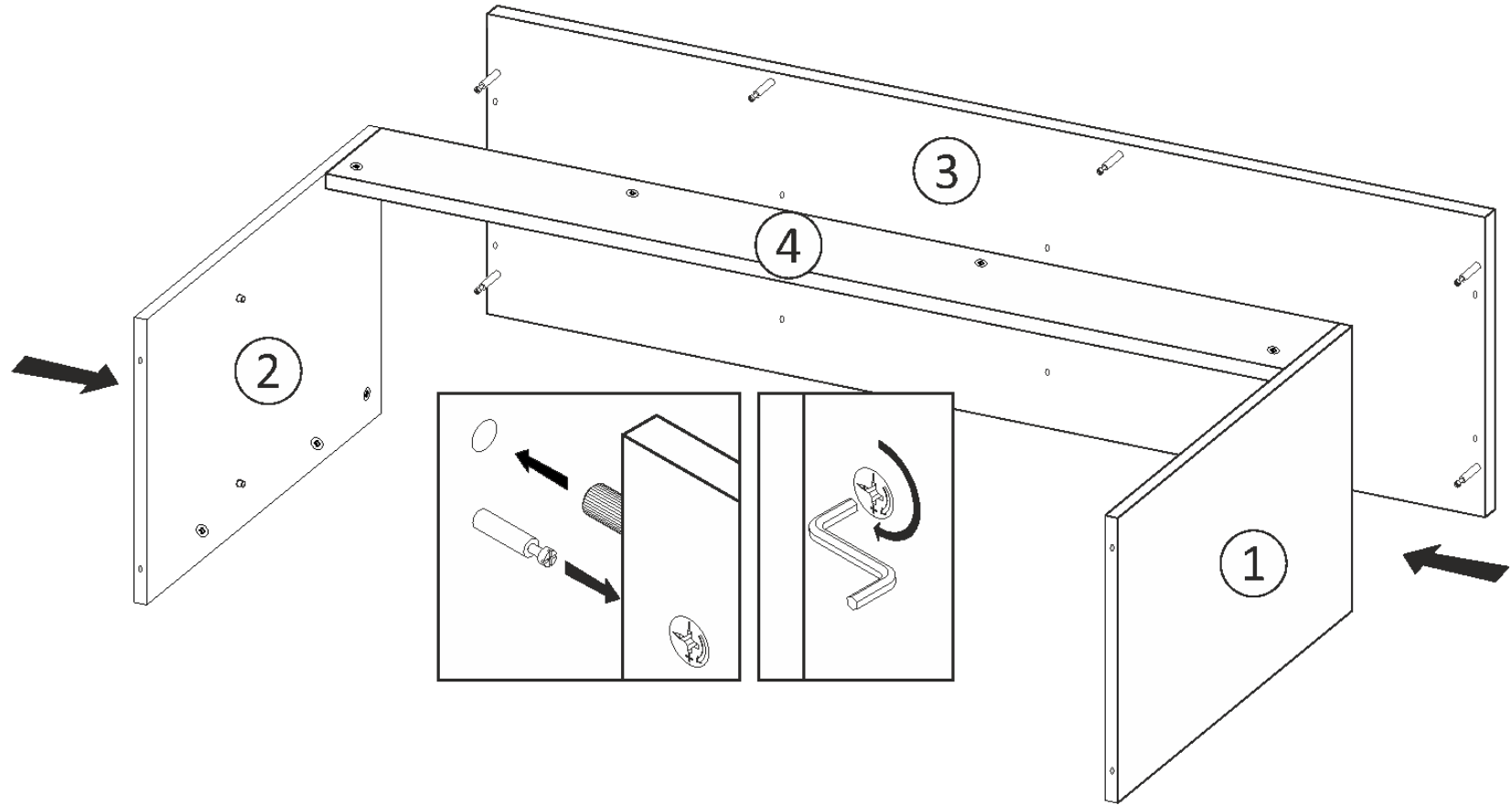
# 6



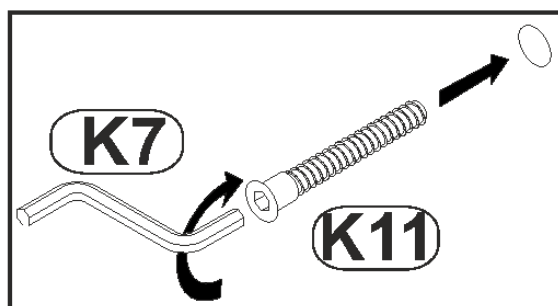
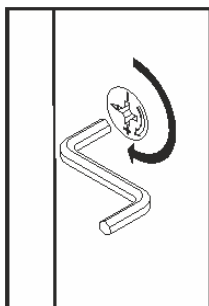
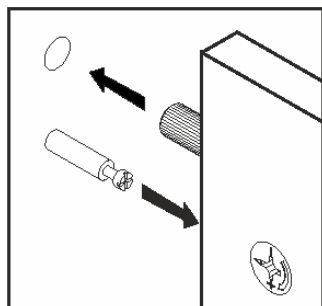
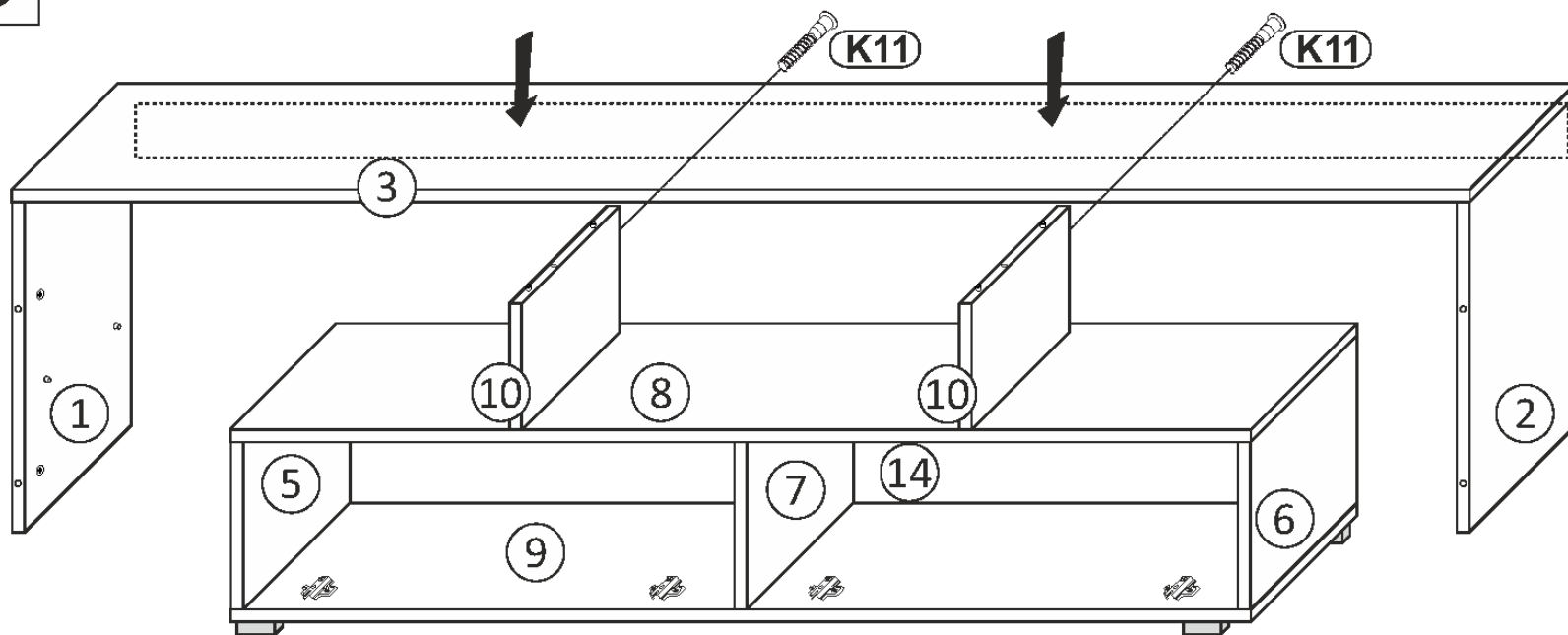
# 7



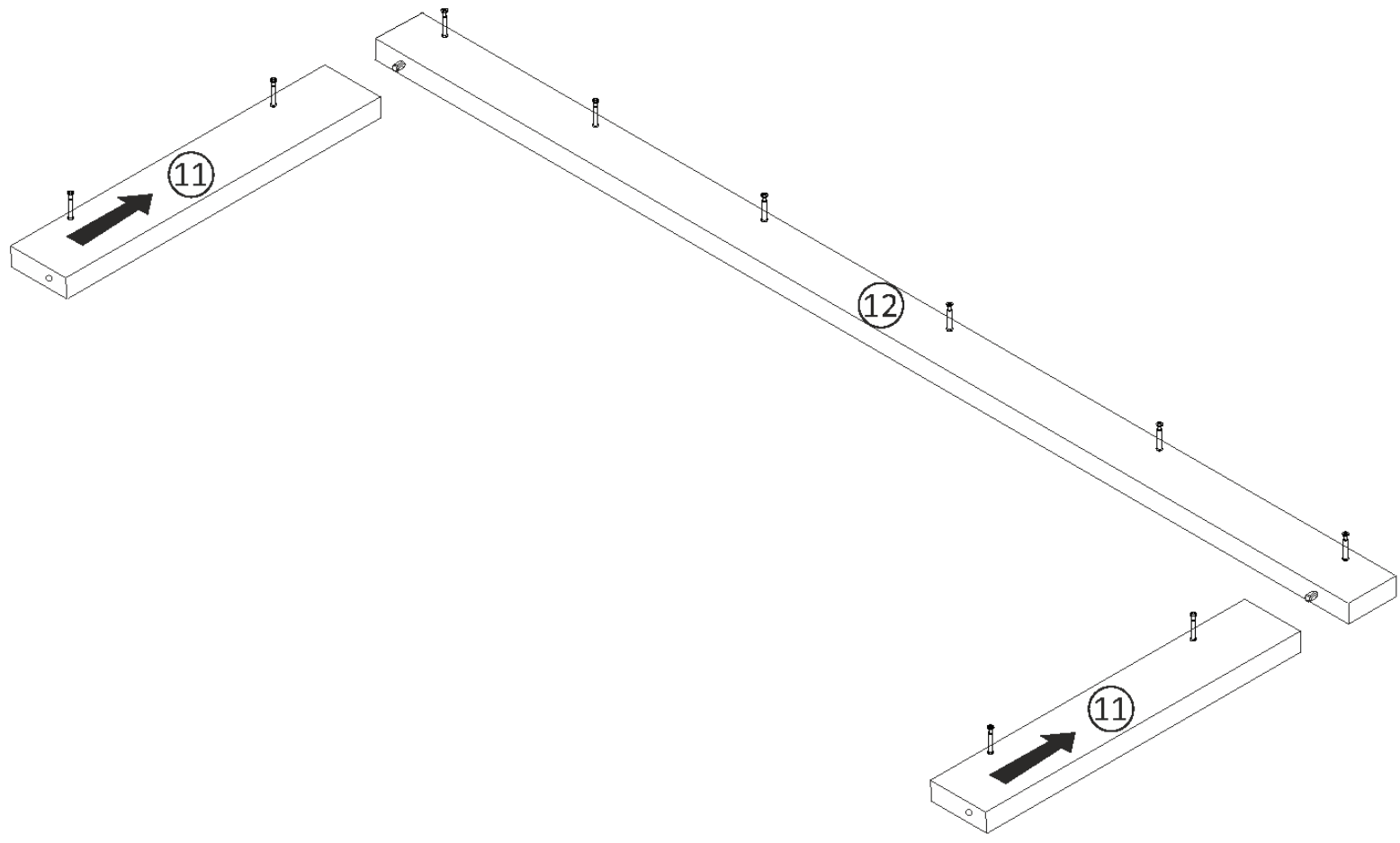
8



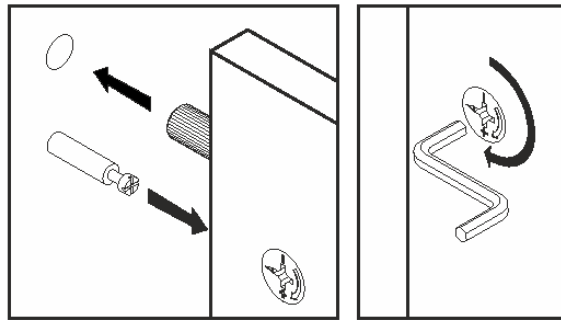
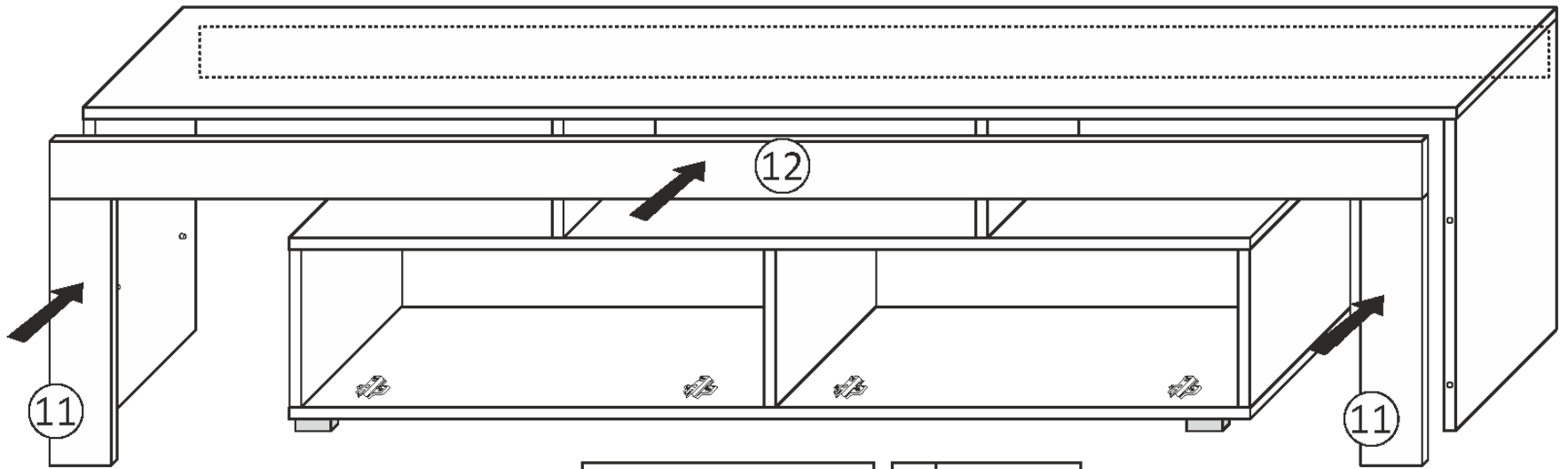
# 9



# 10



# 11



# 12

