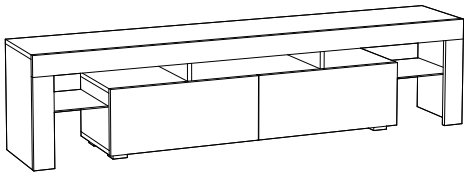


LOFT



# COPENHAGEN TV CABINET

Assembly instructions

Version 2.0

**ASSEMBLY INSTRUCTIONS**

Read these instructions carefully and keep for future reference. refer to parts inventory for guidance, and ensure you have all pieces before starting when assembling, place all parts on a soft, lean and flat surface such as a carpet to prevent scratches.

If you're having difficulty, our friendly Customer Care team is always here to help. Email us at email [info@loftdesigncompany.ca](mailto:info@loftdesigncompany.ca) we're more than happy to help or assist.



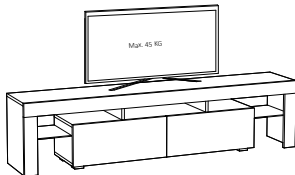
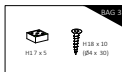
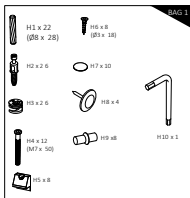
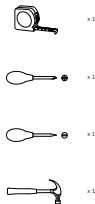
TIME



# OF PEOPLE

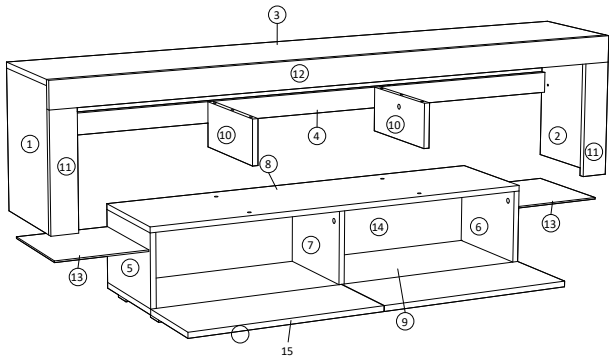


DIFFICULTY

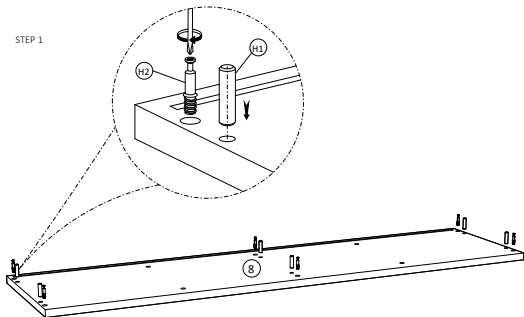
**HARDWARE LIST****TOOLS NEEDED**

# PART LIST

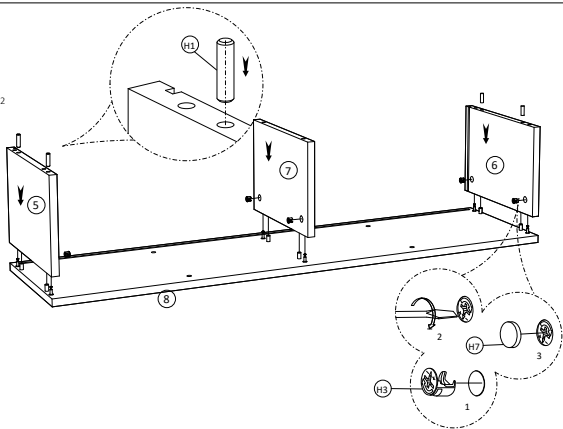
LOFT



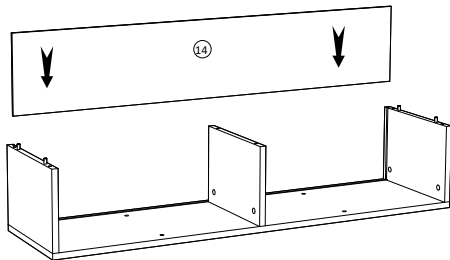
STEP 1



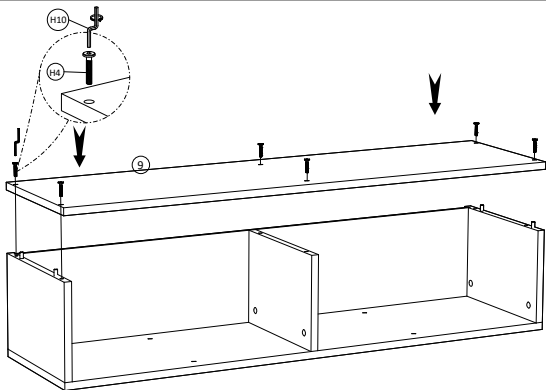
STEP 2

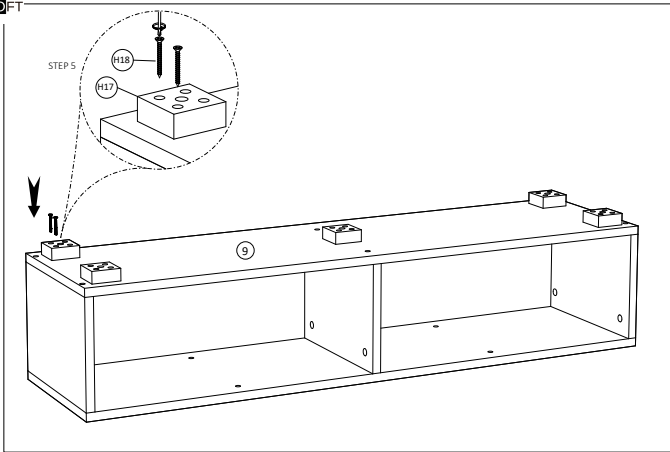


STEP 3



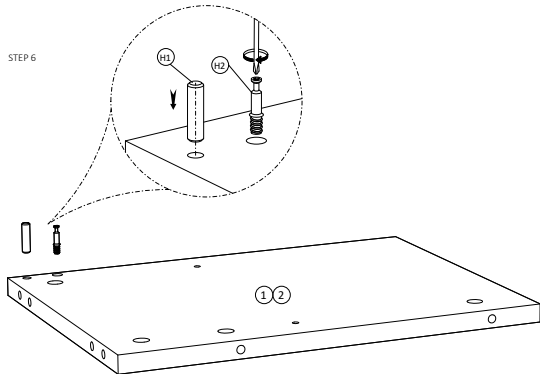
STEP 4



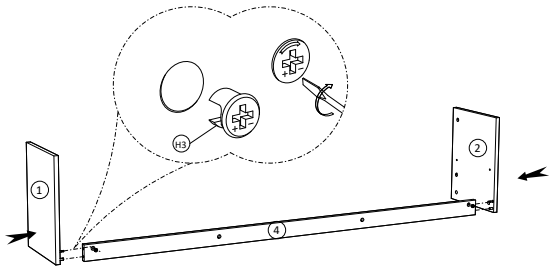




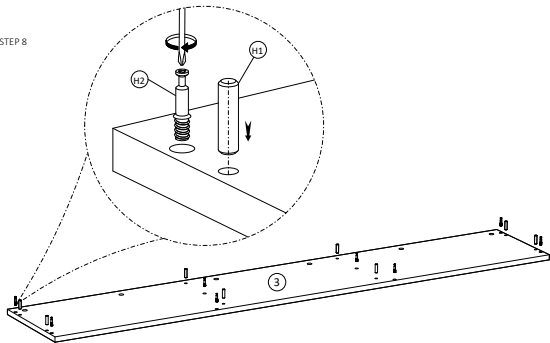
STEP 6



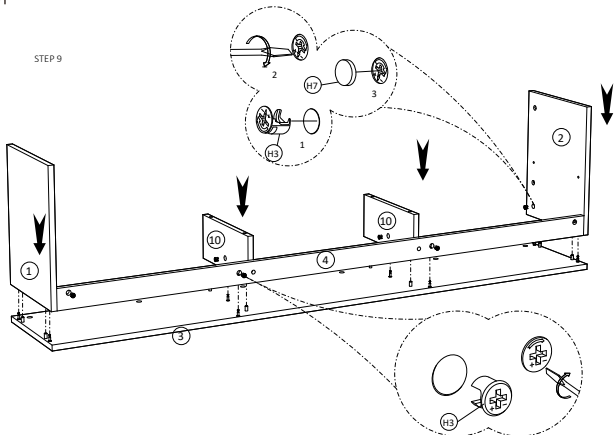
STEP 7



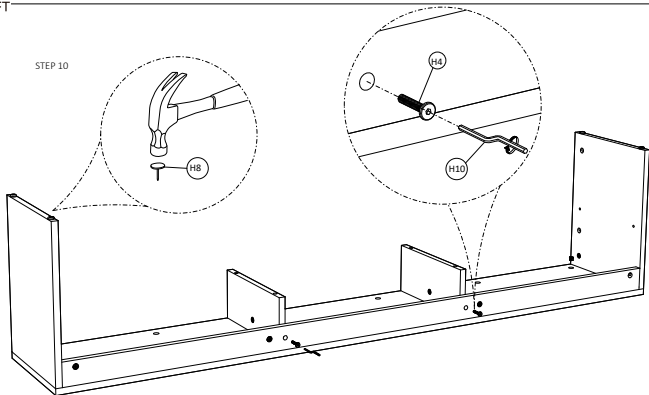
STEP 8



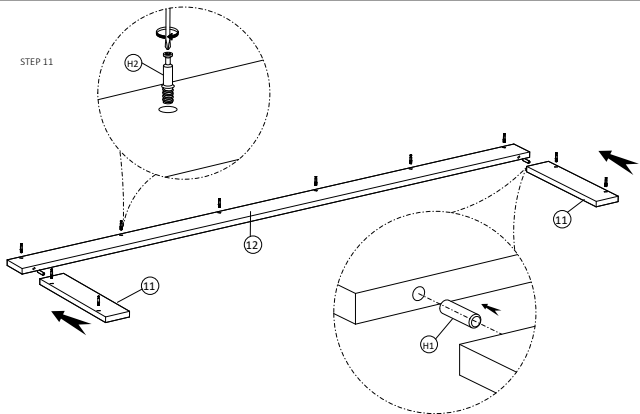
STEP 9



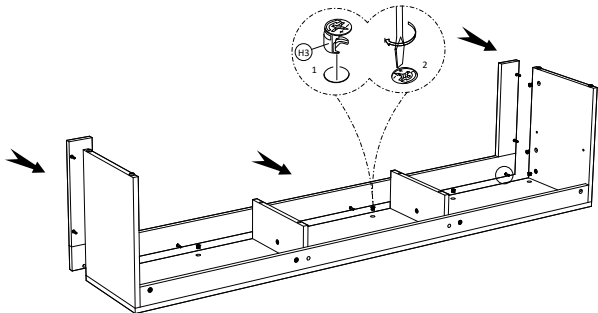
STEP 10



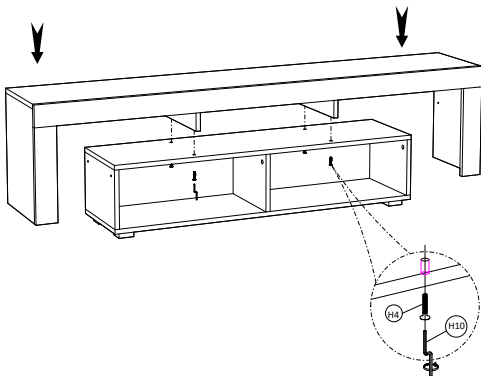
STEP 11



STEP 12

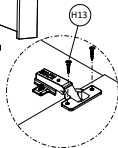
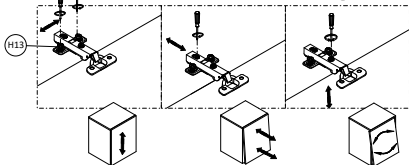
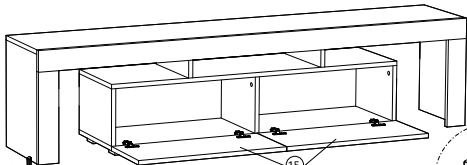
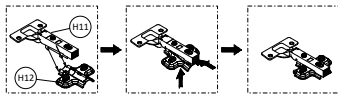


STEP 13

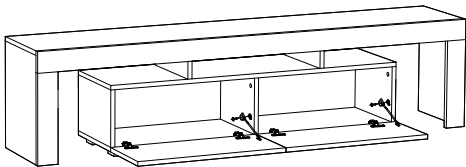




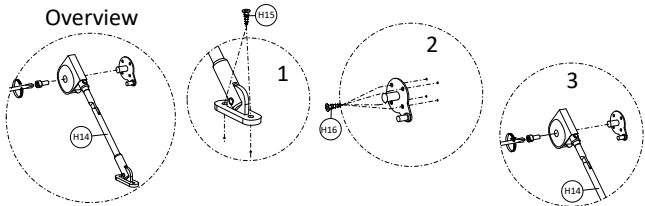
STEP 14



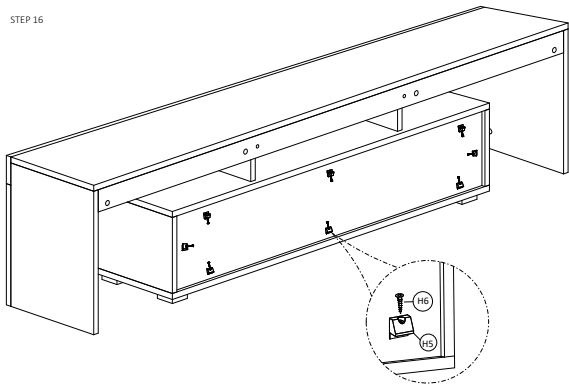
STEP 15



## Overview



STEP 16



STEP 17

