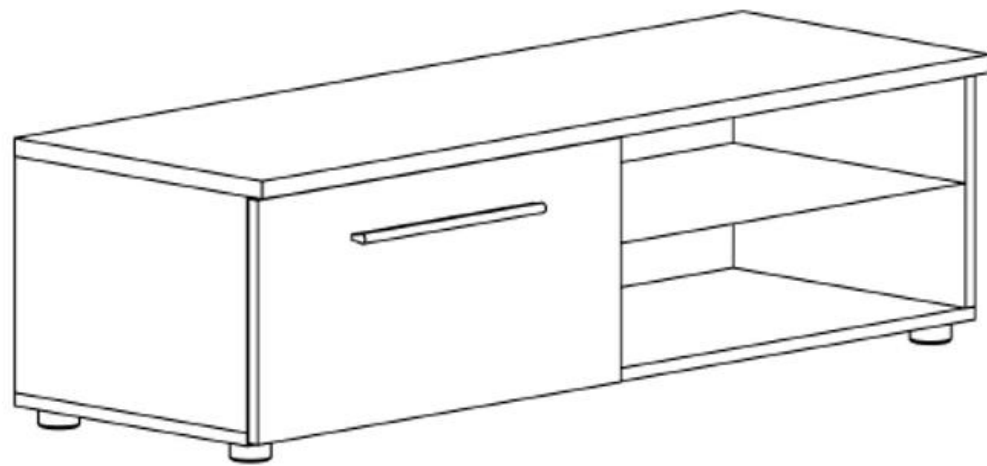


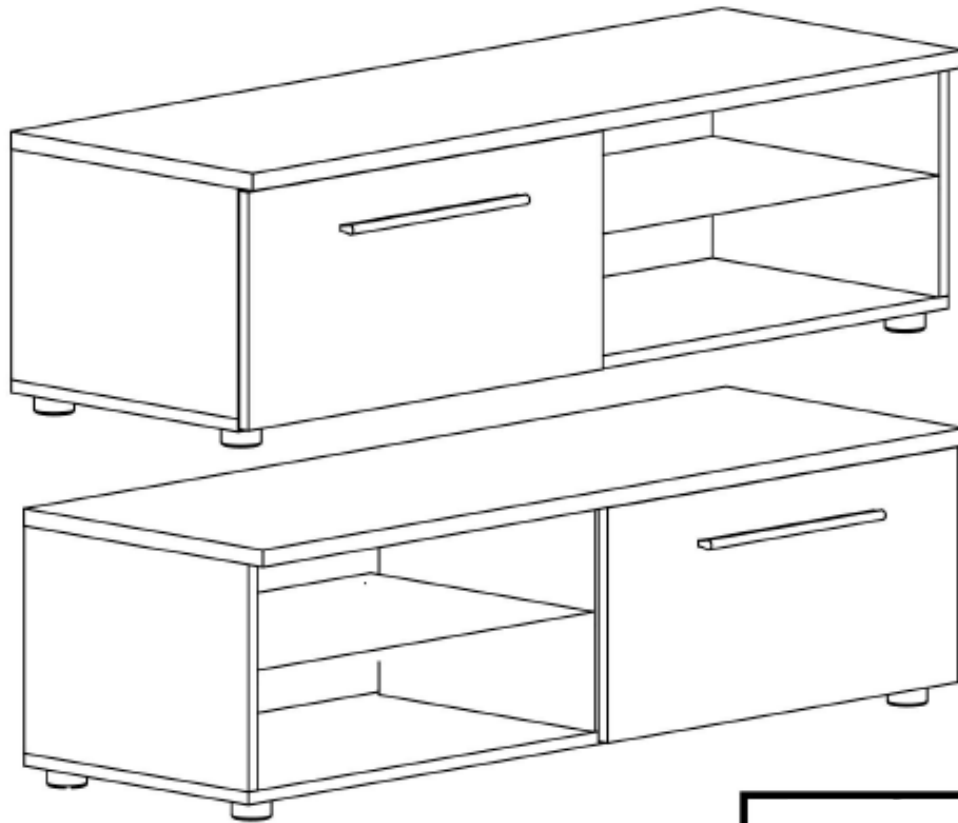
LOFT

# BILLUND TV Cabinet

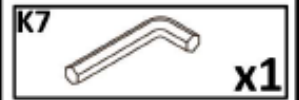
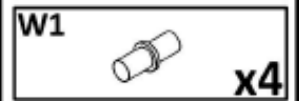
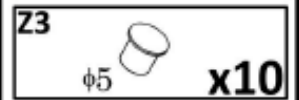
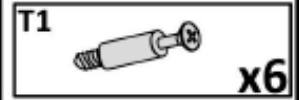
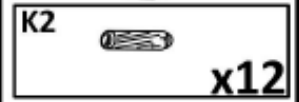


# ASSEMBLY INSTRUCTIONS

1 / 6



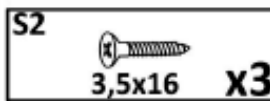
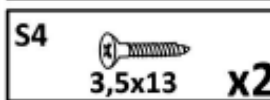
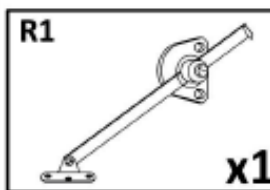
## BAG 1



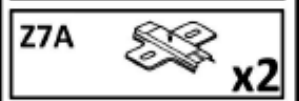
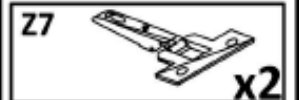
## BAG 4



## BAG 5



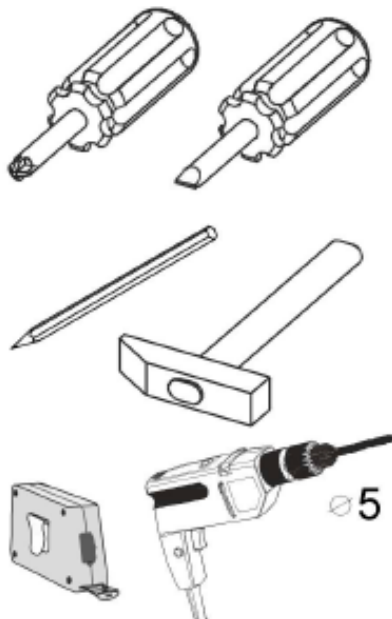
## BAG 2

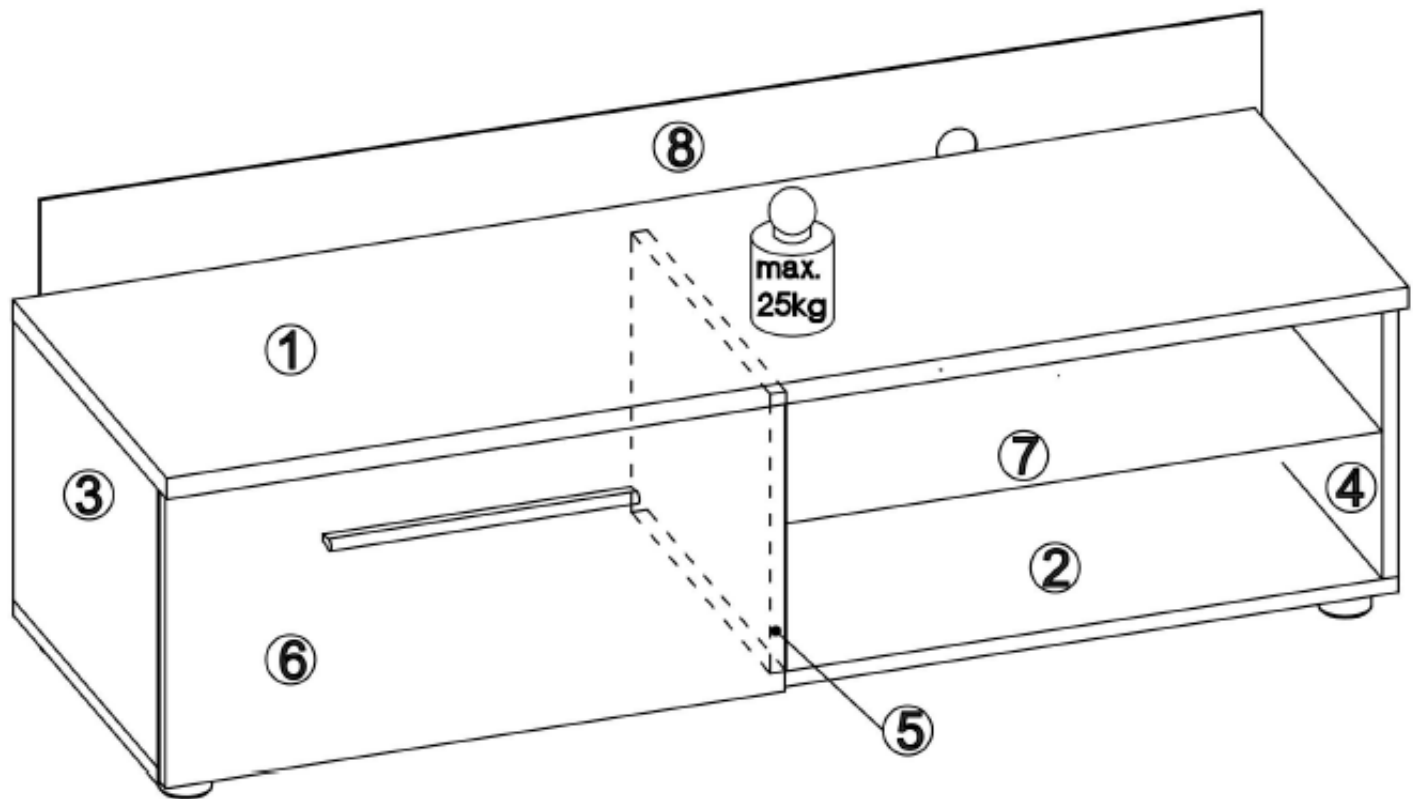
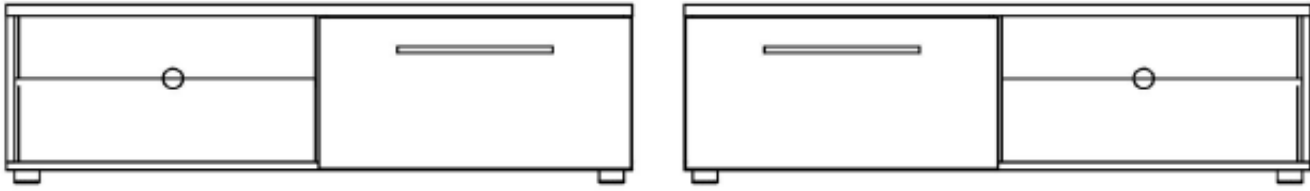


## BAG 3

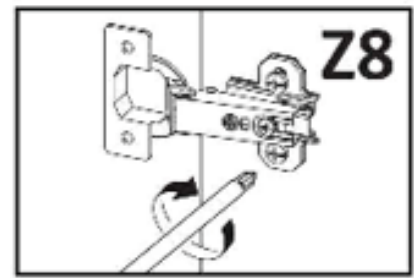
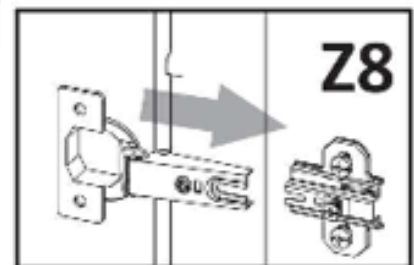
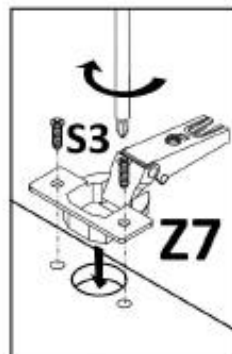
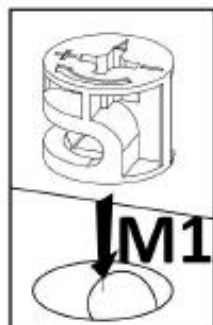
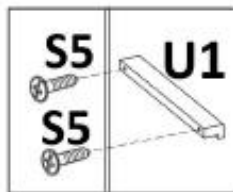
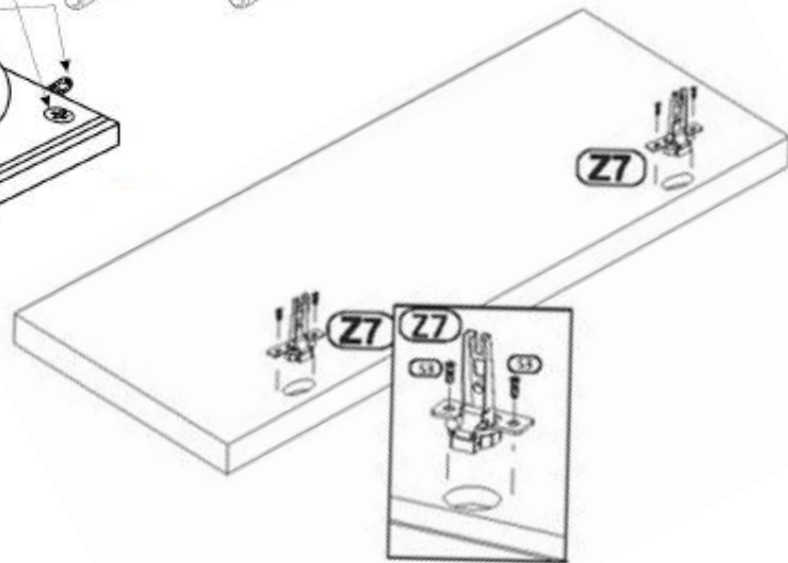
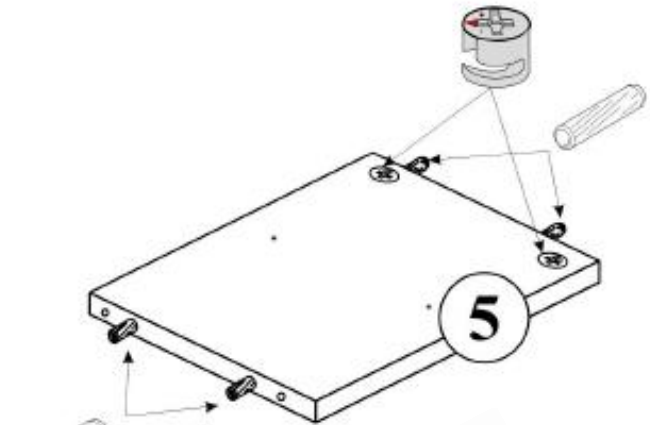
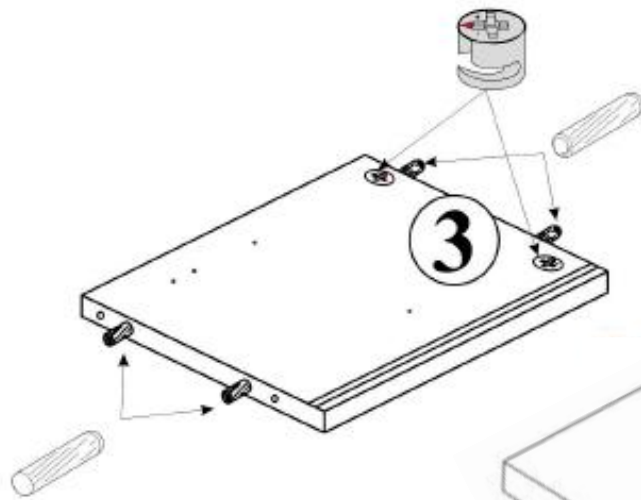
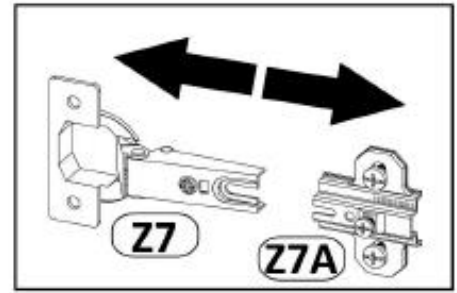
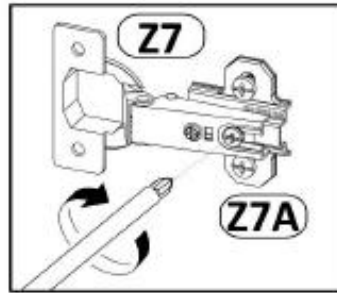
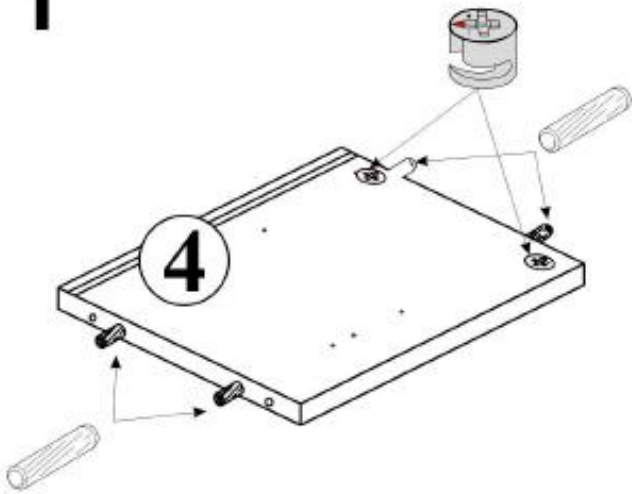


Use the following for assembly:

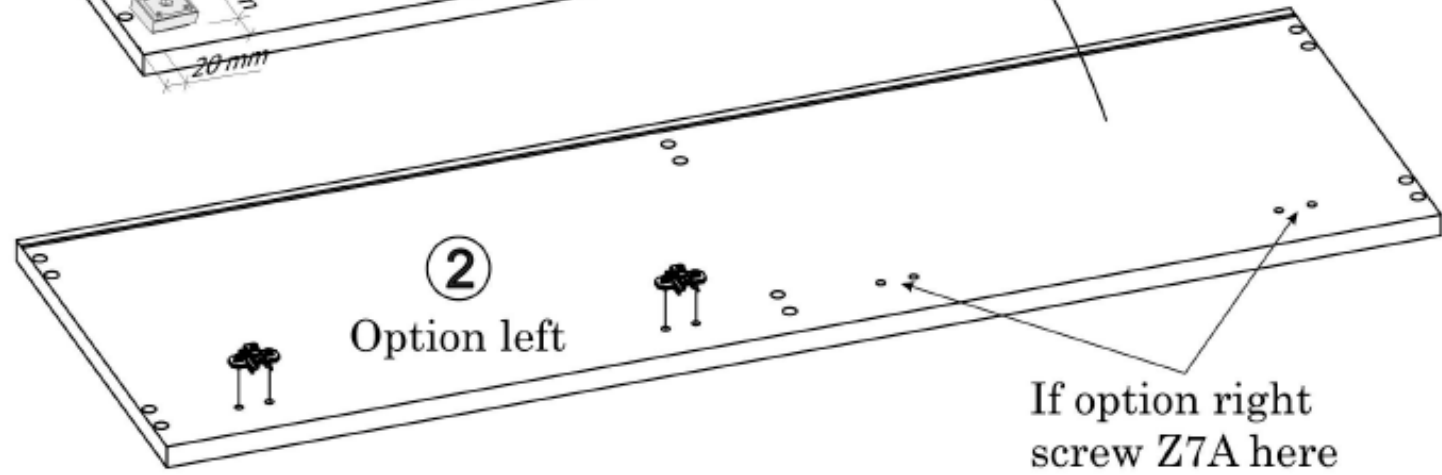
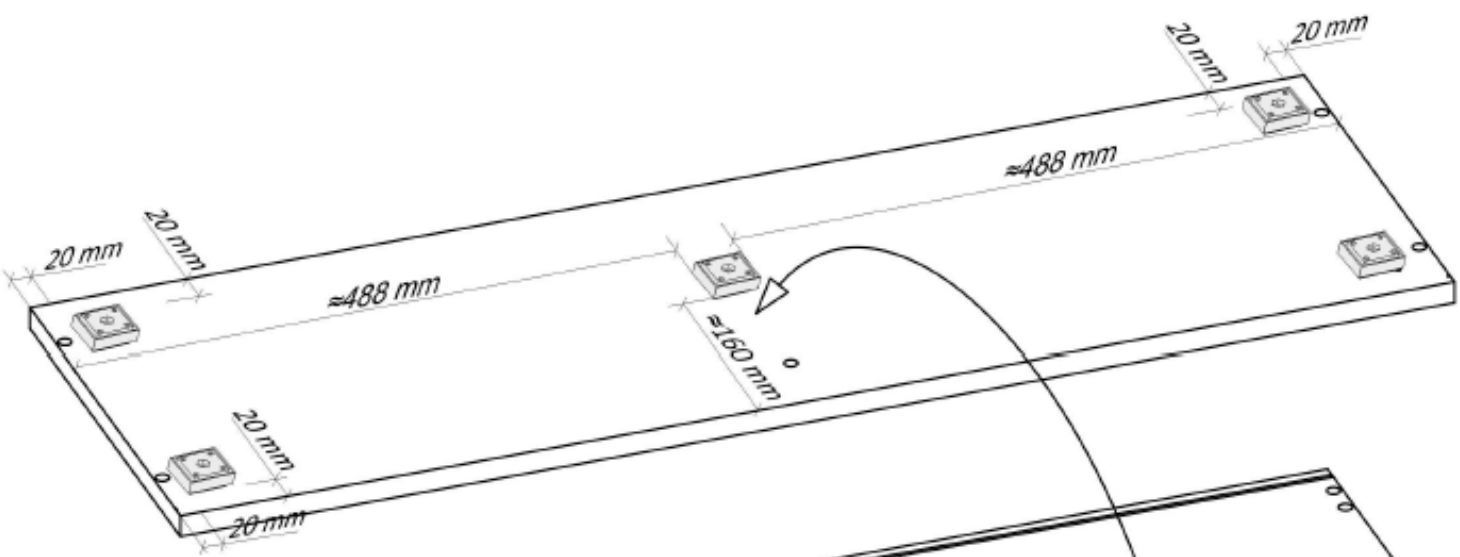
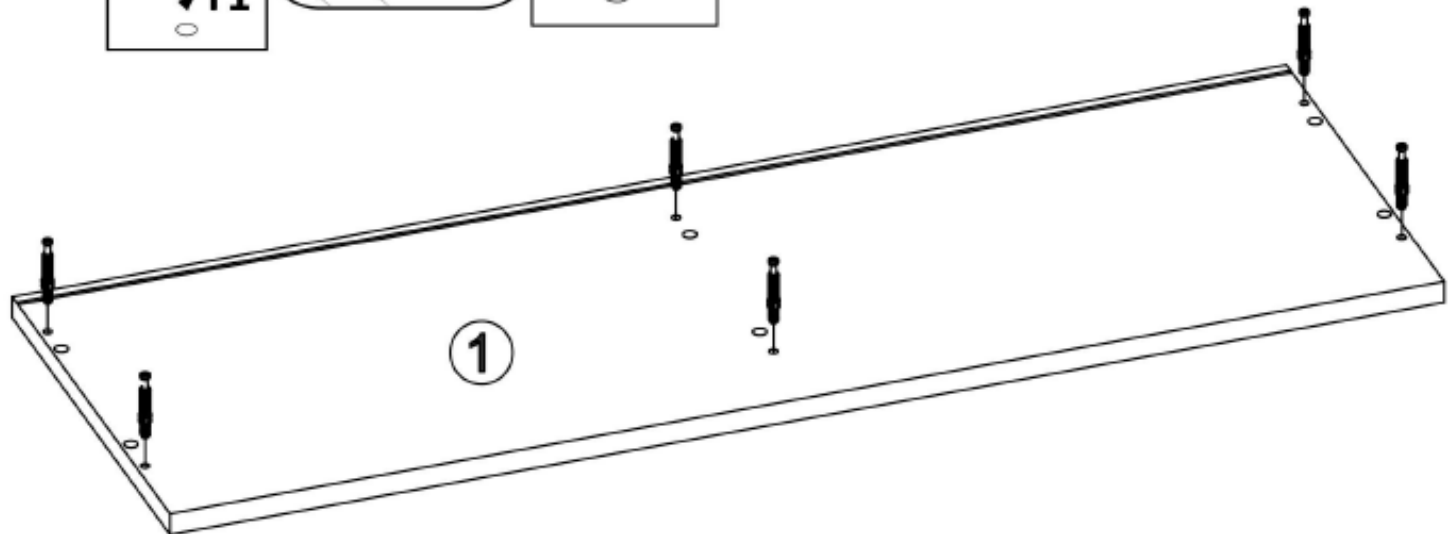
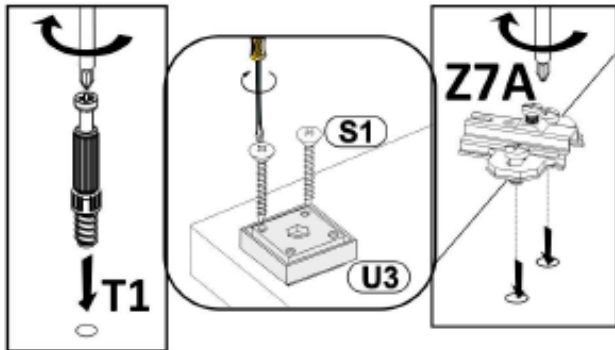




**1**



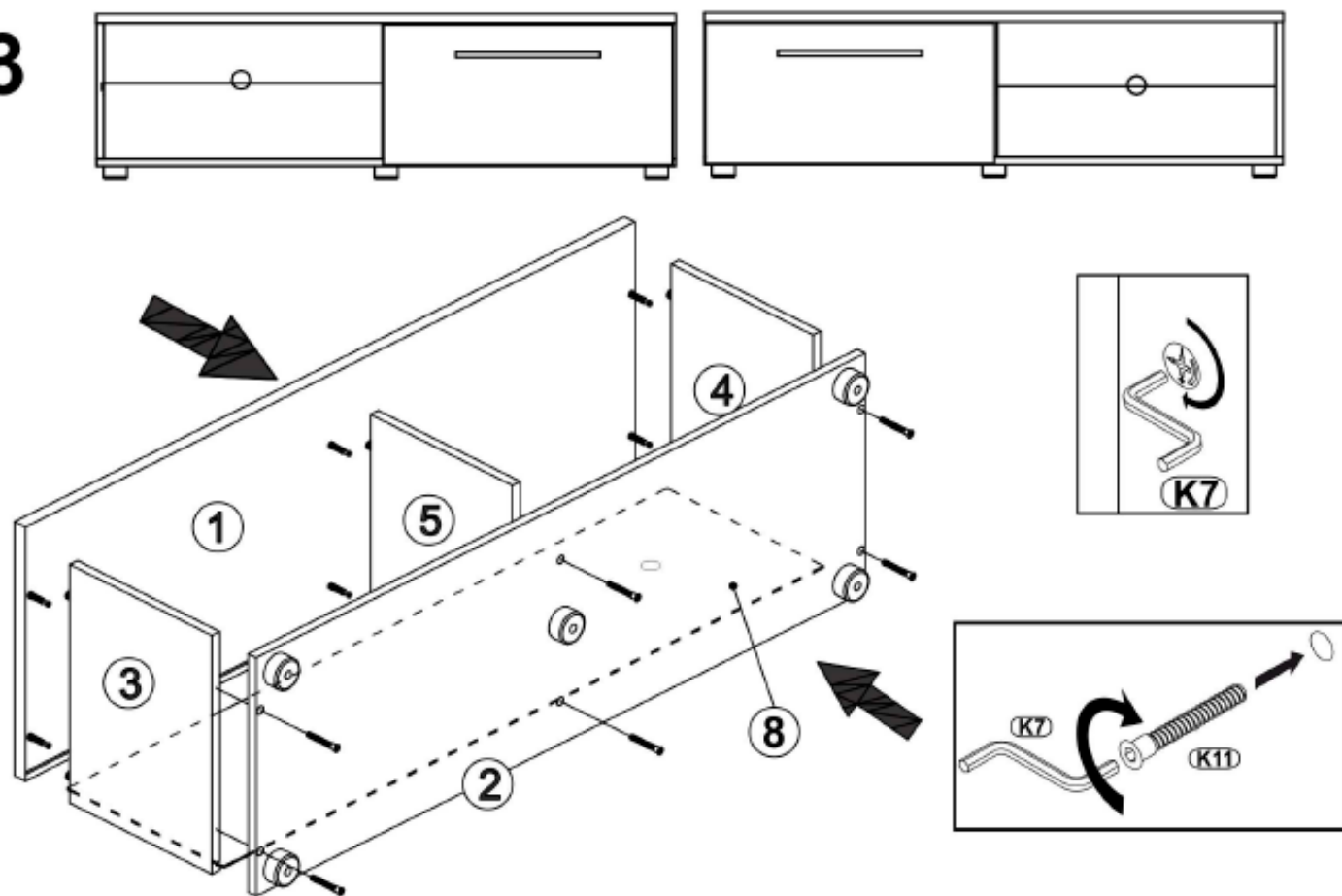
2



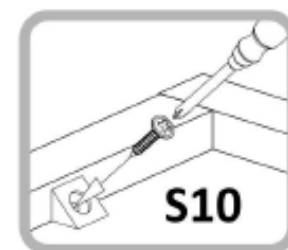
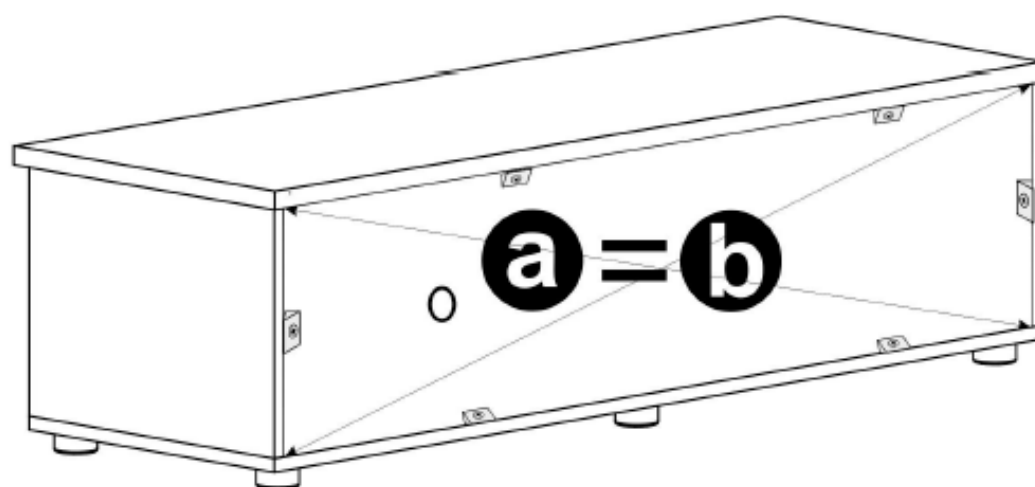
Option left

If option right  
screw Z7A here

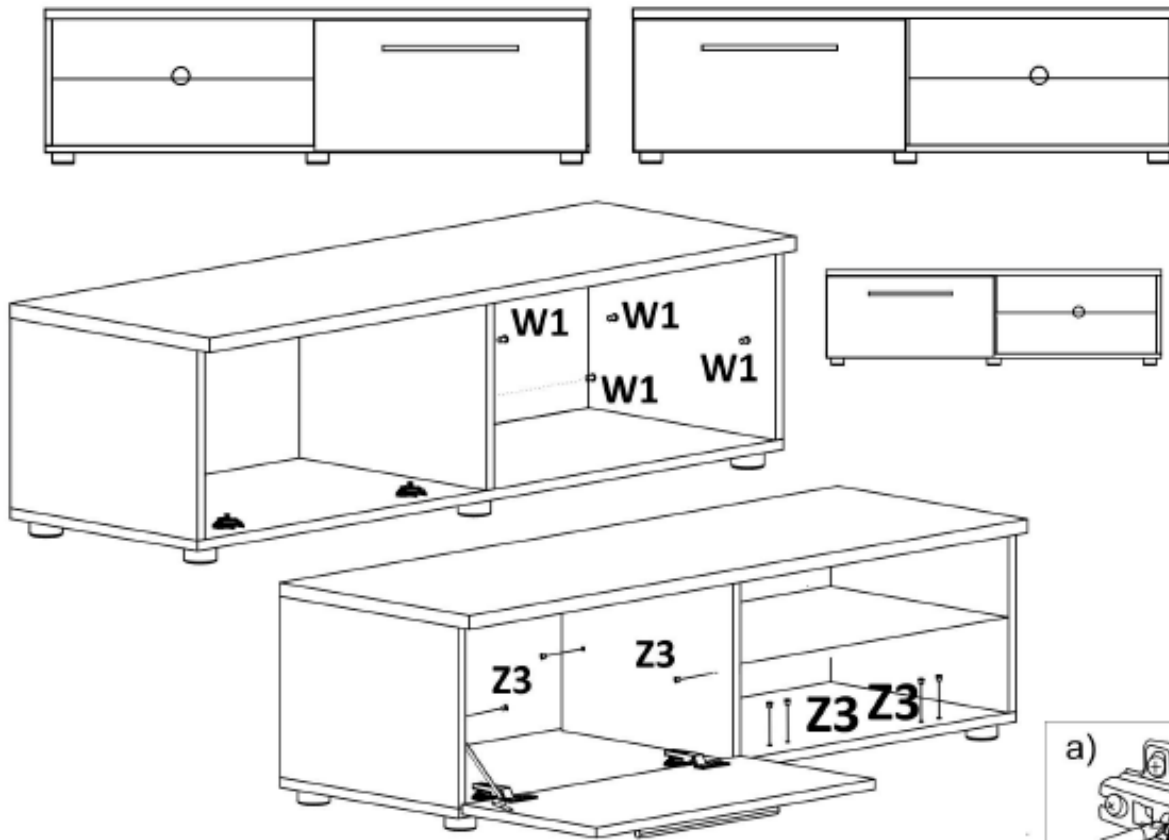
3



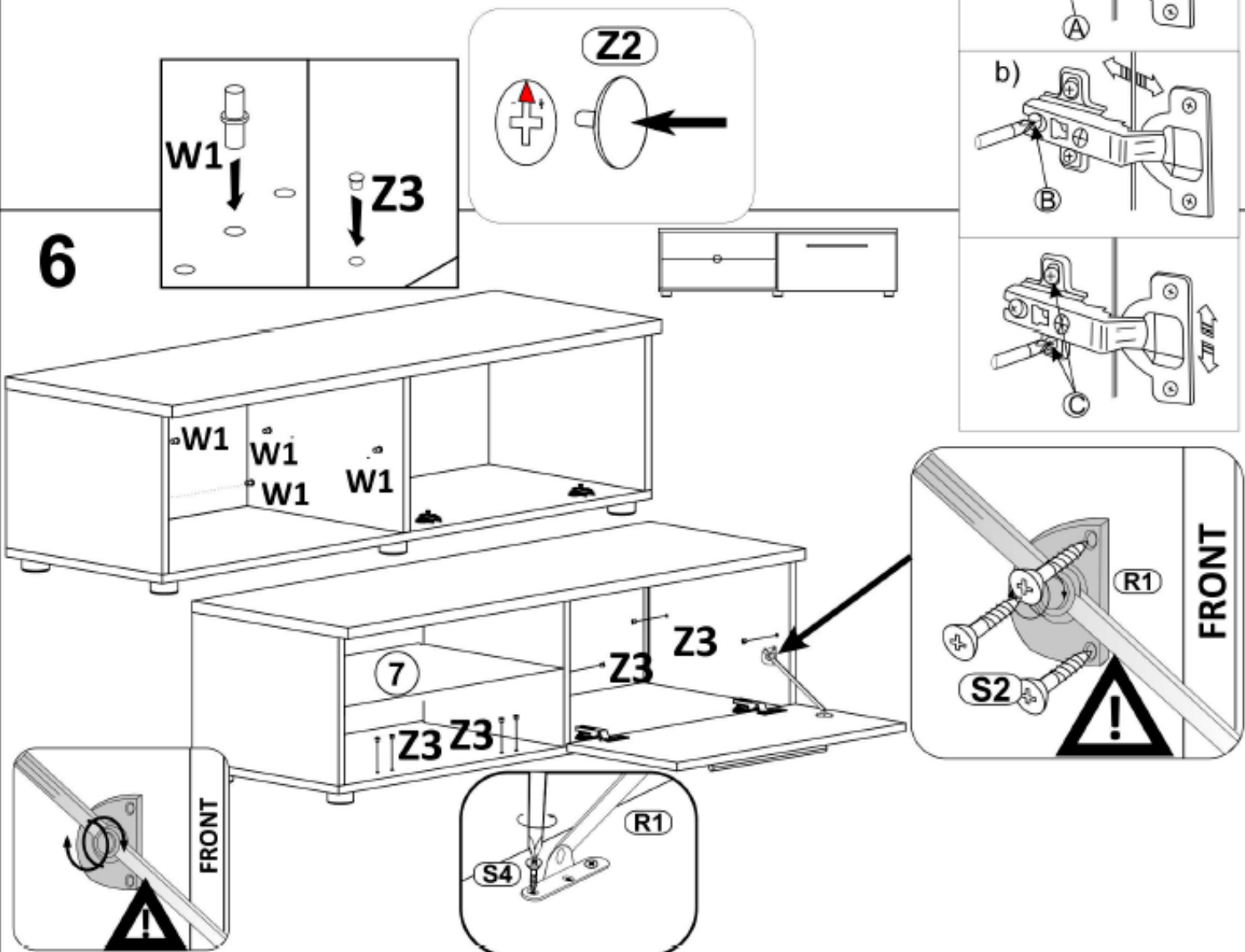
4



**5**



**6**



**LOFT**