

**FC-093**  
**Little Ladybird**



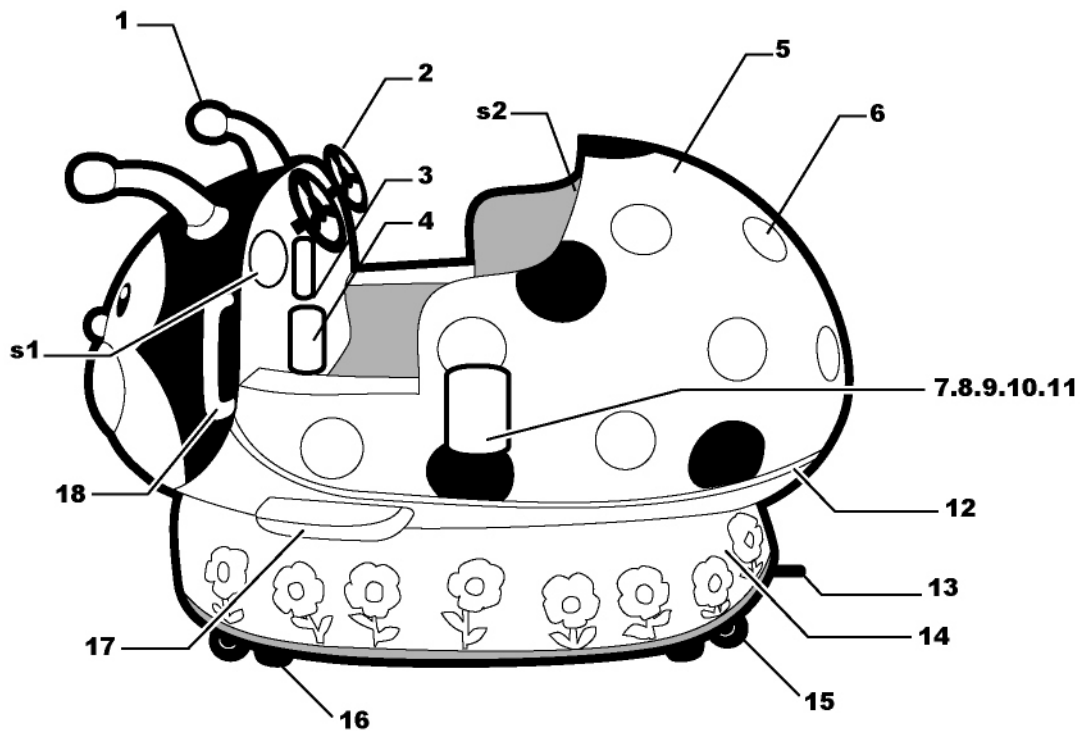
**Specification**

**Dimension** L165 x W120 x H120 cm

**Weight** 120 kgs

**Voltage** 110V AC, 60Hz, 3A, Max 6A  
220V AC, 50Hz, 3A, Max 6A

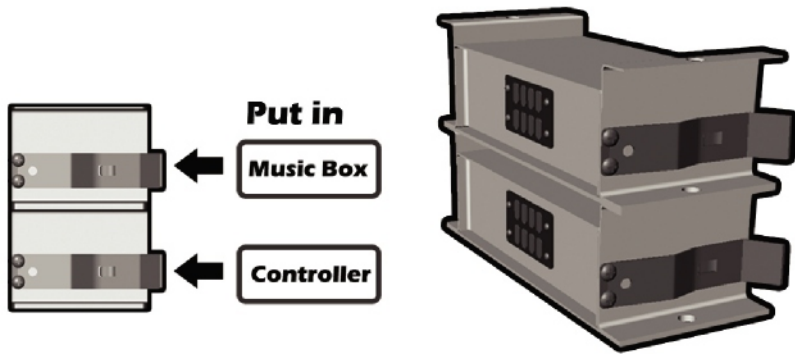
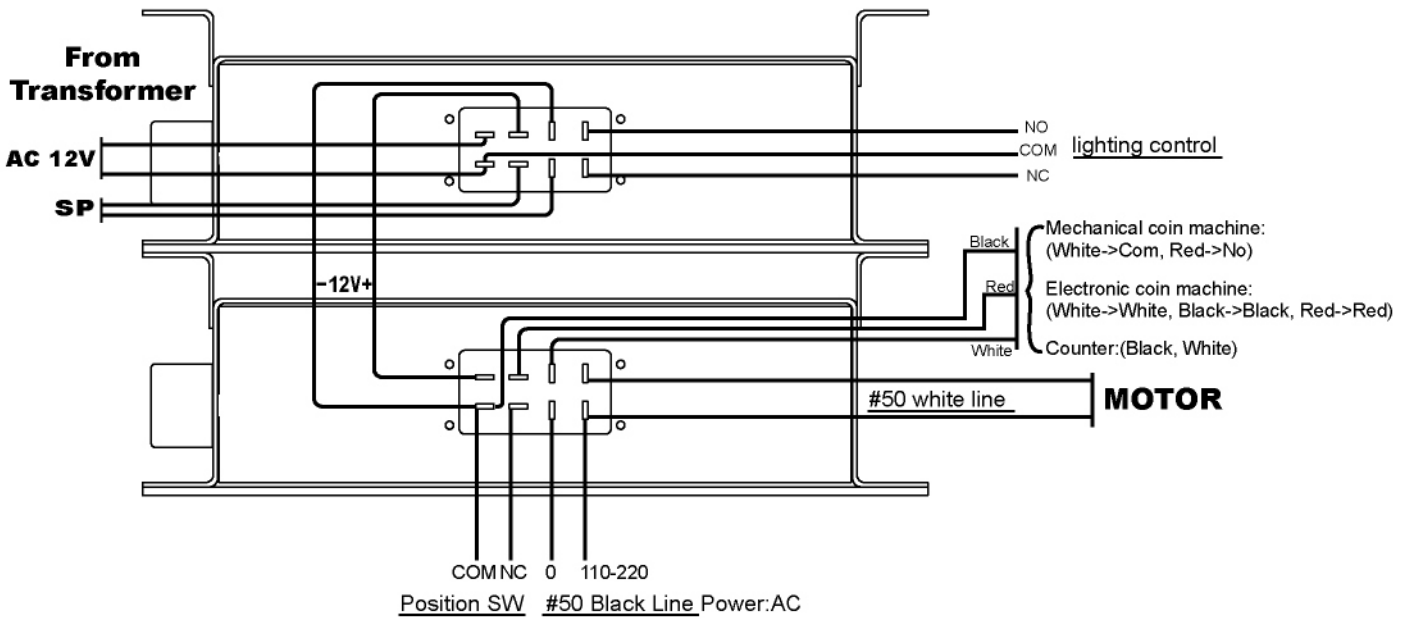
**Little Ladybird Detail Manual**



**SIDE VIEW**

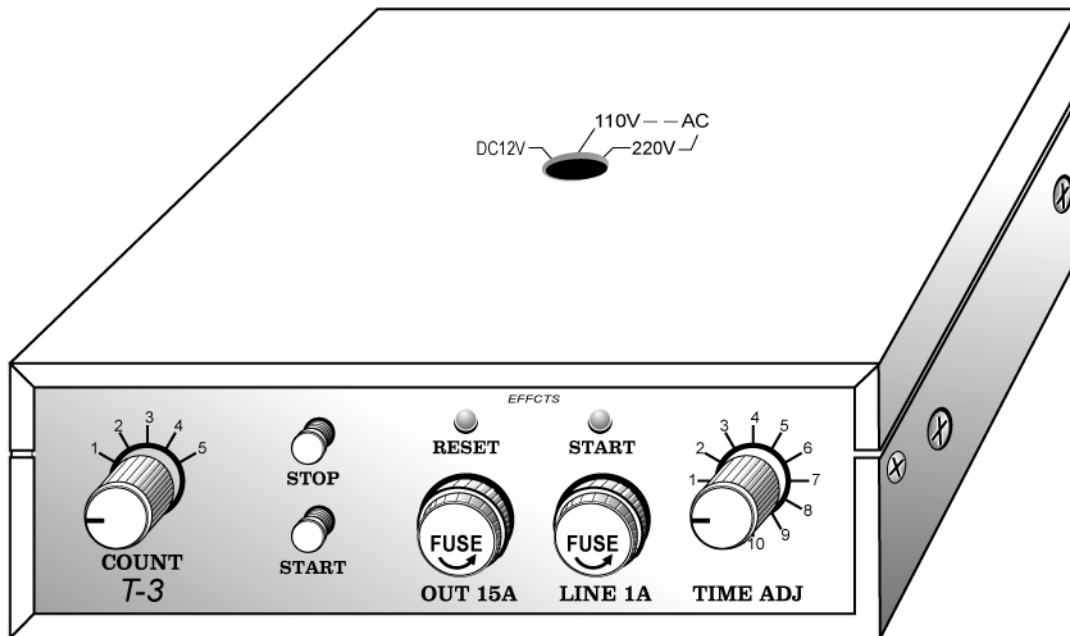
- |                                   |  |                |
|-----------------------------------|--|----------------|
| 1. Light#7                        | 10. Controller                         | s1~s2. Sticker |
| 2. Steering wheel#1               | 11. LED light PCB                      |                |
| 3. Electronic coin machine(key#1) | 12. Light#9                            |                |
| 4. Coin box(key#2)                | 13. Power-plug locates at rear of base |                |
| 5. Little Ladybird FRP            | 14. Base of garden shape               |                |
| 6. Light#8                        | 15. Wheel                              |                |
| 7. Maintenance door-big(key#1)    | 16. Fixer                              |                |
| 8. Double frame                   | 17. Ladder#3                           |                |
| 9. Music box                      | 18. Handlebar#3                        |                |

**Double Frame Wire Manual**



size: W188mm x L78mm x H113mm

**Controller Operating Manual**



**Count:** Adjust the coin from 1 coin to 5 coins

**Stop Button:** For Checking machine without insert coin to "STOP" the machine

**Start Button:** For Checking machine without insert coin to "START" the machine

**Reset:** Red lighting when power connect

**Start:** Green lighting when machine start to working

**1~12 play Time adjust:**

- |                             |                             |
|-----------------------------|-----------------------------|
| 1. 1 Minute and 30 Seconds  | 7. 3 Minutes and 30 Seconds |
| 2. 1 Minute and 40 Seconds  | 8. 4 Minutes                |
| 3. 1 Minute and 50 Seconds  | 9. 4 Minutes and 30 Seconds |
| 4. 2 Minutes                | 10. 5 Minutes               |
| 5. 2 Minutes and 30 Seconds | 11. 10 Seconds for testing  |
| 6. 3 Minutes                | 12. 0                       |

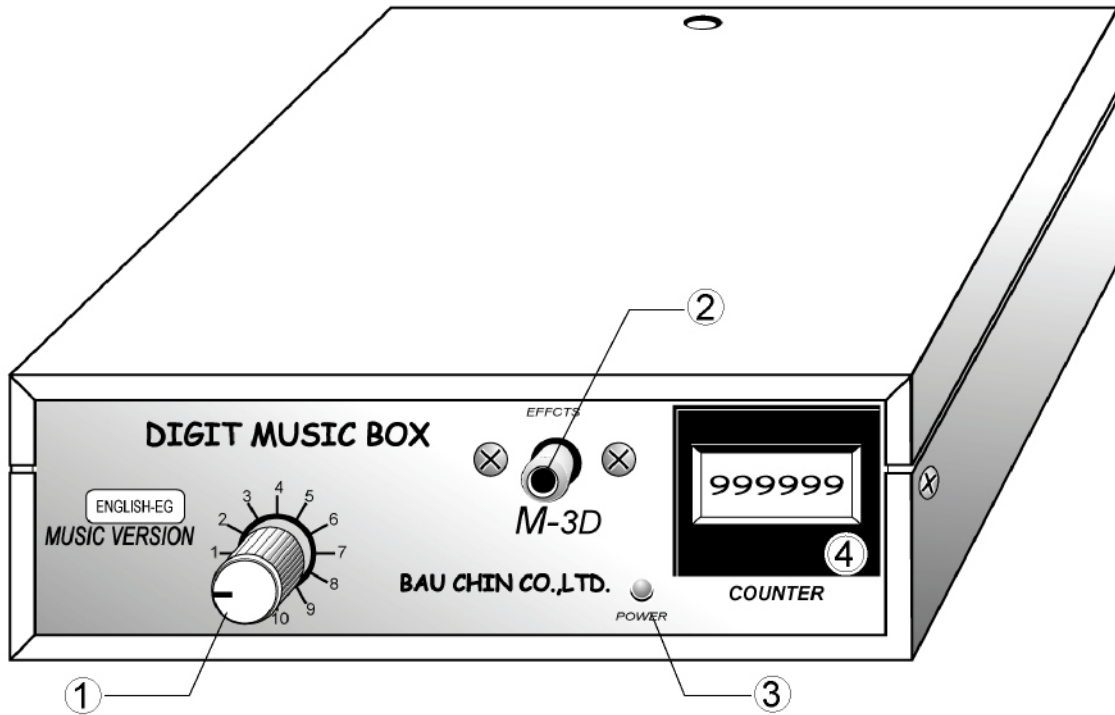


front view

side view

back view

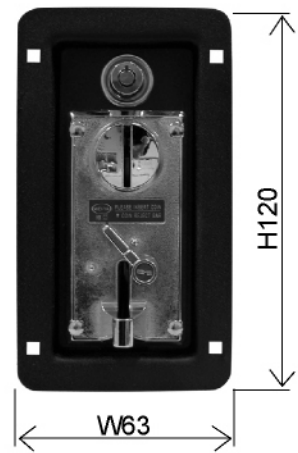
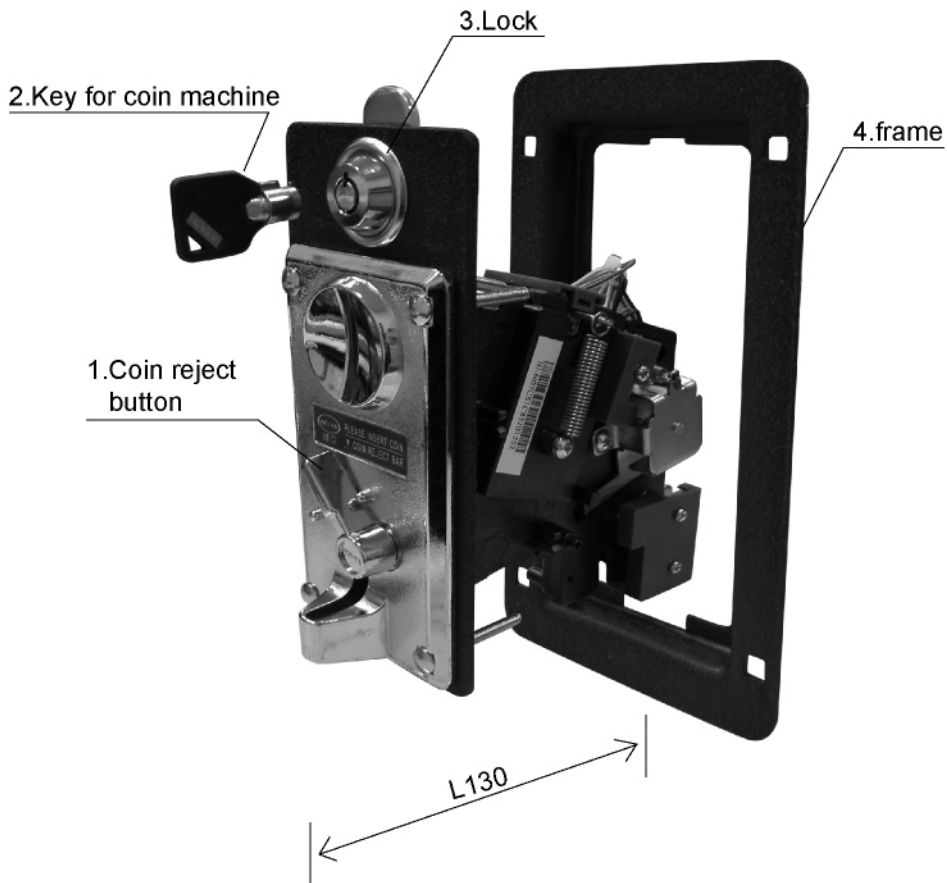
**Music Box Operating Manual**



- 1. **1-12:** Sound volumes adjust
- 2. **Sound bottom connection**
- 3. **Power light:** When power connect
- 4. **Counter:** Coin Counter
- 5. **Music:** 12 English kiddy songs to repeat



**Electronic Coin Machine Operating Manual**



size:mm

**Electronic Coin Machine Operating Manual**

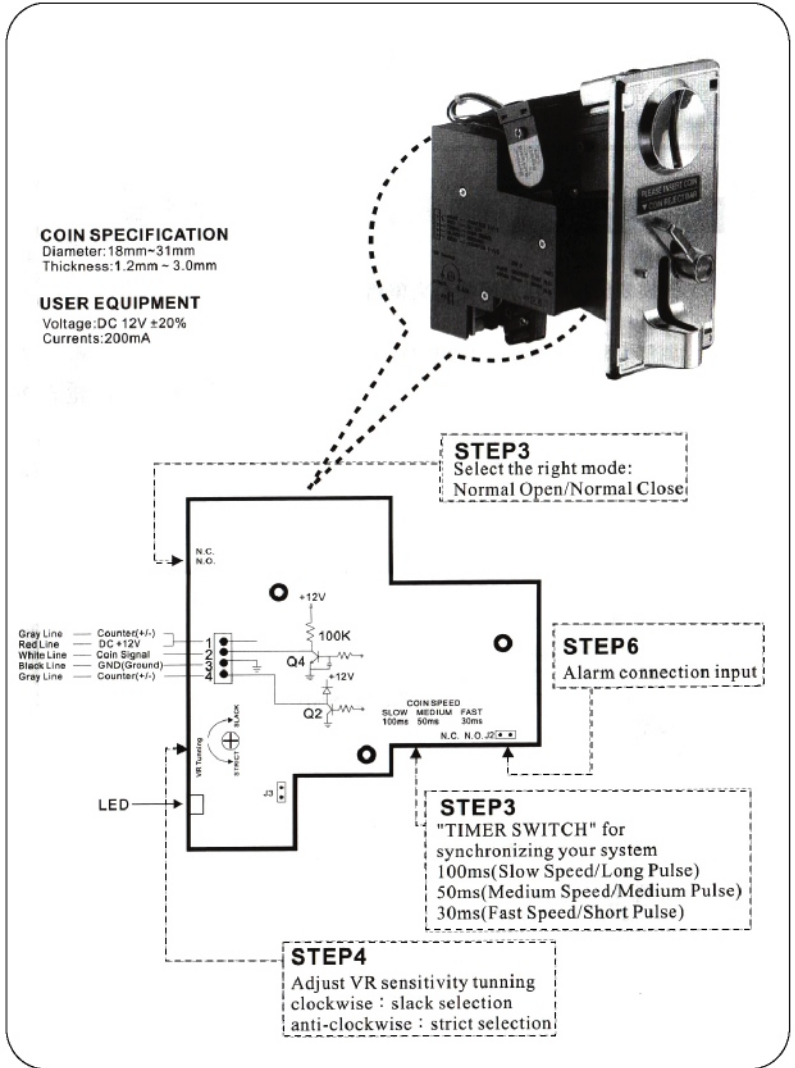
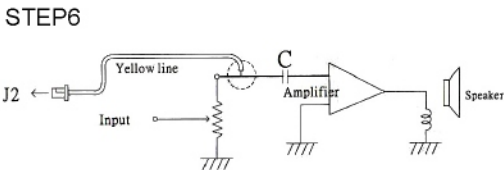
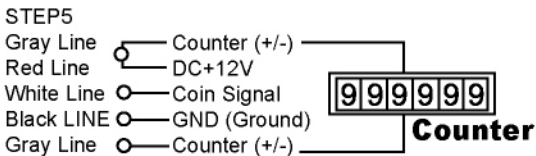
**DIDGITAL COMPARABLE ELECTRONIC**  
 INSTALLATION HI-07CS+LED

**STEP1**  
 Cheng the right coin for use from the clamp.

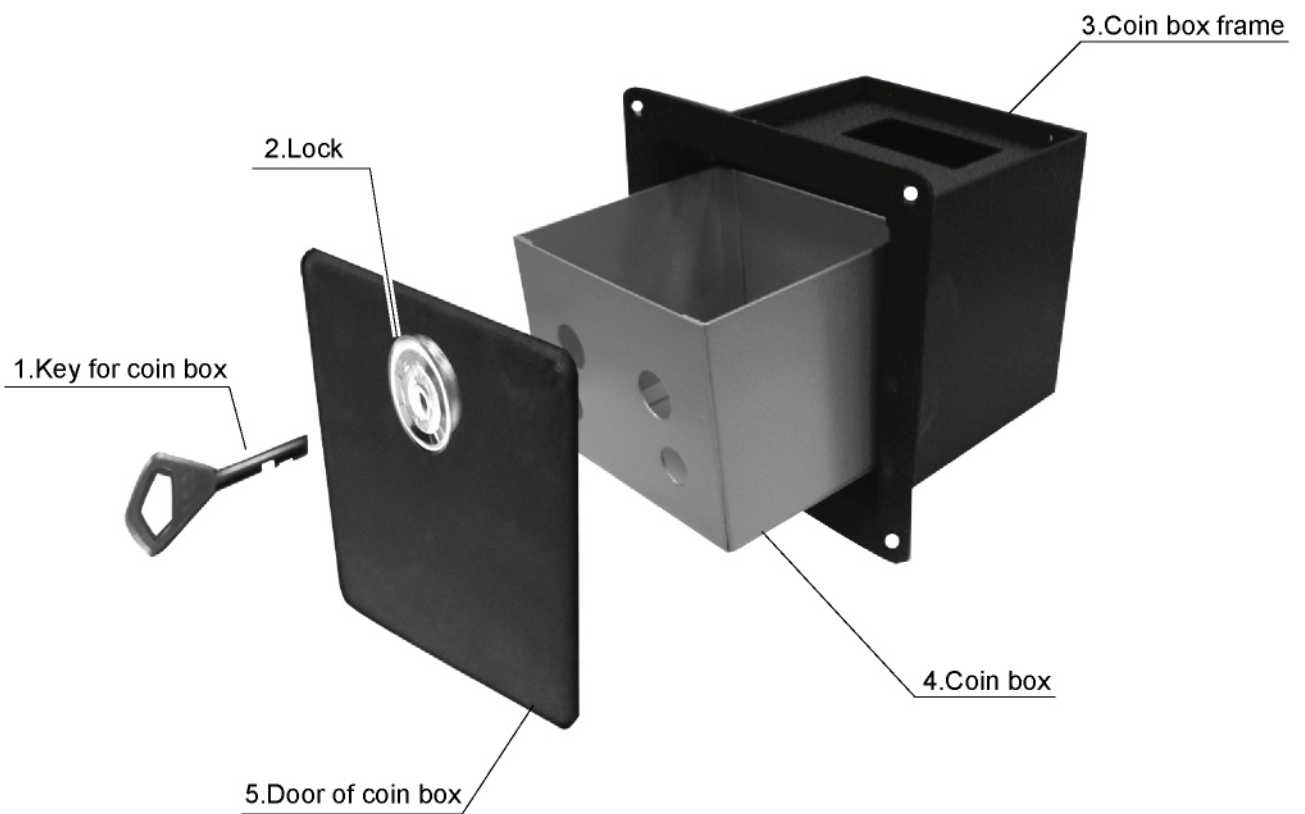
**STEP2**  
 Adjust the right insert size for use from the front panel back side.

**STEP3**  
 Select the right mode: Normal Open/ Normal Close" TIMER SWITCH" for synchronizing your system.  
 100ms (Slow Speed/ Long Pulse)  
 50ms (Medium Speed/ Medium Pulse)  
 30ms (Fast Speed/ Short Pulse)

**STEP4**  
 Adjust VR sensivity tuning  
 Clockwise: slack selection (LED dark->light)  
 Anti-clockwise: strict selection (LED light->dark)



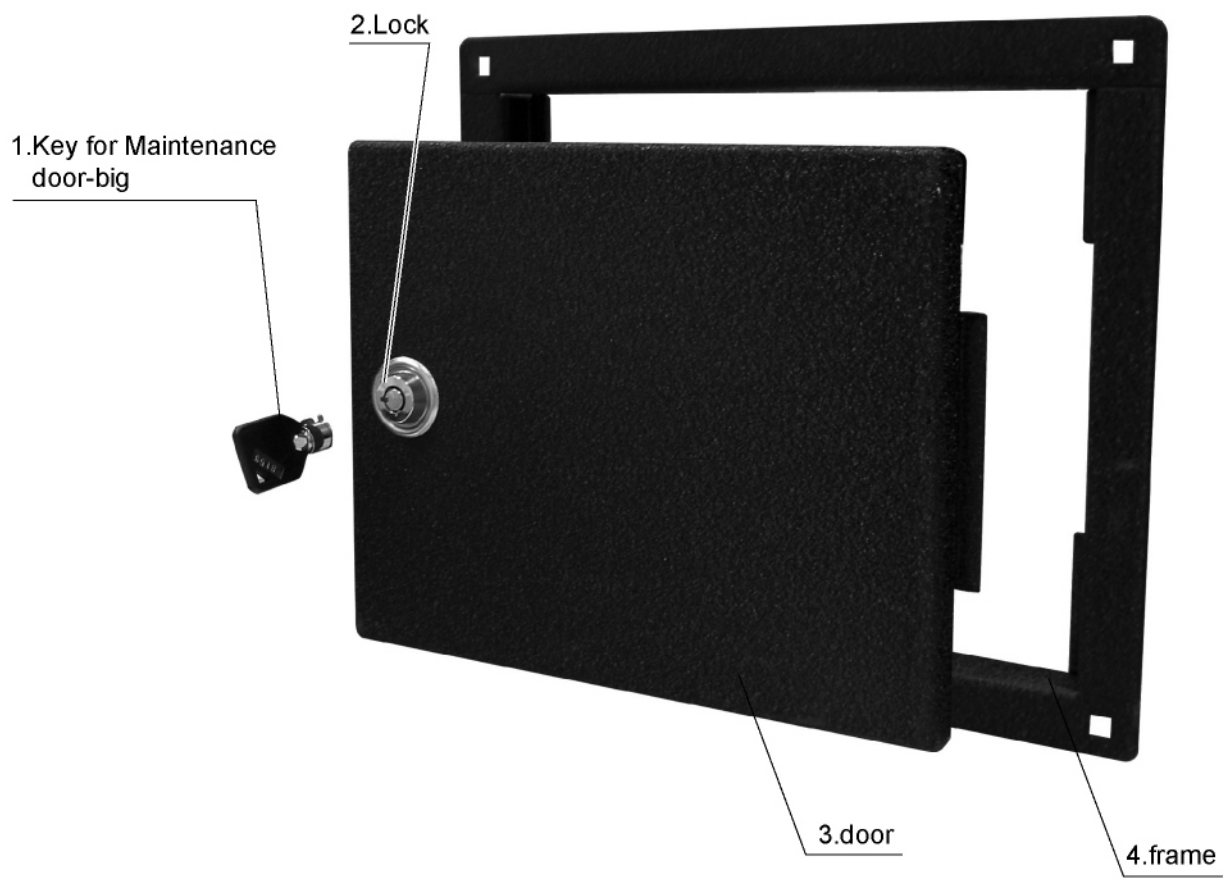
**Coin Box Manual**



size: W175mm x L145mm x H175mm



**Maintenance Door-Big Manual**



size: W267mm x L20mm x H232mm

Part list - Little Ladybird FRP Model Assembly

**Item not illustrated**

<b>Item No</b>	<b>Part No</b>	<b>Description</b>	<b>QTY</b>
-	FM-001	Little Ladybird FRP Model	
1	FC-P0041	Light#7	2
2	FC-P0015	Steering wheel#1	2
3	FC-P0006	Electronic coin machine	1
4	FC-P0007	Coin box	1
5	FC-S0026	Little Ladybird FRP	1
6	FC-P0042	Light#8	14
7	FC-P0029	Maintenance door-big	1
8	FC-P0001	Double frame	1
9	FC-M0003	Music box	1
10	FC-P0003	Controller	1
11	FC-P0044	LED light PCB	1
12	FC-P0043	Light#9	2
13	FC-P0032	Power-plug locates at rear of base	1
14	FC-S0027	Base of garden shape	1
15	FC-P0025	Wheel	4
16	FC-P0024	Fixer	4
17	FC-P0045	Ladder#3	2
18	FC-P0046	Handlebar#3	2
19	FC-P0027	Key#1	1
20	FC-P0028	Key#2	1
s1	FC-ST001	Warning sign sticker	2
s2	FC-ST013	Sticker(Little Ladybird)	1