

**FC-095**  
**Classical Train**



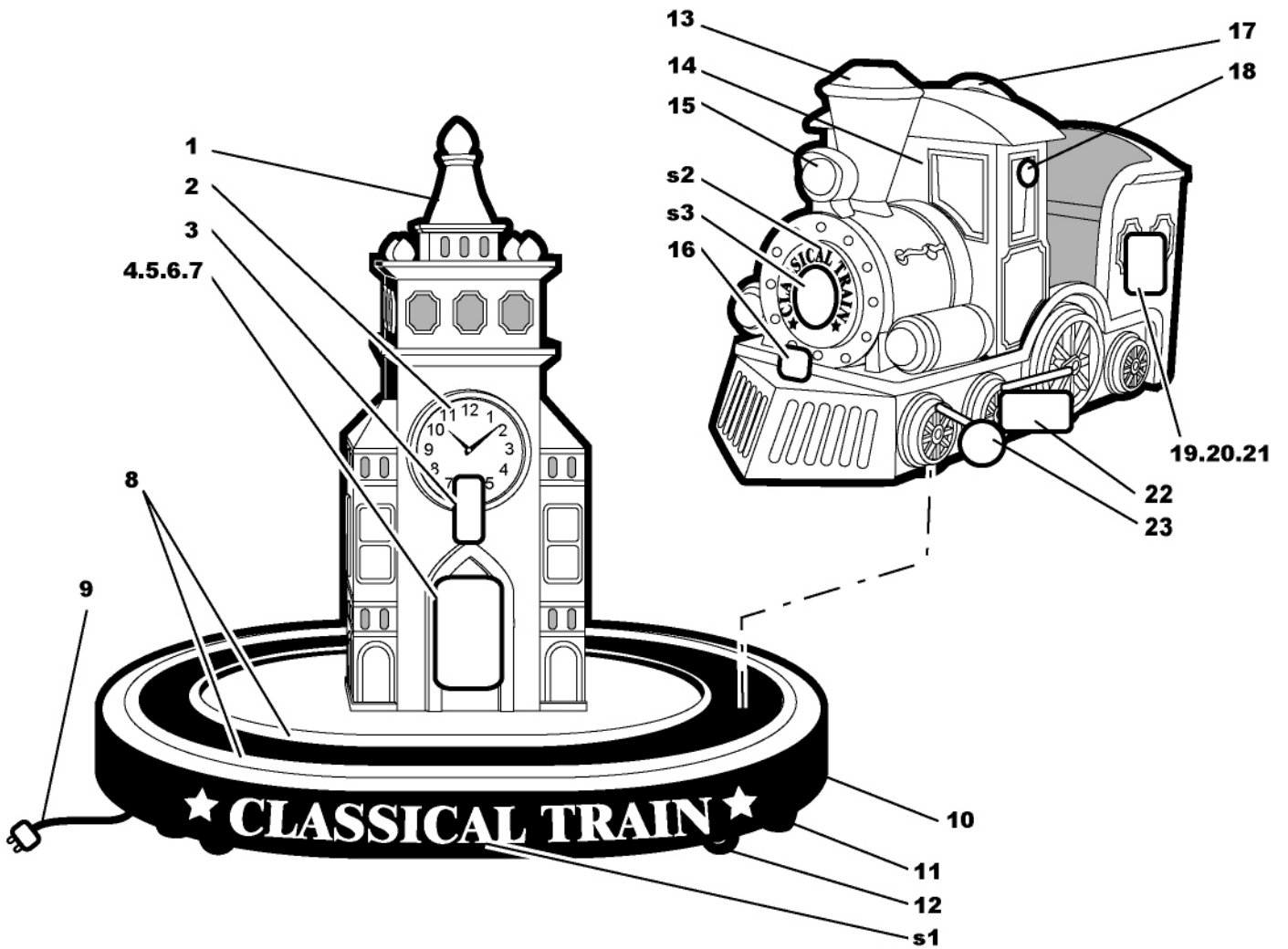
**Specification**

**Dimension** L190 x W150 x H150 cm

**Weight** 120 kgs

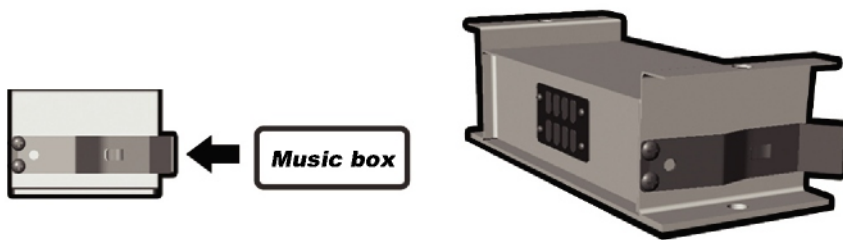
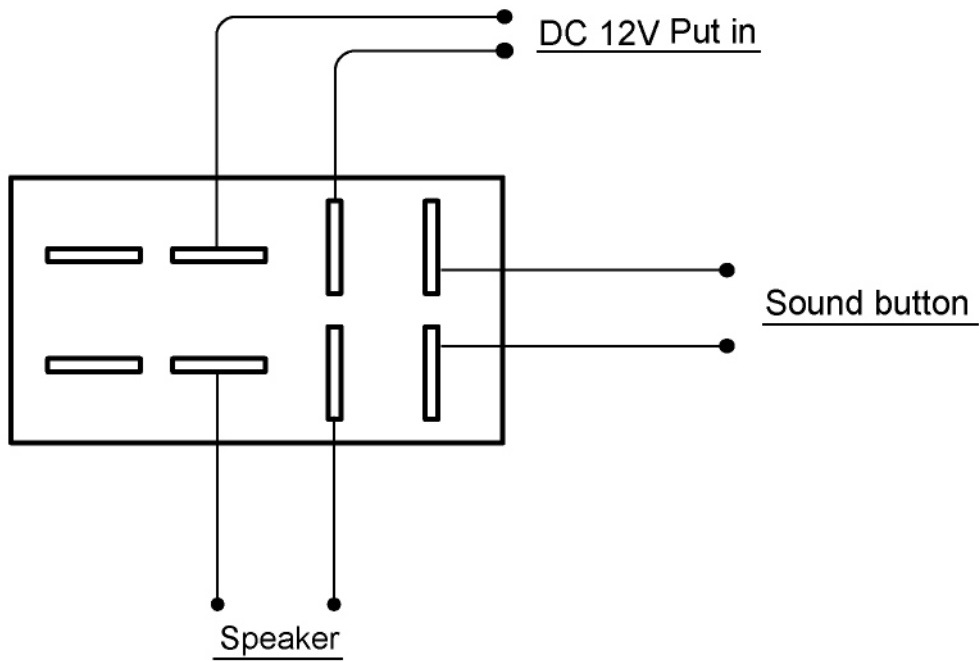
**Voltage** 110V AC, 60Hz, 3A, Max 6A  
220V AC, 50Hz, 3A, Max 6A

**Classical Train Detail Manual**



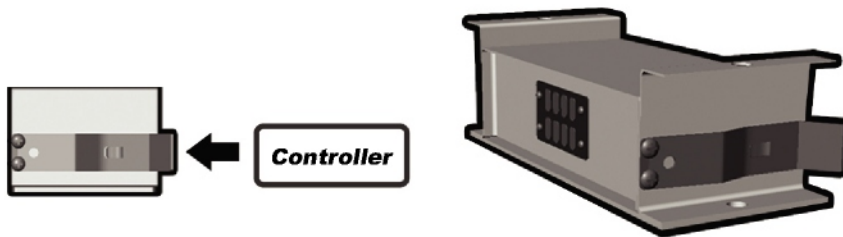
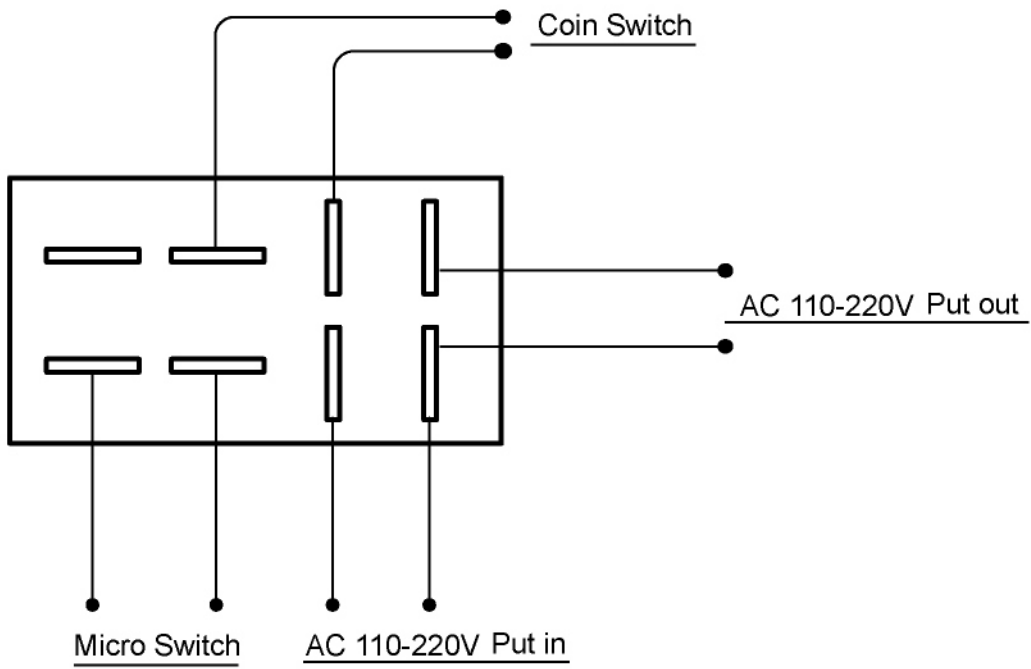
- |                                       |                                |                              |
|---------------------------------------|--------------------------------|------------------------------|
| 1. Train station FRP                  | 11. Fixer                      | 21. Music Box – Train Sounds |
| 2. Clock                              | 12. Wheel                      | 22. Motor                    |
| 3. Electronic coin machine(key#1)     | 13. Train FRP                  | 23. Stainless steel wheel    |
| 4. Control door(key#1)                | 14. Light#11                   | s1~s3. Sticker               |
| 5. Coin box(key#2)                    | 15. Light#2                    |                              |
| 6. Single frame for controller        | 16. Sensor                     |                              |
| 7. Controller                         | 17. Steering Wheel#2           |                              |
| 8. Track with AC 12V                  | 18. Sound button               |                              |
| 9. Power-plug locates at rear of base | 19. Maintenance door-big       |                              |
| 10. FRP base                          | 20. Single frame for music box |                              |

**Single Frame For Music Box Wire Manual**



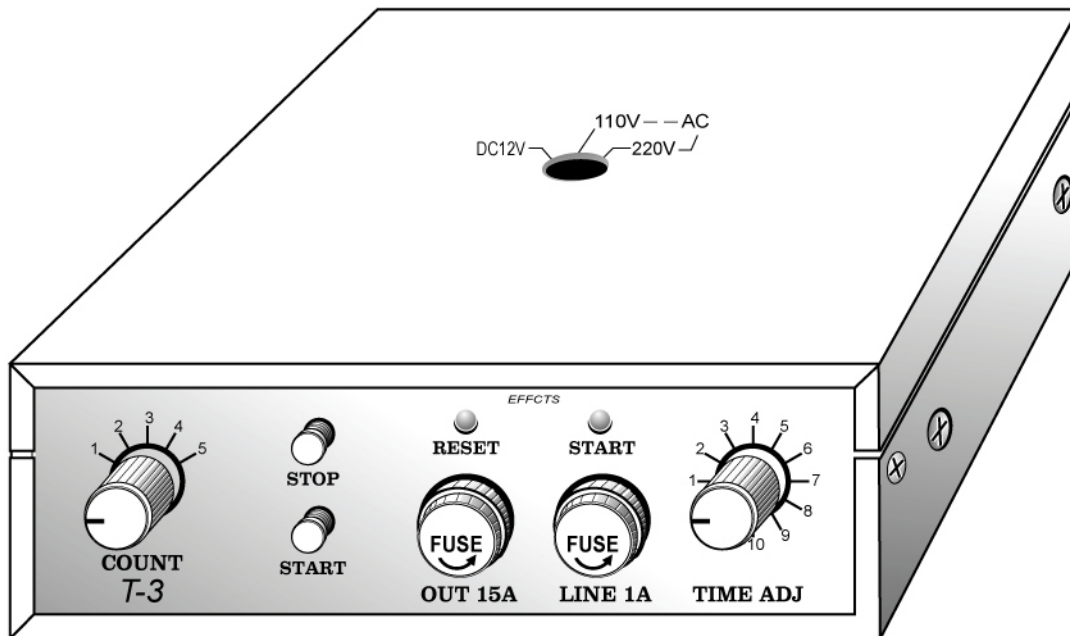
size: W188mm x L78mm x H57mm

**Single Frame For Controller Wire Manual**



size: W188mm x L78mm x H57mm

**Controller Operating Manual**



**Count:** Adjust the coin from 1 coin to 5 coins

**Stop Button:** For Checking machine without insert coin to "STOP" the machine

**Start Button:** For Checking machine without insert coin to "START" the machine

**Reset:** Red lighting when power connect

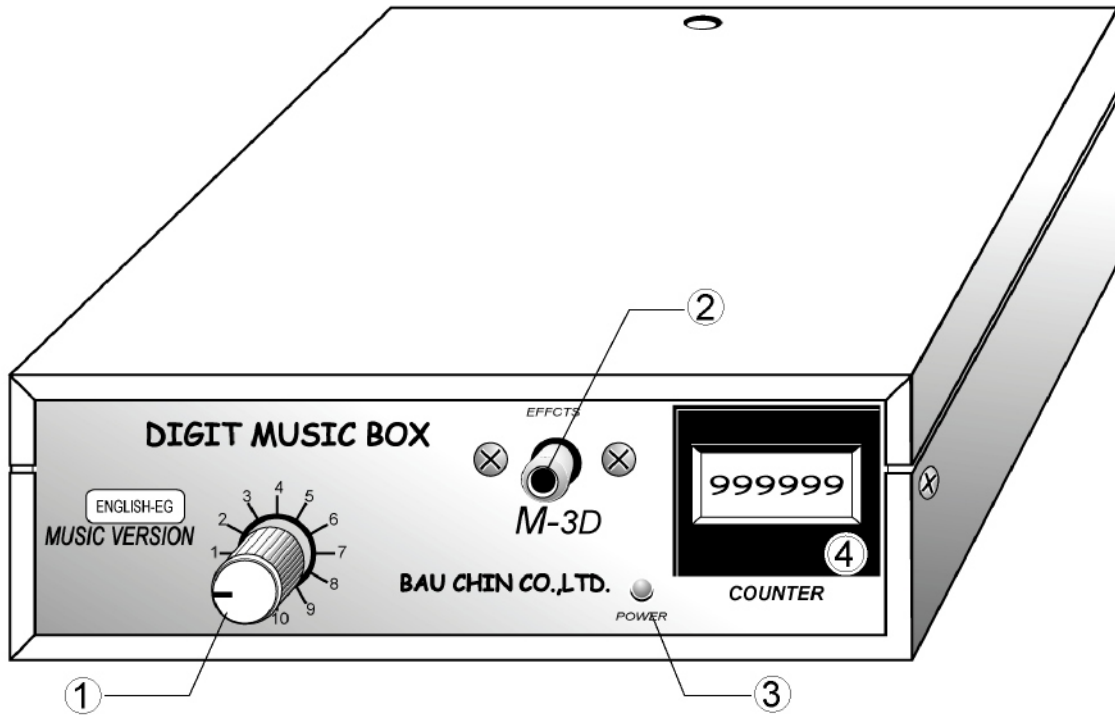
**Start:** Green lighting when machine start to working

**1~12 play Time adjust:**

- |                             |                             |
|-----------------------------|-----------------------------|
| 1. 1 Minute and 30 Seconds  | 7. 3 Minutes and 30 Seconds |
| 2. 1 Minute and 40 Seconds  | 8. 4 Minutes                |
| 3. 1 Minute and 50 Seconds  | 9. 4 Minutes and 30 Seconds |
| 4. 2 Minutes                | 10. 5 Minutes               |
| 5. 2 Minutes and 30 Seconds | 11. 10 Seconds for testing  |
| 6. 3 Minutes                | 12. 0                       |



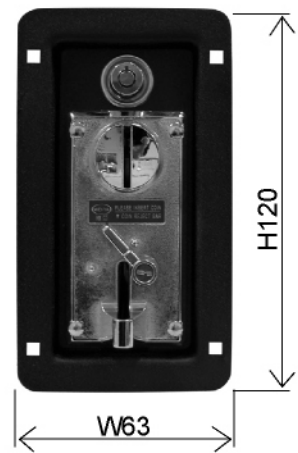
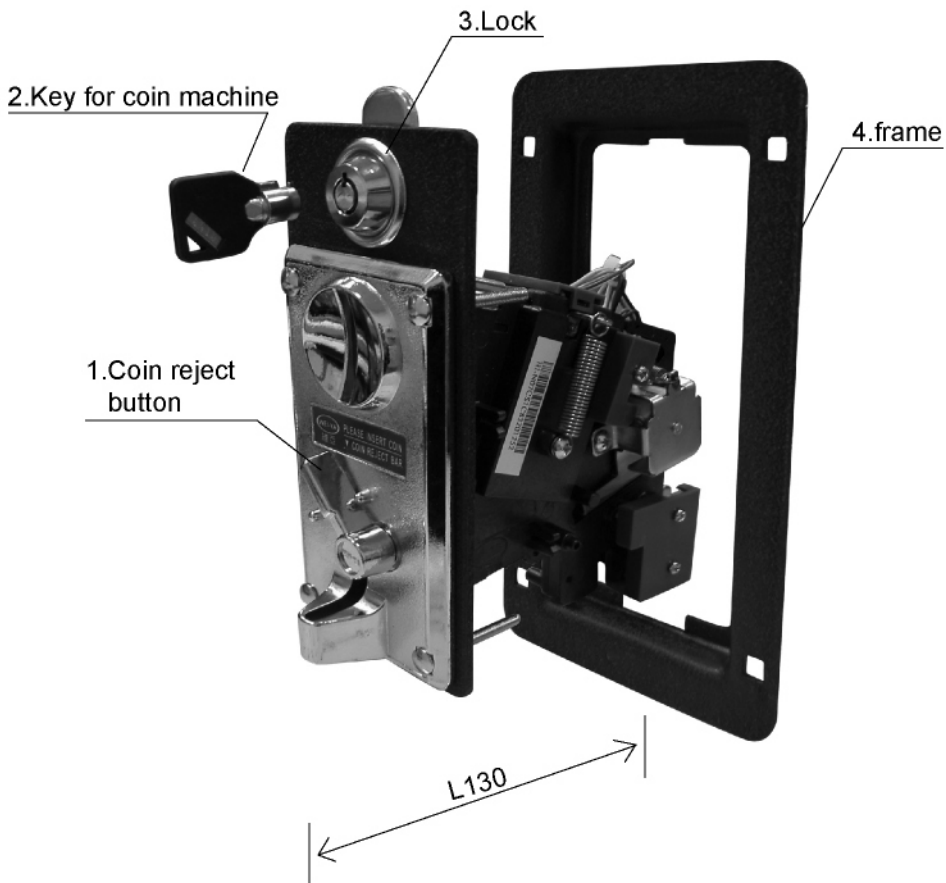
**Music Box Operating Manual**



1. **1-12:** Sound volumes adjust
2. **Sound bottom connection**
3. **Power light:** When power connect
4. **Counter:** Coin Counter
5. **Music:** 12 English kiddy songs to repeat



**Electronic Coin Machine Operating Manual**



size:mm

**Electronic Coin Machine Operating Manual**

**DIDGITAL COMPARABLE ELECTRONIC**

INSTALLATION HI-07CS+LED

**STEP1**

Cheng the right coin for use from the clamp.

**STEP2**

Adjust the right insert size for use from the front panel back side.

**STEP3**

Select the right mode: Normal Open/ Normal Close" TIMER SWITCH" for synchronizing your system.

100ms (Slow Speed/ Long Pulse)

50ms (Medium Speed/ Medium Pulse)

30ms (Fast Speed/ Short Pulse)

**STEP4**

Adjust VR sensivity tunning

Clockwise: slack selection (LED dark->light)

Anti-clockwise: strict selection (LED light->dark)

**STEP5**

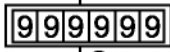
Gray Line Counter (+/-)

Red Line DC+12V

White Line Coin Signal

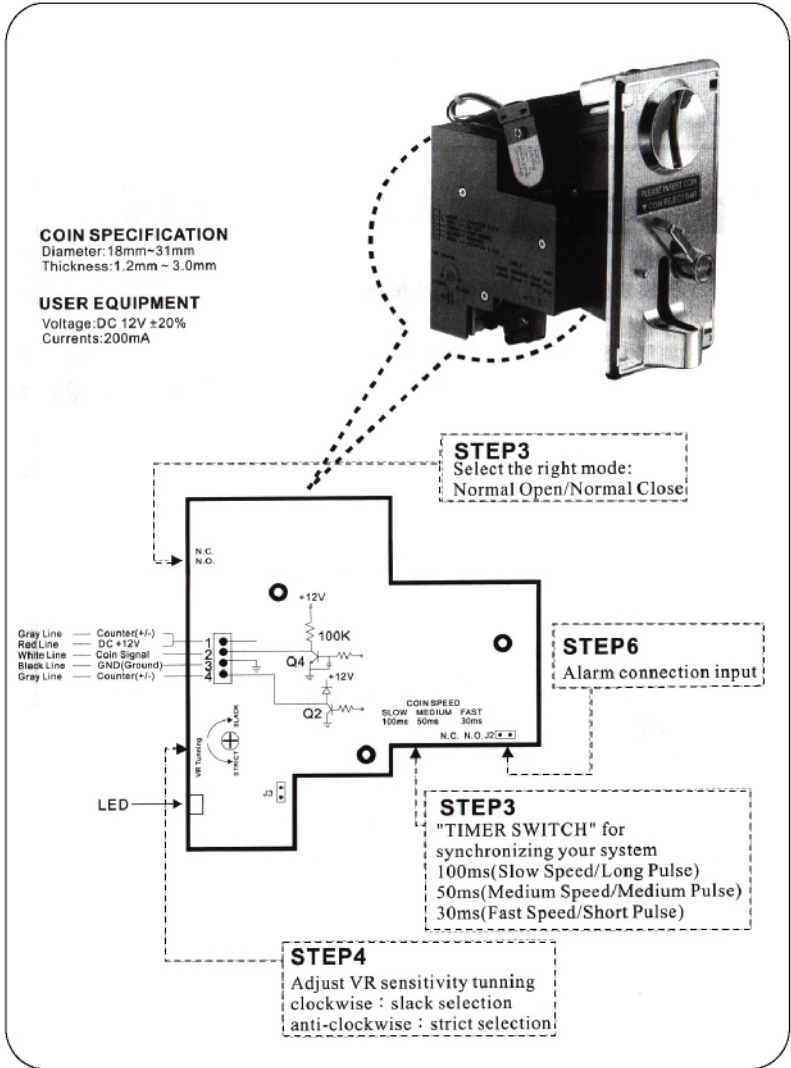
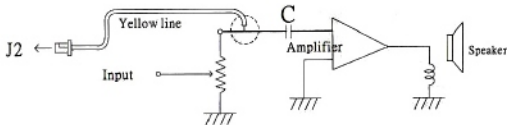
Black LINE GND (Ground)

Gray Line Counter (+/-)



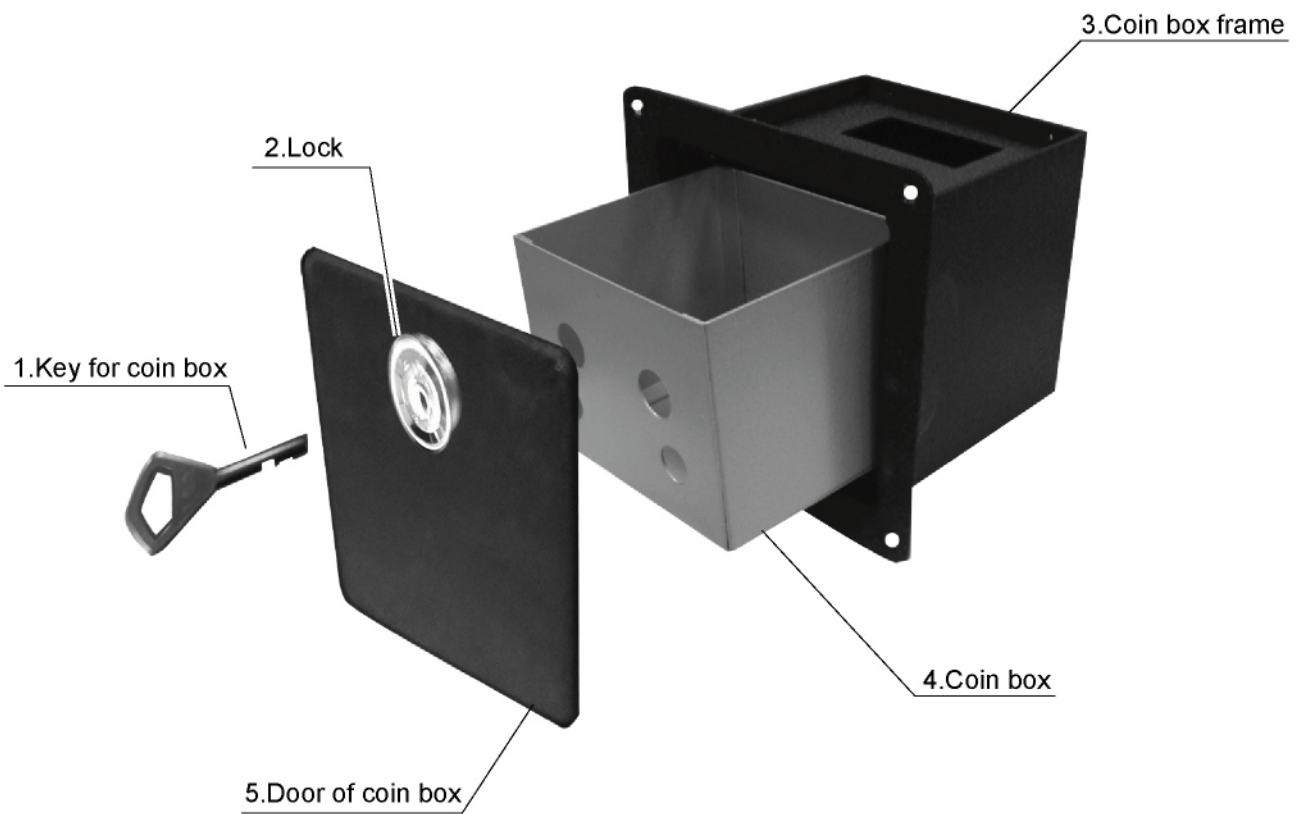
**Counter**

**STEP6**



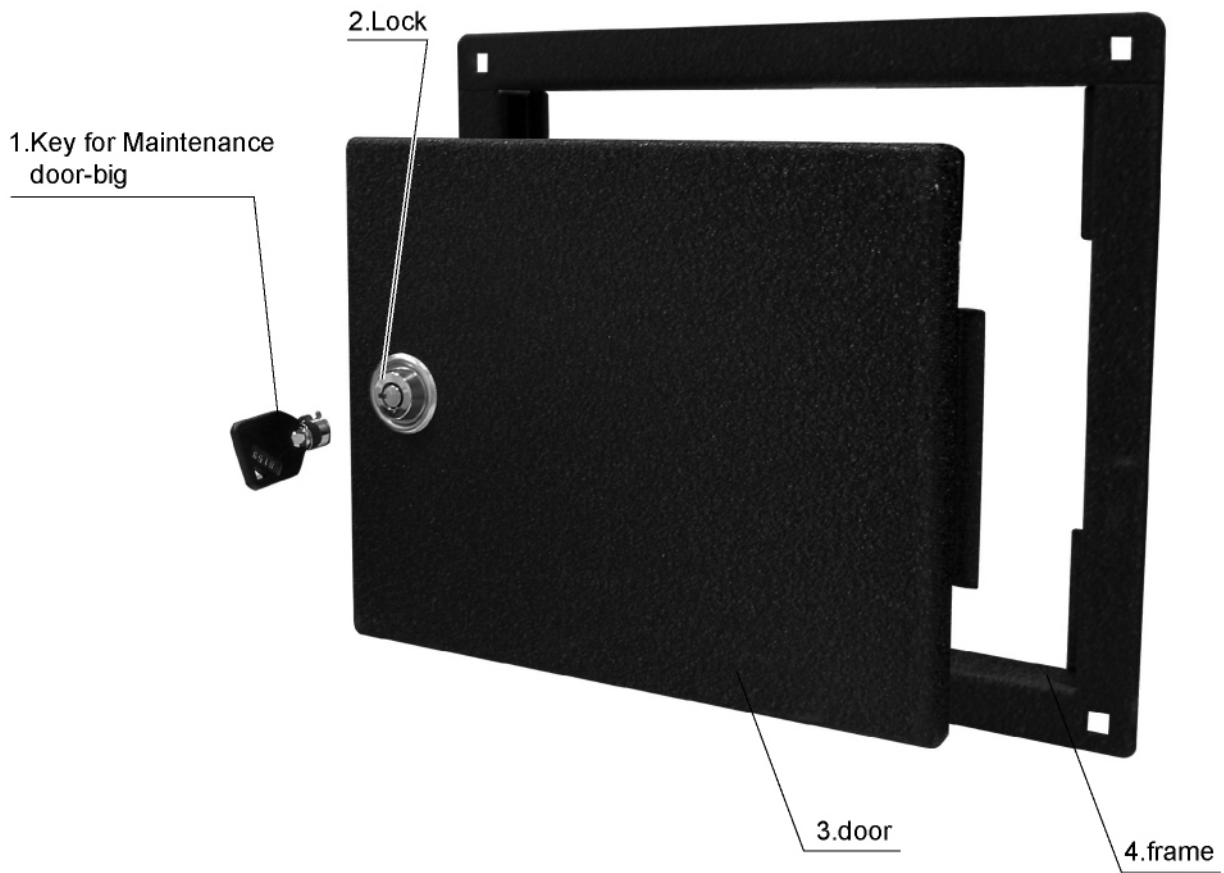


**Coin Box Manual**



size: W175mm x L145mm x H175mm

**Maintenance Door-Big Manual**



size: W267mm x L20mm x H232mm

Part list - Classical Train FRP Model Assembly

**Item not illustrated**

<b>Item No</b>	<b>Part No</b>	<b>Description</b>	<b>QTY</b>
-	FM-001	Classical Train FRP Model	
1	FC-S0058	Train station FRP	1
2	FC-P0100	Clock	1
3	FC-P0026	Electronic coin machine	1
4	FC-S0059	Control door	1
5	FC-P0007	Coin box	1
6	FC-P0098	Single frame for controller	1
7	FC-P0003	Controller	1
8	FC-P0101	Track with AC 12V	1
9	FC-P0032	Power-plug locates at rear of base	1
10	FC-S0060	FRP base	1
11	FC-P0024	Fixer	4
12	FC-P0025	Wheel	4
13	FC-S0061	Train FRP	1
14	FC-P0082	Light#11	1
15	FC-P0021	Light#2	3
16	FC-P0008	Sensor	1
17	FC-P0016	Steering Wheel#2	1
18	FC-P0054	Sound button	1
19	FC-P0029	Maintenance door-big	1
20	FC-P0097	Single frame for music box	1
21	FC-M0002	Music Box – Train Sounds	1
22	FC-P0009	Motor	1
23	FC-P0096	Stainless steel wheel	1
24	FC-P0027	Key#1	1
25	FC-P0028	Key#2	1
s1	FC-ST017	Sticker#1(Classical Train-big)	2
s2	FC-ST018	Sticker#2(Classical Train-small)	1
s3	FC-ST007	Sticker#3(FYC Sticker)	1