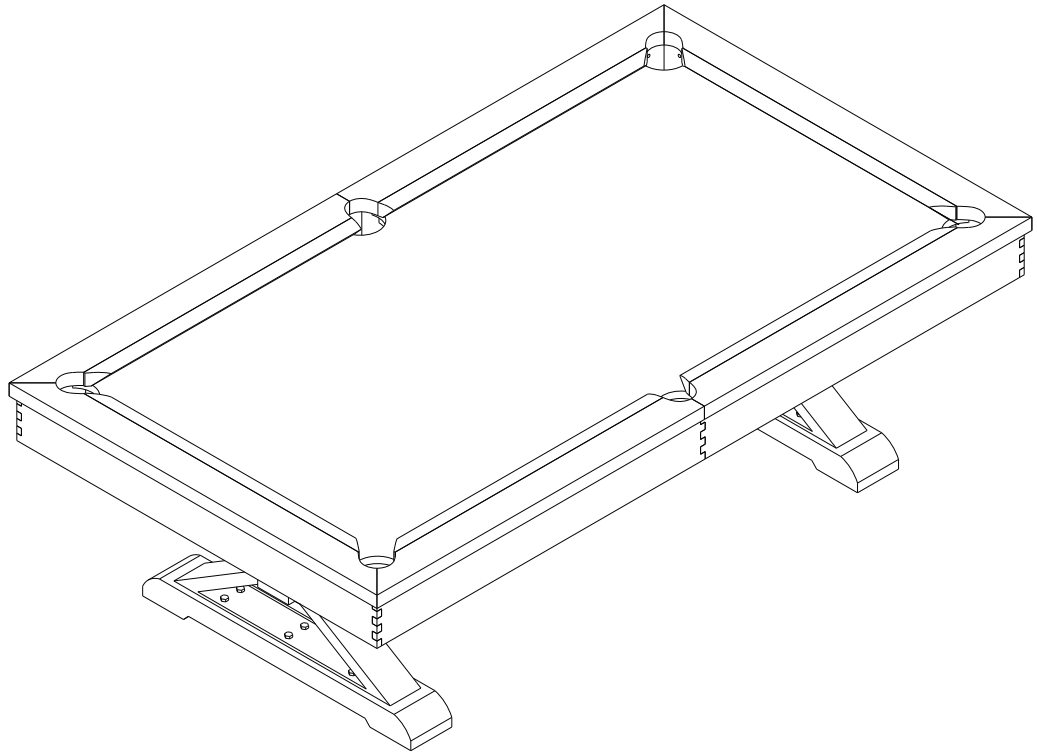


ASSEMBLY INSTRUCTIONS



Santa Fe
Slate Pool Table





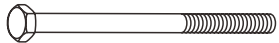


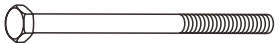











Congratulations on selecting a Santa Fe slate pool table. Please contact us via email at support@playcraft.com should you require any assistance.

Please carefully read all safety instructions and directions before proceeding

- 1) Your table is designed for use indoors in a climate controlled environment only. Damage can occur if the table is exposed to water, dampness, high humidity, freezing temperatures, etc.
- 2) Professional assembly is strongly recommended. This assembly manual is intended to guide an experienced slate pool table installer with the assembly process of this specific cabinet. It does not guide on setting the slate or attaching the billiard cloth for which the process is the same regardless of the cabinet type.
- 2) The pool table cabinet and slate are extremely heavy. Two or more people are required for assembly.
- 3) The table must be assembled in the final location where the table will be played. Attempting to move the table once assembled could result in damage to the table or serious injury.
- 5) Only use the table for its intended purpose.
- 6) Damaged or worn parts may be dangerous for users and the integrity of the table. Replace worn or damaged components immediately and do not use the table until any issues have been resolved. For best results, use only spare parts supplied by Playcraft.
- 7) Unauthorized repairs or altering the table's design or functions may be dangerous and will void the warranty.
- 8) Check all screws, bolts, etc. on a regular basis to ensure that they are in good working condition and have not loosened over time.
- 9) Over time, pool tables may require releveling. This is considered normal maintenance as required with owning a slate pool table

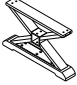
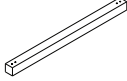
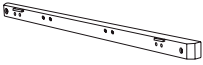
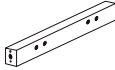

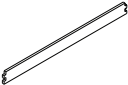


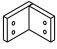
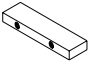
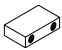






Parts List - hardware *images not to scale

PACKAGE	ITEM#	IMAGE	DESCRIPTION	QTY.
LEG/PANEL	H1		HEX HEAD CROSS BOLT 3/8" X 1-3/4"(M10X45mm)	8
	H2		FLAT WASHER 3/8" I.D.	8
	H3		HEX HEAD CROSS BOLT 3/8" X 5-1/8"(M10X130mm)	8
	H4		FLAT WASHER 3/8" I.D.	8
	H5		NUT 3/8" I.D.	8
BEAM/BLOCK	H6		HEX BOLT 3/8" X 5-1/8"(M10X130mm)	4
	H7		FLAT WASHER 3/8" I.D.	4
	H8		NUT 3/8" I.D.	4
	H9		HEX HEAD CROSS BOLT 5/16" X 2"(M8X51mm)	4
	H10		FLAT WASHER 5/16" I.D.	4
	H11		HEX HEAD CROSS BOLT 5/16" X 3-1/8"(M8X80mm)	16
	H12		FLAT WASHER 5/16" I.D.	16
RAIL/POCKET/SLATE	H13		FLAT HEAD SCREW 1/4" X 2-3/4"(M6X70mm)	12
	H14		STUD BOLT 5/16" X 5-1/2"(M8X140mm)	2
	H15		STUD BOLT 5/16" X 3-1/2"(M8X88mm)	4
	H16		FLAT WASHER 5/16" I.D.	12
	H17		HEX NUT 5/16" I.D.	12



Parts List - cabinet

PACKAGE	ITEM#	IMAGE	DESCRIPTION	QTY.
LEG	1		LEG	2
	2		LEG BEAM	1
FRAME(PANEL)	3		SIDE CABINET	2
	4		END CABINET	2
	5		LEFT SIDE APRON	2
	6		RIGHT SIDE APRON	2
	7		END APRON	2
	8		APRON JOINT CONNECTOR BLOCK	2
	9		APRON JOINT CORNER BLOCK	4
	10		LONG WOODEN BLOCK	4
	11		SHORT WOODEN BLOCK	4
BEAM	12		CROSS BEAM	2
TOP RAIL	13		TOP RAIL LEFT SIDE	2
	14		TOP RAIL RIGHT SIDE	2
	15		TOP RAIL END	2





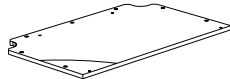
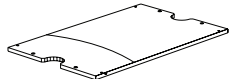
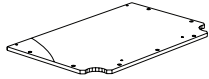


REPLACEMENT PARTS LIST				
PACKAGE	ITEM#	IMAGE	DESCRIPTION	QTY.
POCKET	16		SIDE POCKET	2
	17		CORNER POCKET	4
SLATE	18		SLATE (LEFT)	1
	19		SLATE (CENTER)	1
	20		SLATE (RIGHT)	1
	21		CLOTH	1
	22		WOOD PEG	12



FIG.1

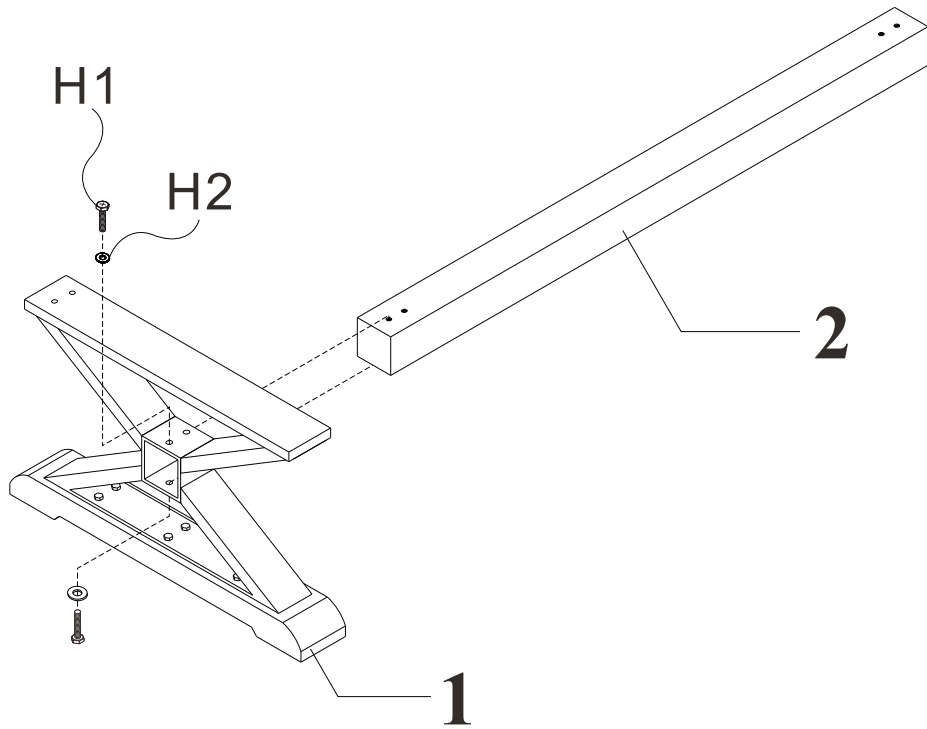


FIG.2

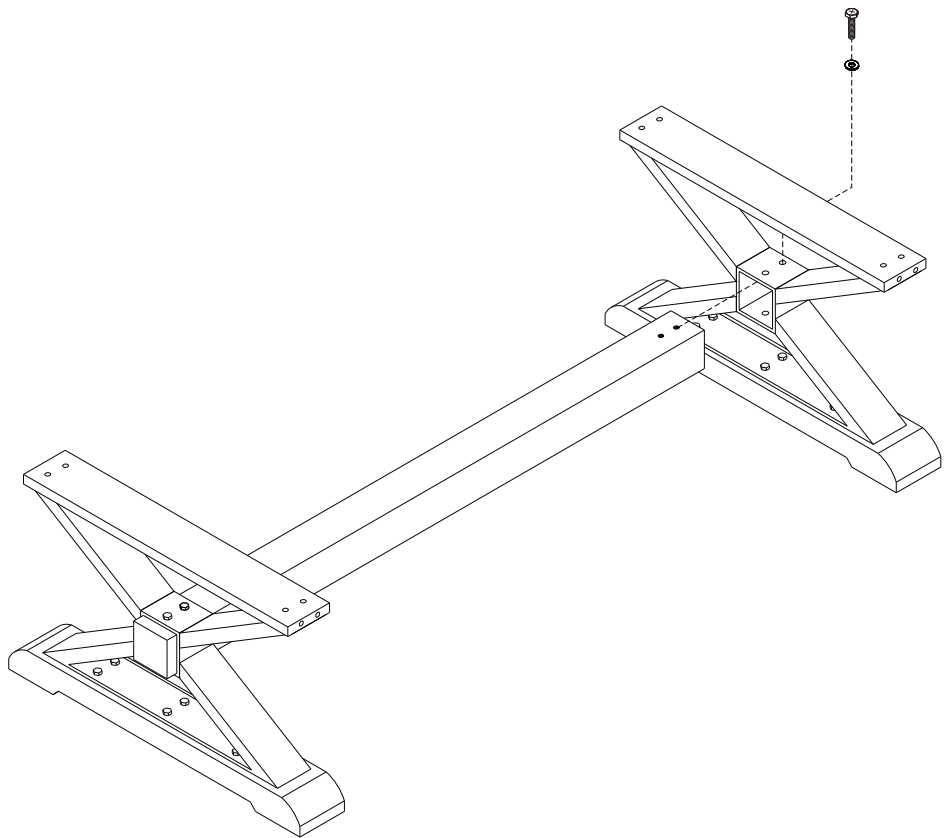




FIG.3

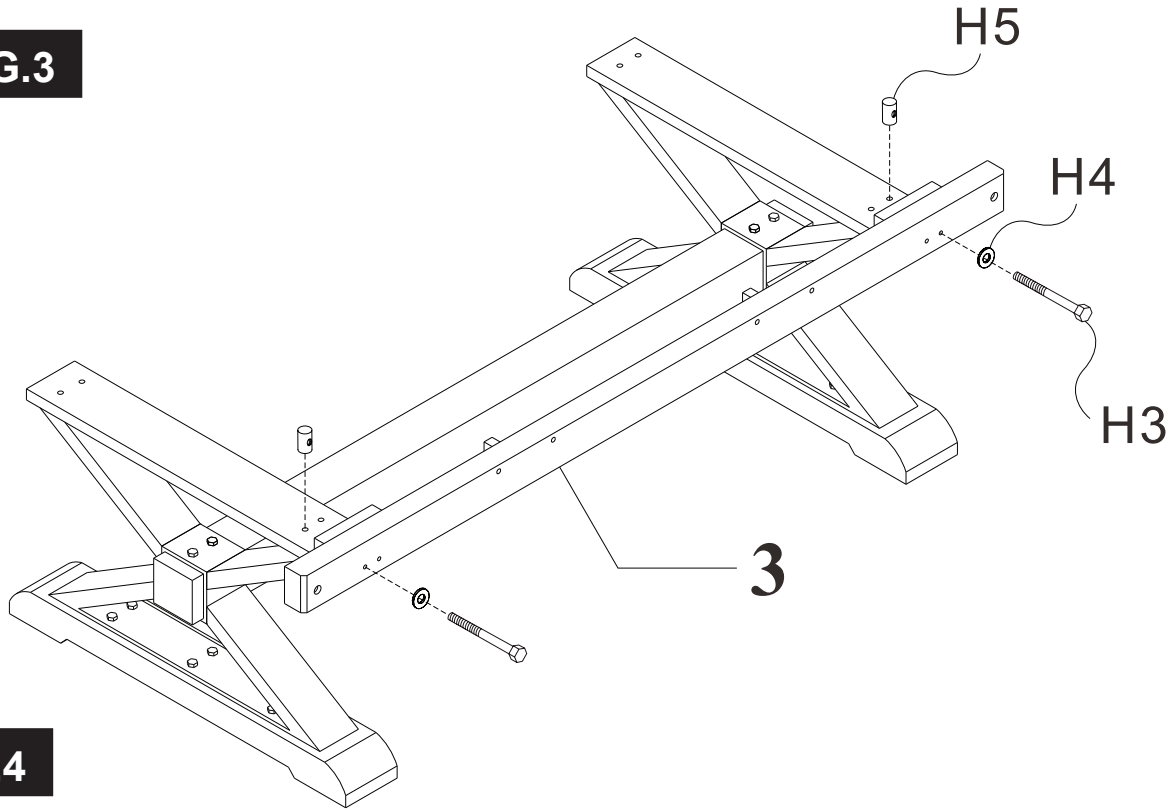


FIG.4

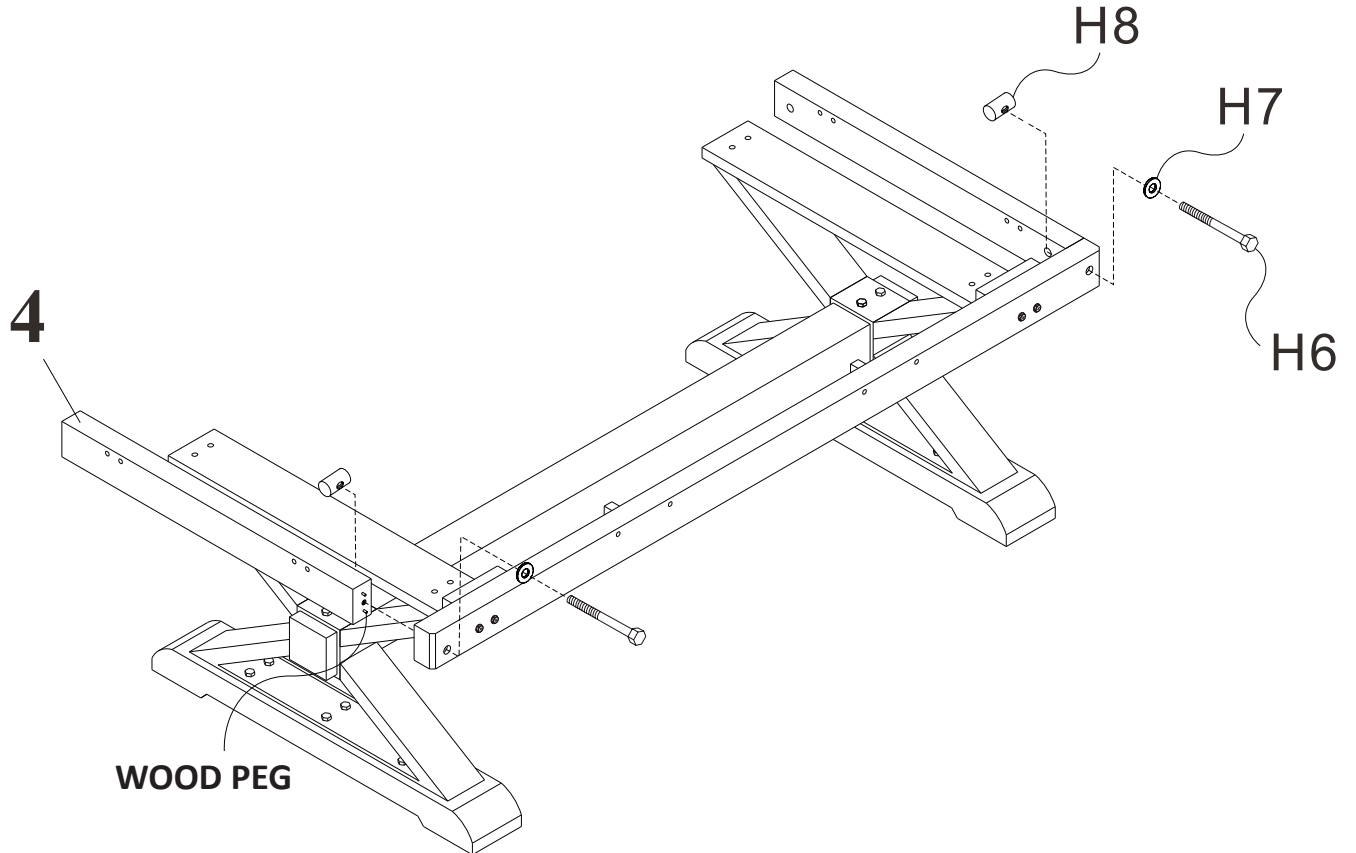




FIG.5

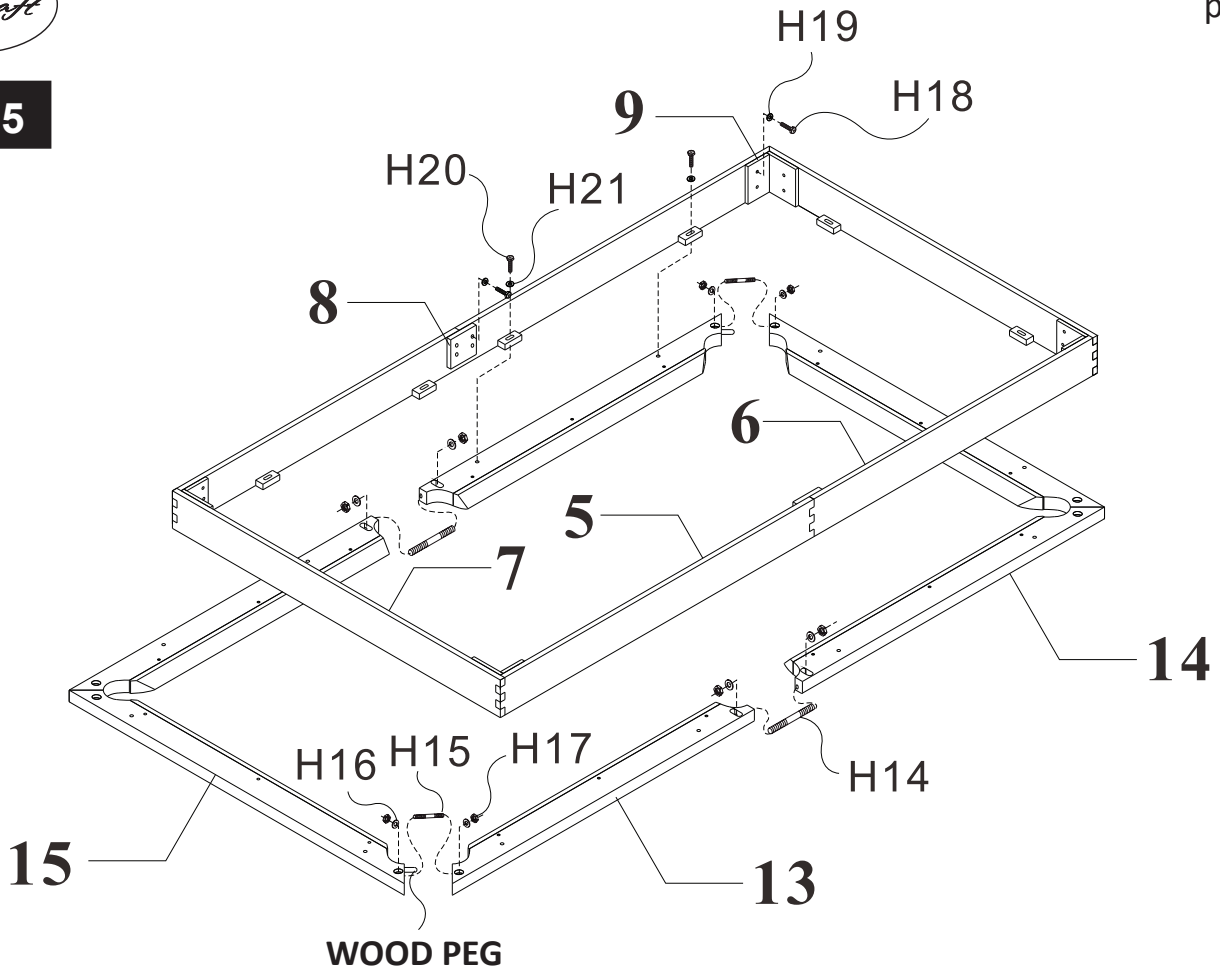
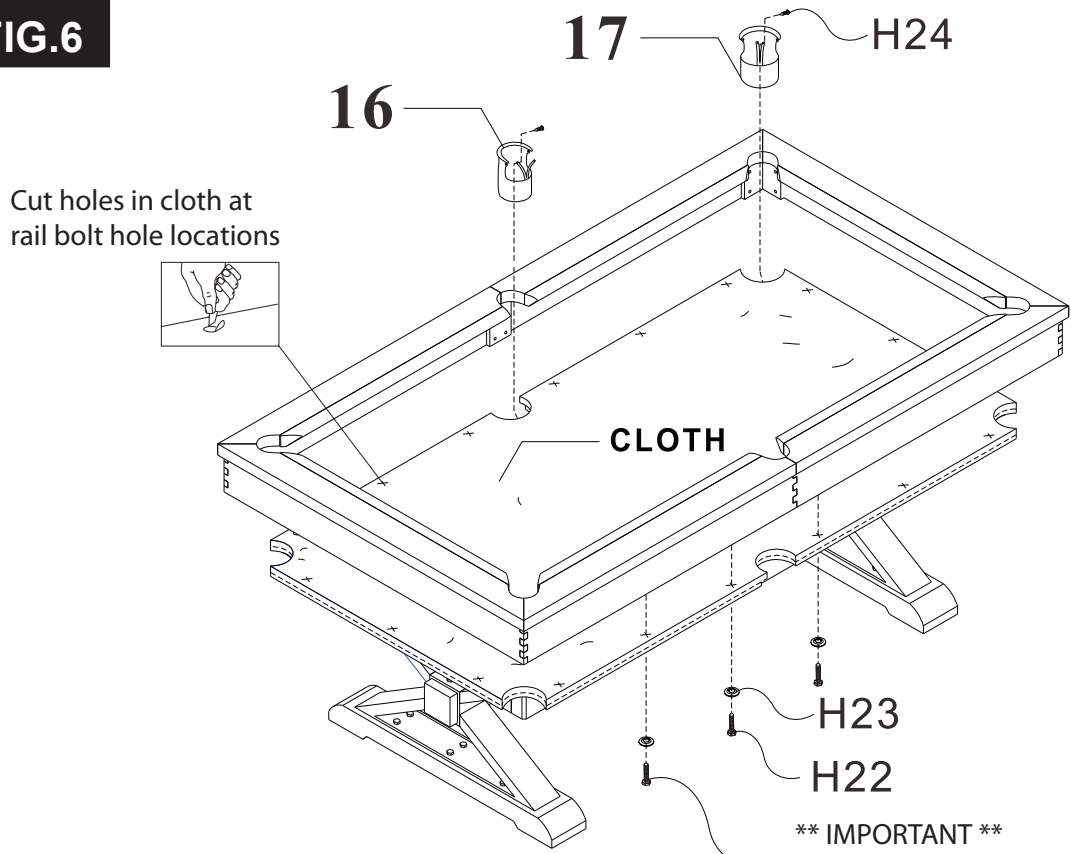


FIG.6

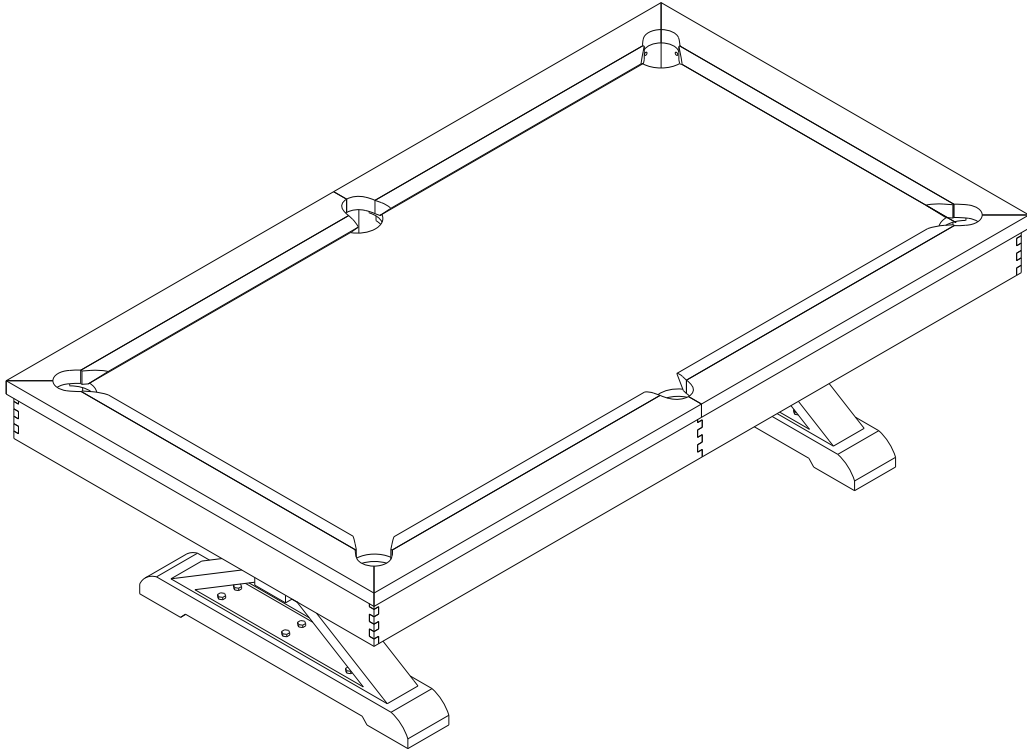


**** IMPORTANT ****

Do not use power tools to tighten H22 bolts
Tighten by hand only



FINISHED





Customer Service

For questions on assembly or for missing or damaged parts, please contact us via email at support@playcraft.com. Please visit our website at www.playcraft.com to see more industry leading Playcraft and Playcraft Sport game tables.

Thank you for choosing Playcraft!

Global Merchants, Inc.
12 Lunar Drive
Woodbridge, CT 06525