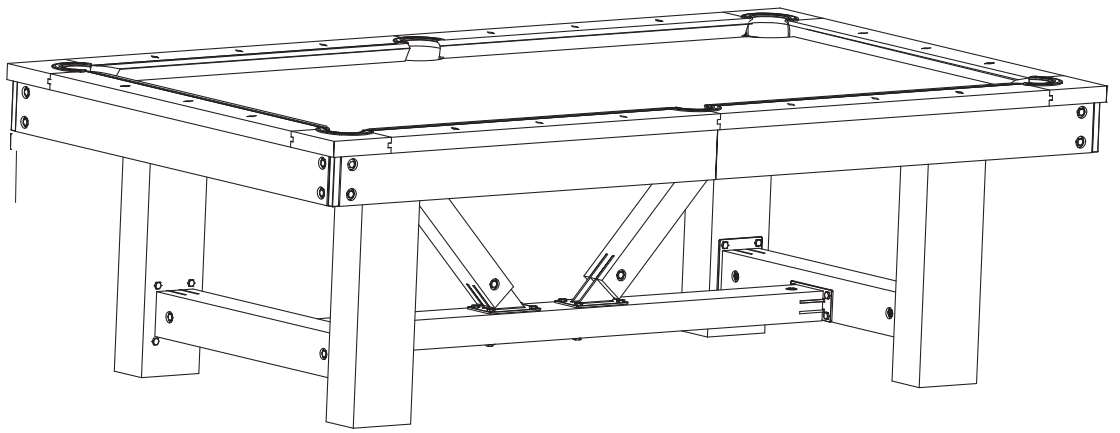


ASSEMBLY INSTRUCTIONS



Willow Bend

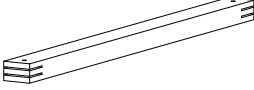



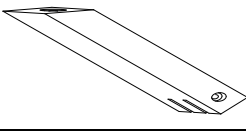
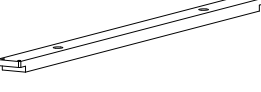

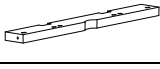
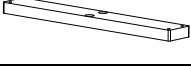
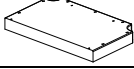



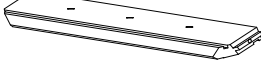
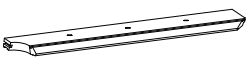

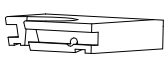

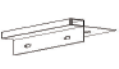



Congratulations on selecting a Willow Bend slate pool table - part of the Fairfield Collection by Playcraft. Please contact us via email at support@playcraft.com should you require any assistance.

Please carefully read all safety instructions and directions before proceeding







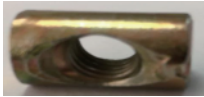



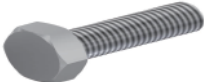
- 1) Your table is designed for use indoors in a climate controlled environment only. Damage can occur if the table is exposed to water, dampness, high humidity, freezing temperatures, etc.
- 2) Professional assembly is strongly recommended. This assembly manual is intended to guide an experienced slate pool table installer with the assembly process of this specific cabinet. It does not guide on setting the slate or attaching the billiard cloth for which the process is the same regardless of the cabinet type.
- 2) The pool table cabinet and slate are extremely heavy. Two or more people are required for assembly.
- 3) The table must be assembled in the final location where the table will be played. Attempting to move the table once assembled could result in damage to the table or serious injury.
- 5) Only use the table for its intended purpose.
- 6) Damaged or worn parts may be dangerous for users and the integrity of the table. Replace worn or damaged components immediately and do not use the table until any issues have been resolved. For best results, use only spare parts supplied by Playcraft.
- 7) Unauthorized repairs or altering the table's design or functions may be dangerous and will void the warranty.
- 8) Check all screws, bolts, etc. on a regular basis to ensure that they are in good working condition and have not loosened over time.
- 9) Over time, pool tables may require releveling. This is considered normal maintenance as required with owning a slate pool table





PART LIST

NO.	IMAGE	DESCRIPTION	SPECIFICATION	QTY	UNIT
H1		BOTTOM SUPPORT BEAM	1736*120*80	1	PCS
		ASSEMBLY POSITION	FRAME		
H2		HARDWARE	180*85*85	2	PCS
		ASSEMBLY POSITION	FRAME		
H3		HARDWARE	170*100*120	2	PCS
		ASSEMBLY POSITION	FRAME		
H4		LEG	1100*190*660	2	PCS
		ASSEMBLY POSITION	FRAME		
H5		CENTRE SUPPORT BEAM	570*80*80	2	PCS
		ASSEMBLY POSITION	FRAME		
H6		TOP SUPPORT BEAM	1766*100*50	1	PCS
		ASSEMBLY POSITION	FRAME		
H7		SHORT BEAM	1173*180*40	2	PCS
		ASSEMBLY POSITION	GRADE A BEAM		
H8		LONG BEAM	1936*180*40	2	PCS
		ASSEMBLY POSITION	GRADE A BEAM		
H9		MIDDLE BEAM	893*120*40	2	PCS
		ASSEMBLY POSITION	GRADE A BEAM		
H10		SIDE SLATE1	805*1295*40	1	
		ASSEMBLY POSITION	TOP RAIL		
H11		MIDDLE SLATE	805*1295*40	1	PCS
		ASSEMBLY POSITION	TOP RAIL		
H12		SIDE SLATE 2	805*1295*40	1	
		ASSEMBLY POSITION	TOP RAIL		
H13		CLOTH		1	
		ASSEMBLY POSITION	TOP RAIL		
H14		1, 4# TOP RAIL	1083*164*43	2	PCS
		ASSEMBLY POSITION	TOP RAIL		
H15		2,5# TOP RAIL	1111*164*43	2	PCS
		ASSEMBLY POSITION	TOP RAIL		
H16		3,6# TOP RAIL	1101*164*43	2	PCS
		ASSEMBLY POSITION	TOP RAIL		
H17		CORNER	190*190*43	4	PCS
		ASSEMBLY POSITION	TOP RAIL		
H18		SHORT APRON	1377*140*50	2	PCS
		ASSEMBLY POSITION	TOP RAIL		
H19		HARDWARE	135*70*70	4	PCS
		ASSEMBLY POSITION	TOP RAIL		
H20		LONG APRON	2496*140*50	2	PCS
		ASSEMBLY POSITION	TOP RAIL		

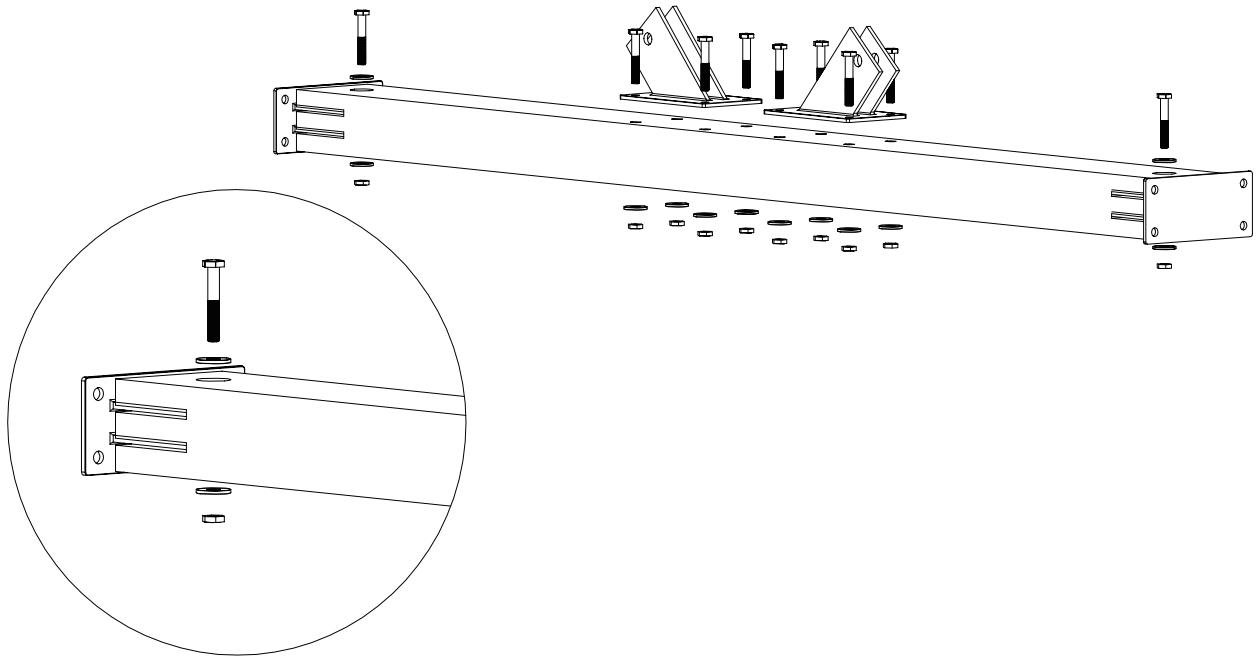
HARDWARE LIST

NO.	IMAGE	DESCRIPTION	SPECIFICATION	QTY	UNIT
A		HEXAGON BOLT	ø10*80	4	PCS
		2PCS FOR BOTTOM SUPPORT BEAM AND HARDWARE, 2PCS FOR CENTRE SUPPORT BEAM AND HARDWARE			ASSEMBLY POSITION
B		FLAT WASHER	M10*30*2	32	PCS
		16PCS FOR APRON, 12PCS FOR BOTTOM SUPPORT BEAM , 4PCS FOR CENTRE SUPPORT BEAM			ASSEMBLY POSITION
C		BOLT NUT	M10	28	PCS
		16PCS FOR APRON, 10PCS FOR BOTTOM SUPPORT BEAM , 2PCS FORCENTRE BEAM			ASSEMBLY POSITION
D		HEXAGON BOLT	ø10*100	8	PCS
		FOR BOTTOM SUPPORT BEAM AND CENTRE SUPPORT BEAM			ASSEMBLY POSITION
E		HEXAGON BOLT	ø10*25	24	PCS
		16 PCS FOR APRON AND HARDWARE, 8PCS FOR LEG AND HARDWARE			ASSEMBLY POSITION
F		HEXAGON BOLT	ø10*60	20	PCS
		18PCS FOR TOR RAIL AND SLATE,2 PCS FOR TOP RAIL AND TOP SUPPORT BEAM			ASSEMBLY POSITION
G		FLAT WASHER	M10*30*2	10	PCS
		2PCS FOR TOP SUPPORT BEAM AND CENTRE SUPPORT BEAM,8PCS FOR TABLE FRAME AND LEG			ASSEMBLY POSITION
H		SCREW	4.2*50	12	PCS
		4PCS FOR TOP SUPPORT BEAMN AND CENTRE SUPPORT BEAM,8PCS FOR TABLE FRAME AND LEG			PCS
I		HEXAGON BOLT	ø12*180	4	PCS
		USED TO FIX THE CROSS BEAM			ASSEMBLY POSITION

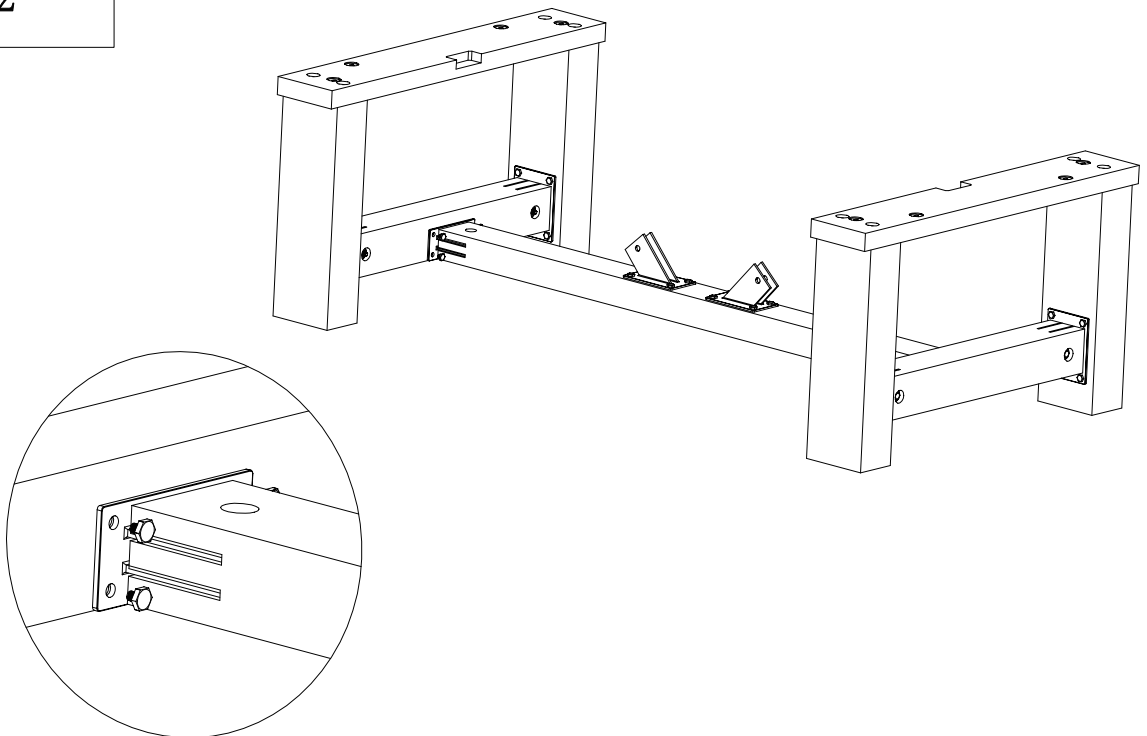
J		FLAT WASHER	M12*30*2	4	PCS
		USED TO FIX THE CROSS BEAM			
K		ACRON NUT	M12	4	PCS
		USED TO FIX THE CROSS BEAM			
L		HEXAGON BOLT	ø10*70	8	PCS
		USED TO FIX THE GRADE A BEAM AND LEGS			
M		SLATE LEVELLER	ø10*100	12	PCS
N			ø10*50	4	PCS
		USED TO ADJUST AND LEVEL THE SLATE			ASSEMBLY POSITION
O		FLAT HEAD SCREW	6*60	12	PCS
		USED TO FIX THE SLATE AND FRAME			
P		WOODEN PLUG	ø10*50	2	PCS
		USED TO CONNECT #2 AND #5 TOP RAIL ,#3 AND #6 TOP RAIL			
Q		BARREL NUT	ø8*30	8	PCS
		USED TO FIX THE TOP RAIL AND CORNER			
R		HEMICIRCLE WASHER	M8	8	PCS
		USED TO FIX THE TOP RAIL AND CORNER			
S		FLAT WASHER	M8	20	PCS
		USED TO FIX THE TOP RAIL AND CORNER			
T		HEXAGON BOLT	ø8*80	8	PCS
		USED TO FIX THE TOP RAIL AND CORNER			
U		HEXAGON BOLT	ø8*35	12	PCS
		USED TO FIX THE TOP RAIL AND APRON			

V		DOME WASHER	M10*30*5	18	PCS
		USED TO FIX THE TOP RAIL AND SLATE			
W		SIDE POCKET		4	PCS
					ASSEMBLY POSITION
X		MIDDLE POCKET		2	PCS
					ASSEMBLY POSITION
Y		SCREW	4.2*16	12	PCS
		USED TO FIX THE LEATHER POCKET			ASSEMBLY POSITION

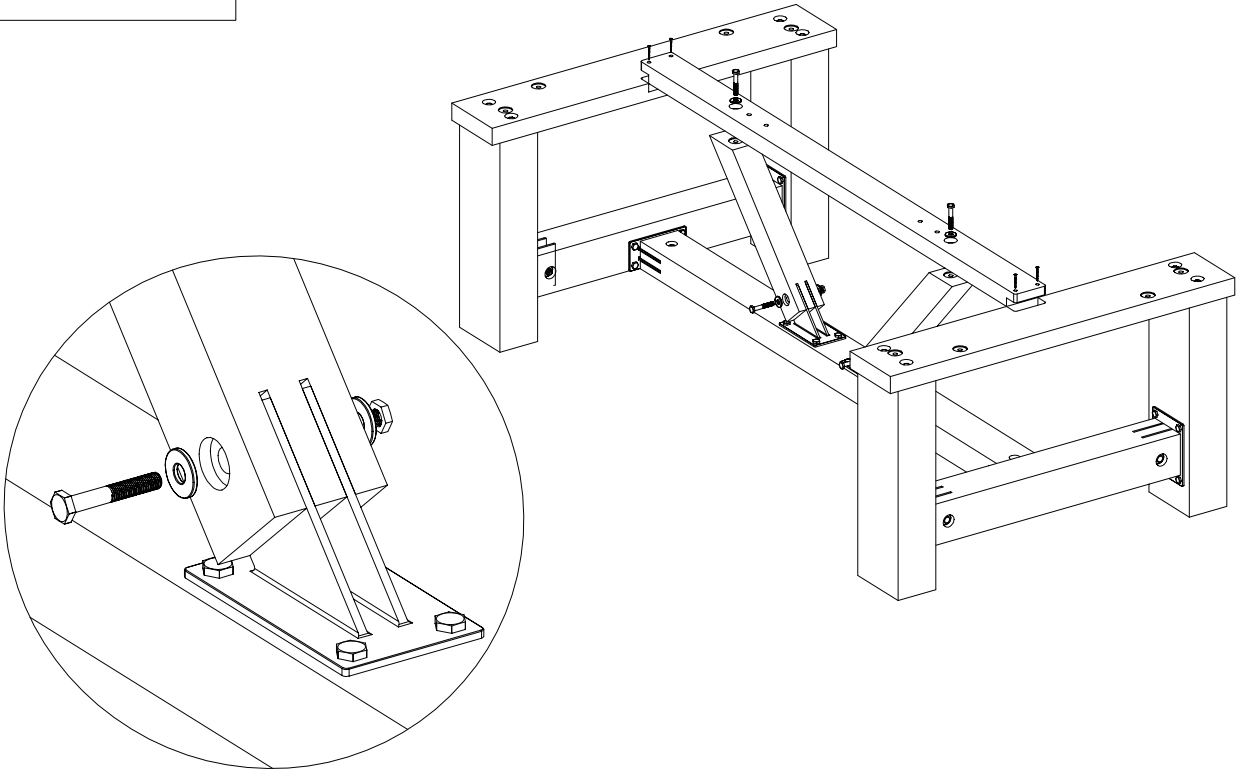
Step 1



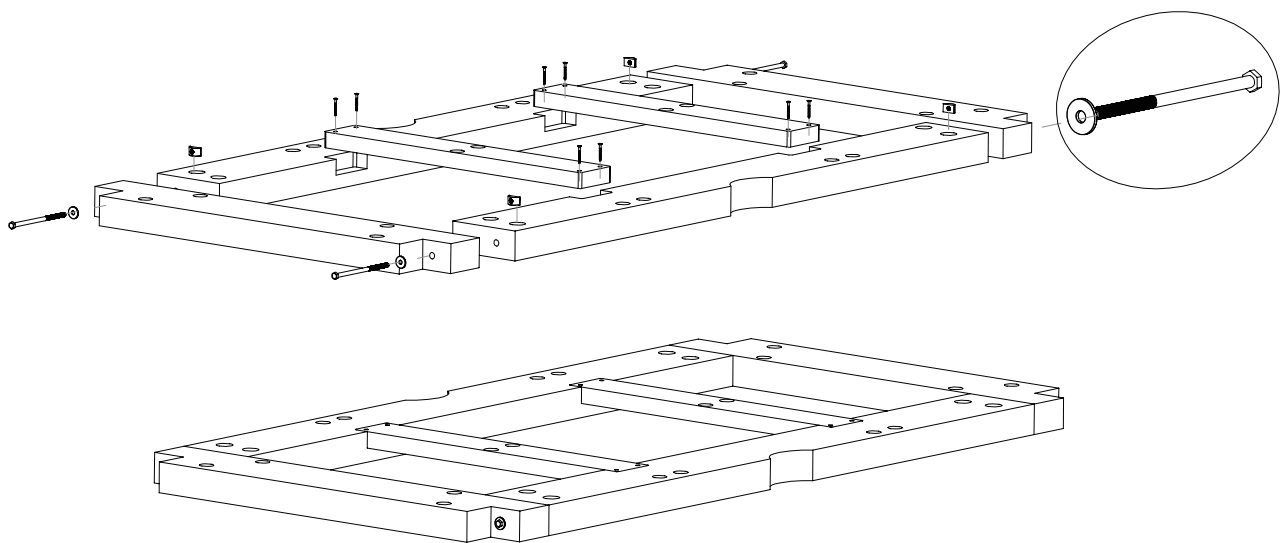
Step 2



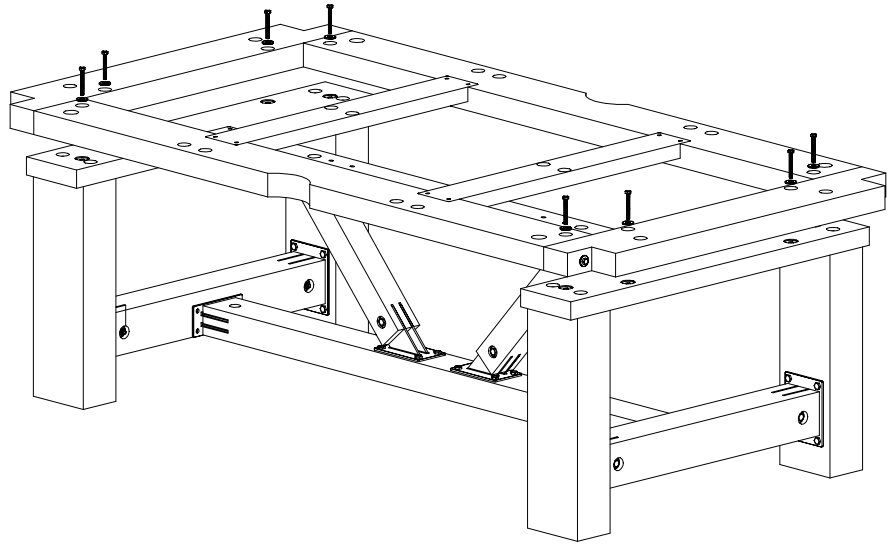
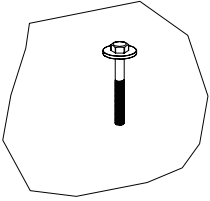
Step 3



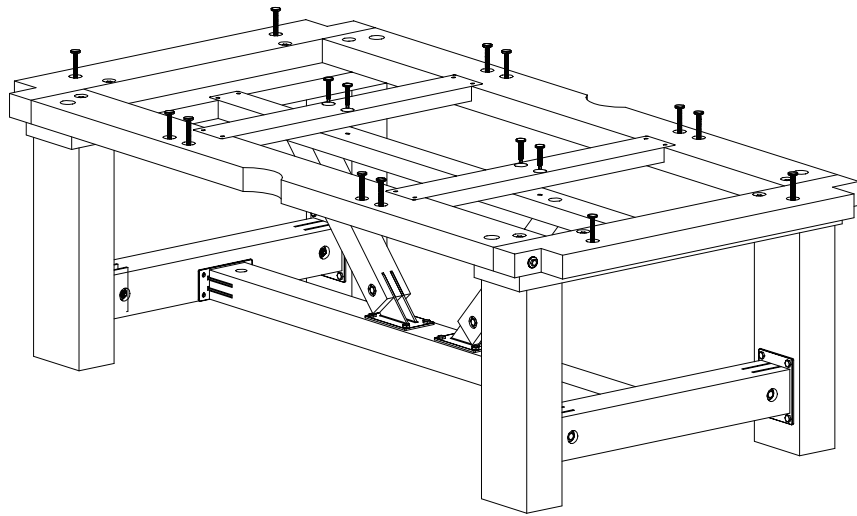
Step 4



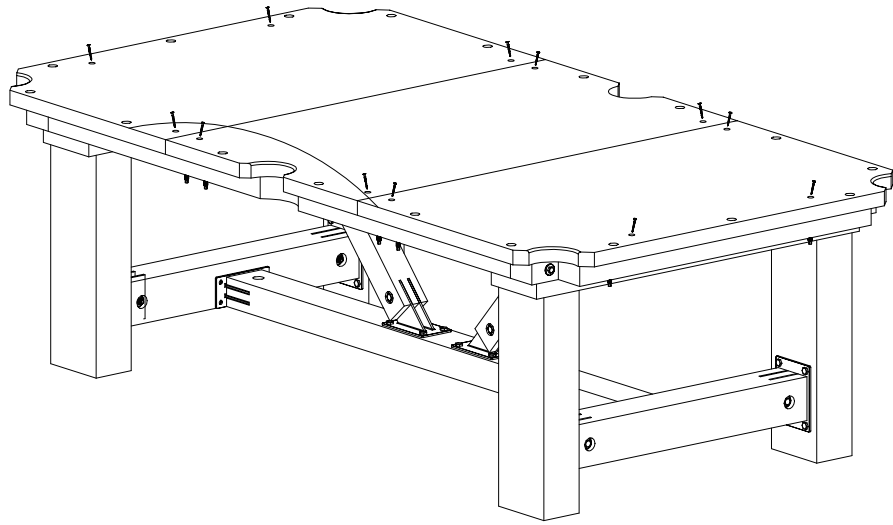
Step 5



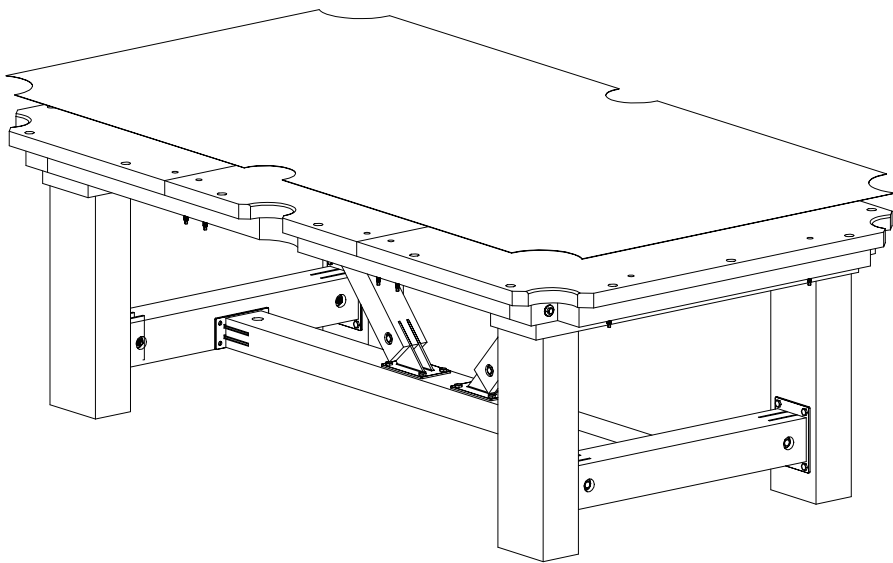
Step 6



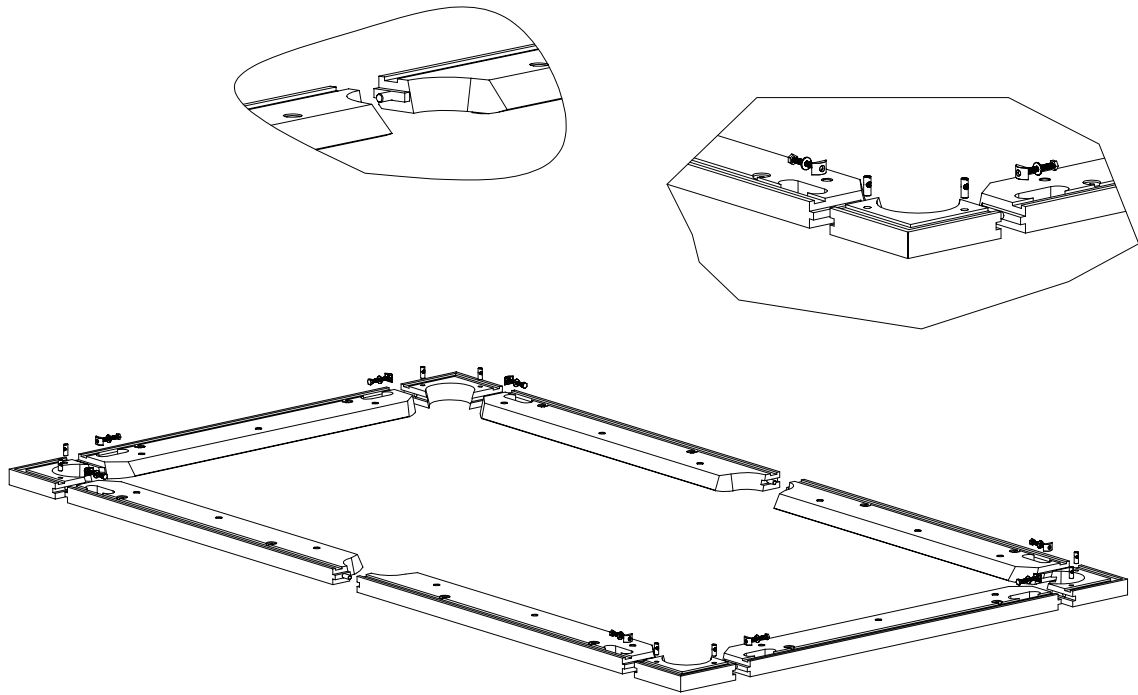
Step 7



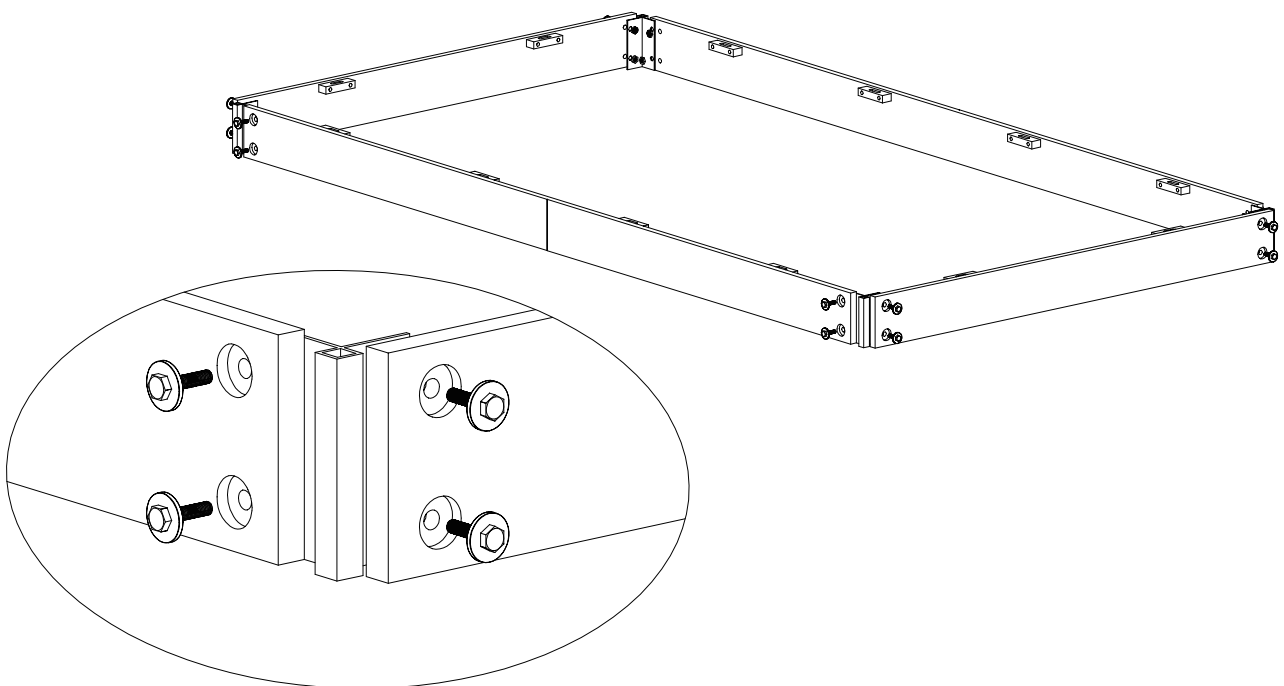
Step 8



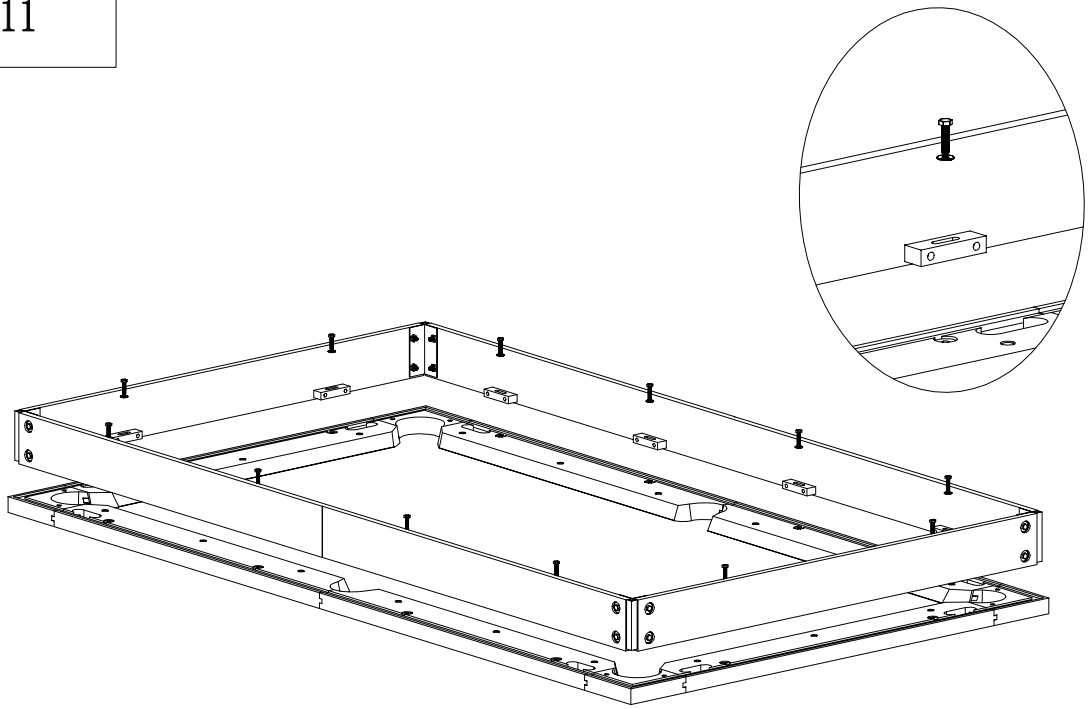
Step 9



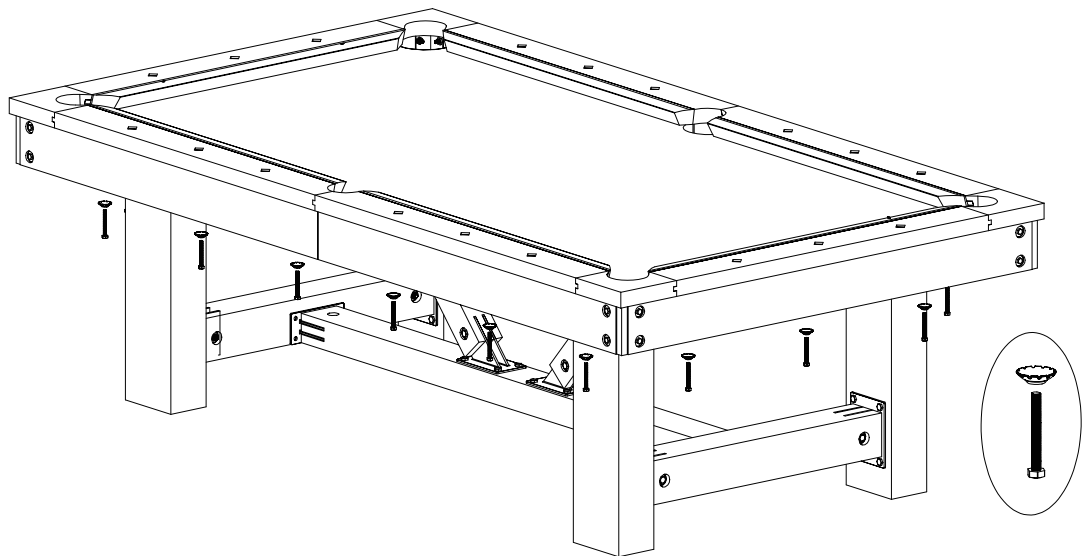
Step 10



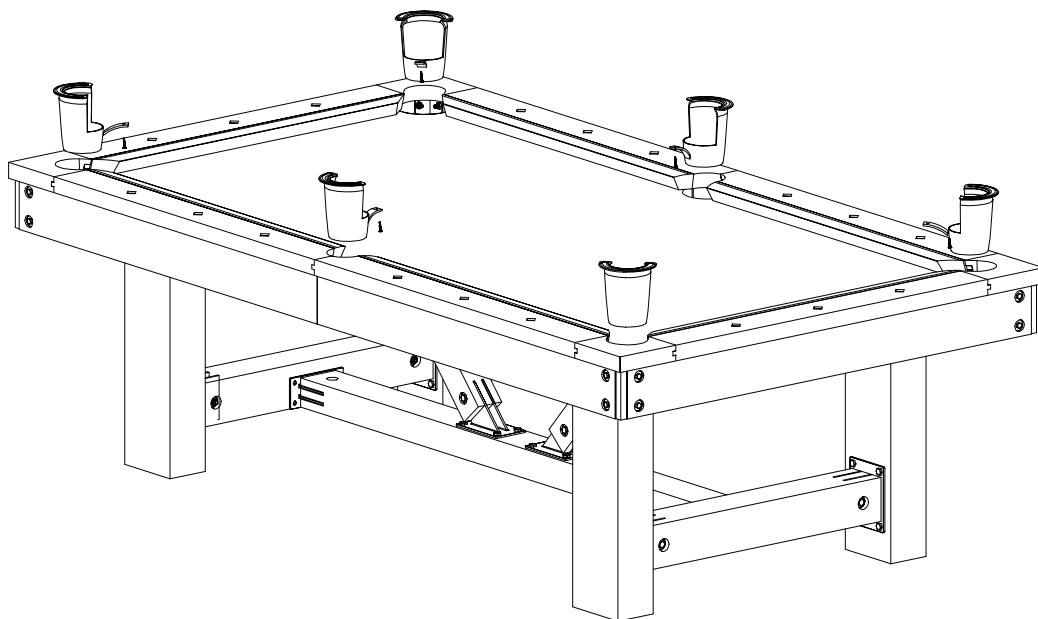
Step 11



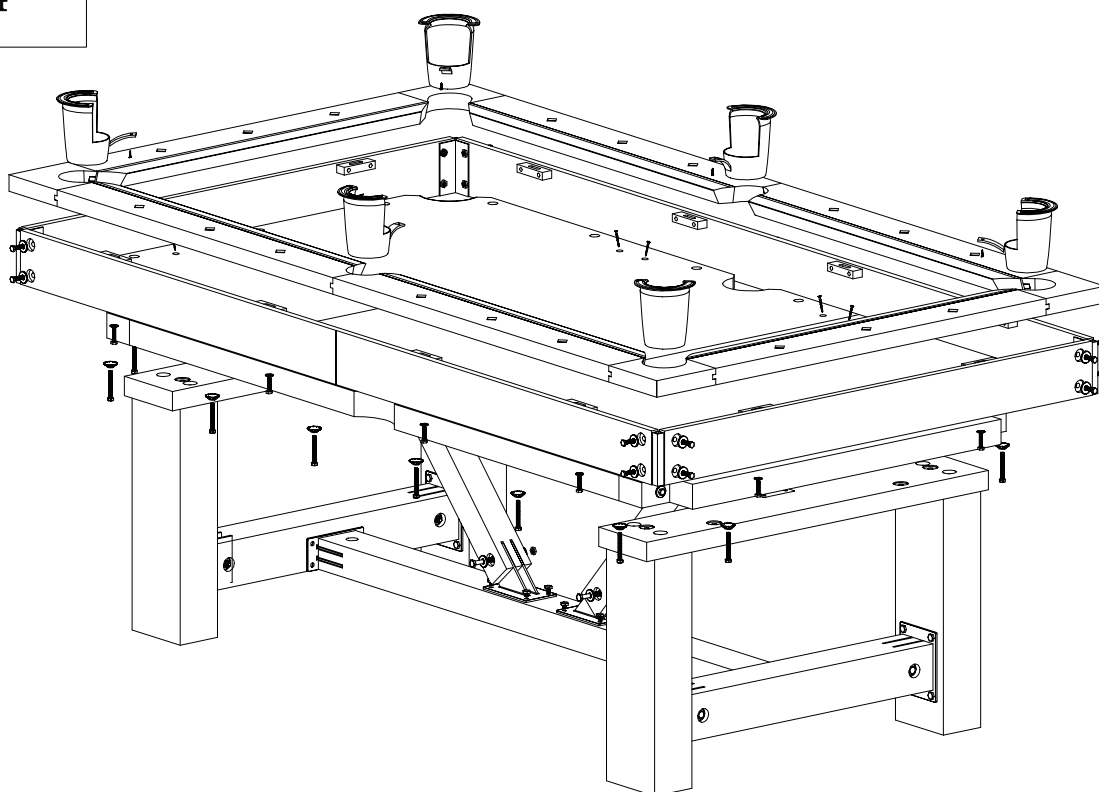
Step 12



Step 13



Step 14





Customer Service

For questions on assembly or for missing or damaged parts, please contact us via email at support@playcraft.com. Please visit our website at www.playcraft.com to see more industry leading Playcraft and Playcraft Sport game tables.

Thank you for choosing Playcraft!

Global Merchants, Inc.
12 Lunar Drive
Woodbridge, CT 06525