



# Oktoberfest Assembly Manual

## “Assemblies On Tap”

## DOCUMENT REVISION HISTORY

100-1002-A	April 2019	Initial Release of Document
	July 2019	Final Release of Document

All information in this manual is accurate at time of release and is subject to change without notice.  
Check <https://www.american-pinball.com/support/> for any and all updates to this manual.

Complied by BTA

ASSEMBLY	PAGE	ASSEMBLY	PAGE
INDEX	2	SINGLE OPTO	33
FLIPPER LEFT	3	WIRE GATE	34
FLIPPER LOWER RIGHT	4	BUMPER RING	35
FLIPPER UPPER RIGHT	5	48 VOLT FILTER BOARD	36
POP BUMPER	6	BAR SWITCH	37
SLING SHOT	7	CABINET	38
BALL TROUGH	8	BACK BOX	39
FIXED MAGNET	9		
ADJUSTABLE MAGNET	10		
SCOOP – SUPER VUK	11		
AUTO LAUNCH	12		
VUK	13		
CABINET POWER BOX	14		
CABINET PCB	15		
COIL DRIVER	16		
CBALL SHOOTER	17		
DROP TARGET	18		
BAR TENDER	19		
RAMP	20		
SPINNER	21		
SUBWAY	22		
COASTER LOCK	23		
BEER BARREL LOCK	24		
UP RAMP COIL	25		
RAMP FLOOR	26		
DUAL OPTO	27		
DUAL OPTO NARROW	28		
SWITCH / OPTO BOARD	29		
SINGLE SWITCH BOARD	30		
POWER SUPPLY	31		
PLASTIC RAMP	32		

# Flipper Left ASM0001-00A

REV	DESCRIPTION	REVISIONS	DATE	APPROVED
A	ADDED A DETAIL VIEW CHANGED NOTE ON LOCTITE CHANGED SPRING TO SPR0013-00		1/30/2019	

ITEM NO.	PART NUMBER	DESCRIPTION	QTY.
1	MTL0107-00	LT FLIPPER BRACKET	1
2	SUB0025-00	FLIPPER STOP BRKT ASSY.	1
3	COI0003-00	FL11629 LUGLESS COIL	1
4	MTL0104-00	COIL RETAINING BRKT	1
5	PLS0049-00	FLIPPER BUSHING	1
6	PLS0047-00	COIL TUBING	1
7	MAS0008-05	8-32 X 5/16" PPH MS ZINC	2
8	MAS1004-04	6-32 X 1/4" PPH MS SEMS ZINC	2
9	RBR0011-00	FLIPPER BUMPER PLUG	1
10	MTL0105-00	EOS SWITCH BRKT	1
11	MAS4010-06	10-32 X 3/8" SOCKET HEAD BLACK	2
12	WAS1010-00	#10 SPLIT LOCK WASHER	2
13	MAS0004-04	6-32 X 3/8" PPH MS ZINC	3
14	NUT0004-00	6-32 NYLON LOCKNUT	3
15	ASM0055-01	LT FLIPPER CRANK LINK ASSY	1
16	SW0026-00	EOS SWITCH	1
17	MTL0165-00	EOS SWITCH PLATE	1
18	SMS0005-10	#5 X 5/8" PPH SMS ZINC	2
19	SPR0013-00	COIL RETAINING SPRING - HEAVY	1

NOTE: TO BE MOUNTED USING QTY. 8 OF SMS2008-08

# Flipper Lower Right ASM0002-01A

REVISIONS			
REV.	DESCRIPTION	DATE	APPROVED
A	CHANGED DRAWING TO SPEC 240 CHANGED NOTE ON LOCOTE CHANGED COLOR OF COIL	1/06/2019	

ITEM NO.	PART NUMBER	DESCRIPTION	QTY.
1	MIL0106-00	RT FLIPPER BRACKET	1
2	SUB0025-00	FLIPPER STOP BRKT ASSY.	1
3	COI0009-00	22-900/31-2700 LUGLESS COIL	1
4	MIL0104-00	COIL RETAINING BRKT	1
5	PL50048-00	FLIPPER BUSHING	1
6	PL50047-00	COIL TUBING	1
7	MAS0008-05	8-32 X 5/16" PPH MS ZINC	2
8	MAS1006-04	6-32 X 1/4" PPH MS SEMS ZINC	2
9	RBR0011-00	FLIPPER BUMPER PLUG	1
10	MIL0105-00	ECS SWITCH BRKT	1
11	MAS4010-06	10-32 X 3/8" SOCKET HEAD BLACK	2
12	WAS1010-00	# 10 SPLIT LOCK WASHER	2
13	MAS0005-05	4-32 X 3/8" PPH MS ZINC	3
14	NUT0004-00	6-32 NYLON LOCKNUT	3
15	ASM0055-00	RT FLIPPER CRANK LINK ASSY	1
16	SW0026-00	ECS SWITCH	1
17	SMS0005-10	#5 X 5/8" PPH SMS ZINC	2
18	MIL0165-00	ECS SWITCH PLATE	1
19	SPR0015-00	COIL RETAINING SPRING - HEAVY	1

NOTE : TO BE MOUNTED USING QTY. 8 OF SMS2008-08

(UNLESS OTHERWISE SPECIFIED) ALL DIMENSIONS ARE IN INCHES DIMENSIONS IN PARENTHESIS ARE METRIC EQUIVALENTS FINISH: 1.000 MATERIAL: SEE DRAWING P. 1/11 DATE: 01/06/2019 DRAWN BY: JMM CHECKED BY: JMM SCALE: 1:1	<b>AMERICAN PINBALL</b> 1485 Yorkville Dr. Bensenville, IL 60015 (630) 469-1000 WWW.AMERICANPINBALL.COM	DRAWING NO. <b>FLIPPER ASSEMBLY - RIGHT - 22-900/31-2700</b> DWG. NO. <b>ASM0002-01</b> REV <b>A</b>
---	--	---

PROPERTY AND CONFIDENTIAL INFORMATION CONTAINED HEREIN IS THE SOLE PROPERTY OF AMERICAN PINBALL. ANY REPRODUCTION IN PART OR AS A WHOLE WITHOUT THE WRITTEN PERMISSION OF AMERICAN PINBALL IS PROHIBITED.

# Flipper Upper Right ASM0002-02A

REVISIONS			
REV.	DESCRIPTION	DATE	APPROVED
A	CHANGED SPRING FROM SPR008-00 TO SPR0013-00 NOTE ON LOCTITE UPDATED	1/06/2019	

ITEM NO.	PART NUMBER	DESCRIPTION	QTY.
1	MTL0104-03	RT FLIPPER BRKT - LWR LT LEG CUT	1
2	SUB0025-00	FLIPPER STOP BRKT ASSY.	1
3	C.OI0003-00	FL11629 LUGLESS COIL	1
4	MTL0104-00	COIL RETAINING BRKT	1
5	PLS0048-00	FLIPPER BUSHING	1
6	PLS0047-00	COIL TUBING	1
7	MAS0008-05	8-32 X 5/16" PPH MS ZINC	2
8	MAS1006-04	6-32 X 1/4" PPH MS SEMS ZINC	2
9	RBR0011-00	FLIPPER BUMPER PLUG	1
10	MTL0105-00	EOS SWITCH BRKT	1
11	MAS4010-06	10-32 X 3/8" SOCKET HEAD BLACK	2
12	WAS1010-00	# 10 SPLIT LOCK WASHER	2
13	MAS0006-06	6-32 X 3/8" PPH MS ZINC	3
14	NLT0006-00	6-32 NYLON LOCKNUT	3
15	ASM0055-00	RT FLIPPER CRANK LINK ASSY	1
16	SPR0013-00	COIL RETAINING SPRING - HEAVY	1

NOTE : TO BE MOUNTED USING QTY. 6 OF SMS208-08

AMERICAN PINBALL

1448 Yorkville Dr. Steamwood, IL 61077

10000 N. HARVEY AVE. CHICAGO, IL 60642

PHONE: (708) 455-1100 FAX: (708) 455-1101

WWW.AMERICANPINBALL.COM

DESCRIPTION: FLIPPER ASSEMBLY - RIGHT (LWR LT LEG CUT)

SIZE: DWG. NO. ASM0002-02

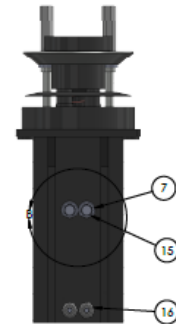
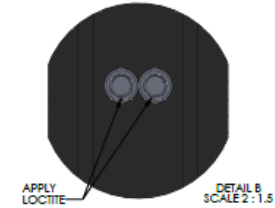
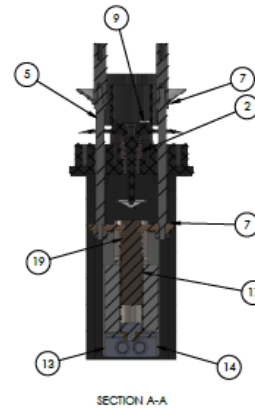
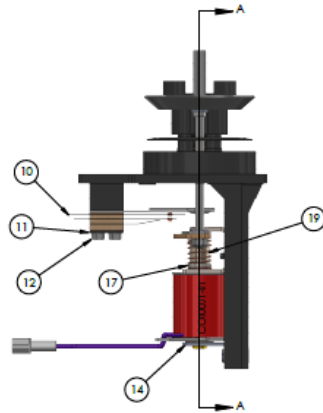
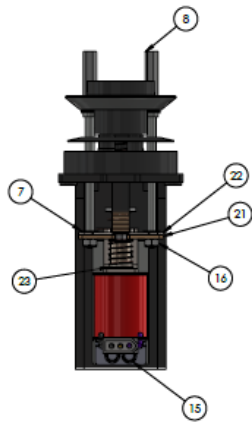
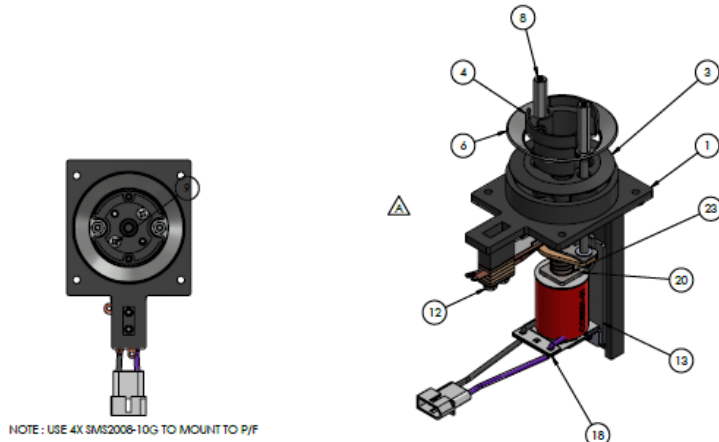
REV: A

DATE: 1/06/2019 SCALE: 1:1 SHEET 1 OF 1

# Pop Bumper ASM0003-00A

REVISIONS			
REV.	DESCRIPTION	DATE	APPROVED
A	ASSEMBLY REDESIGN ADDED MFG000-00 SWITCH PLATE	03/01/2019	

ITEM NO.	PART NUMBER	DESCRIPTION	QTY.
1	PLS0021-00	BUMPER HOUSING	1
2	SPR0004-00	BUMPER SKIRT SPRING	1
3	PLS0033-00	BUMPER SKIRT - BLACK	1
4	PLS0032-00	BUMPER BODY - BLACK	1
5	MCH0013-00	BUMPER ROD	2
6	MCH0012-00	BUMPER RING	1
7	WAS0006-00	#6 FLAT WASHER	8
8	HEX0405-20	1/4" HEX SPACER X 1-1/4" 6-32 FEMALE TAPPED ENDS	2
9	SMS0006-14	#6 X 7/8" PPH SMS ZINC	2
10	SW00019-00	BUMPER SWITCH	1
11	MTL0087-00	SWITCH PLATE	1
12	MAS2005-16	6-32 X 1" HWH SEPARATED FLANGE SCREW	2
13	MTL0084-00	BUMPER SPACING PLATE	1
14	SUB0024-00	COIL STOP BRACKET ASSEMBLY	1
15	MAS2006-06	6-32 X 1/2" HWH MS ZINC	4
16	NUT0006-00	6-32 LOCKNUT	4
17	PLS0035-00	COIL SLEEVE 1-3/4" X 1/2" NO FLANGE	1
18	COI0001-01	23-800 LUGLESS COIL	1
19	PGR0008-00	BUMPER PLUNGER	1
20	MTL0083-00	BUMPER YOKE STOP BRKT	1
21	MSC0022-00	BUMPER YOKE FIBER	1
22	MTL0084-00	BUMPER YOKE METAL	1
23	SPR0005-00	BALL TROUGH SPRING	1

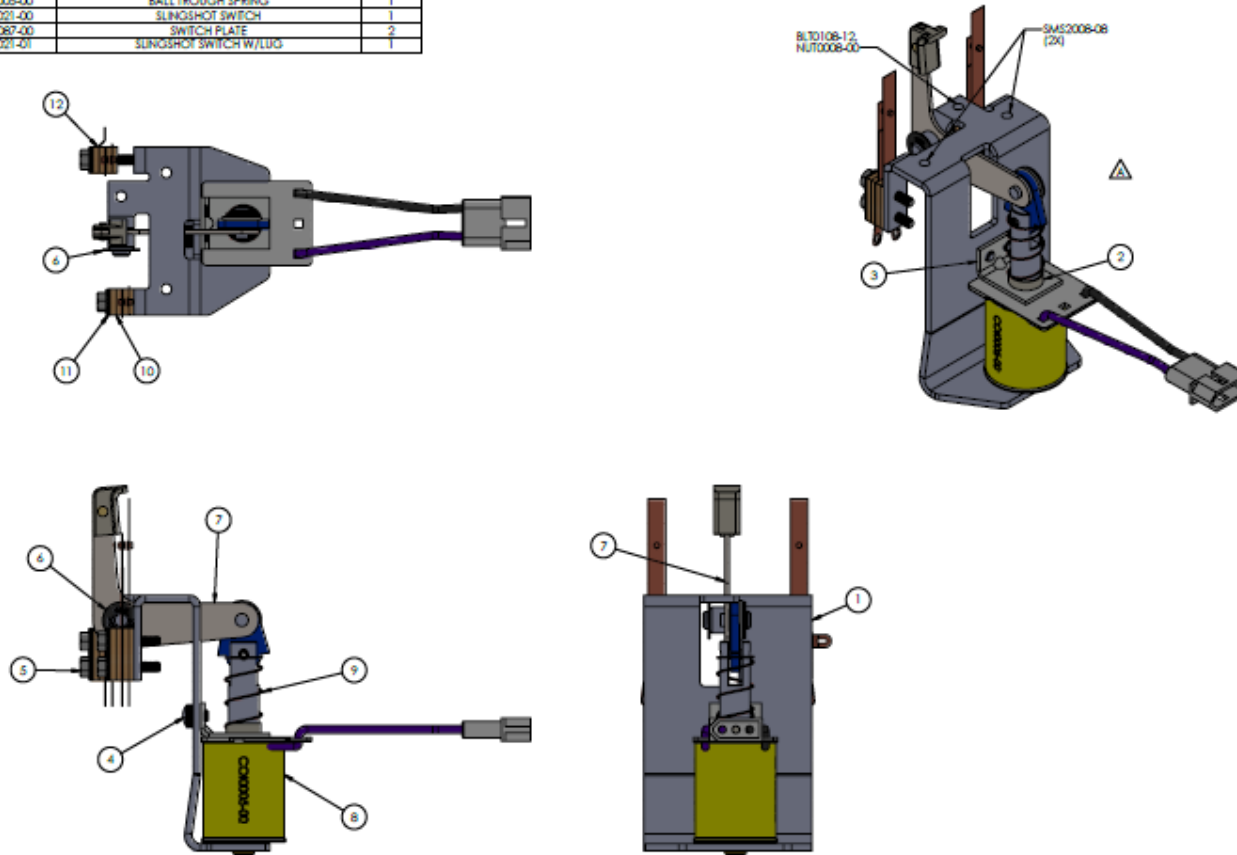


	(UNLESS OTHERWISE SPECIFIED) DIMENSIONS ARE IN INCHES DIMENSIONS IN PARENTHESIS ARE METRIC EQUIVALENTS FINISH: MILL TOLERANCES: FRACTIONS DECIMALS ANGLES FRACTIONS .0005 .001 .005 .01 .05 .1 .5 1 1.5 DECIMALS .0005 .001 .005 .01 .05 .1 .5 1 1.5 ANGLES .0005 .001 .005 .01 .05 .1 .5 1 1.5	AMERICAN PINBALL 1448 Yorkville Dr. Bensenville, IL 60015 TEL: 630-409-1000 FAX: 630-409-1001 WWW.AMERICANPINBALL.COM	DESCRIPTION: BOTTOM POP BUMPER ASSEMBLY - 23-800 SIZE: C DWG. NO.: ASM0003-00 DATE: 03/01/2019 SCALE: 1:1.5 SHEET 1 OF 1
	DRAWN BY: SM CHECKED BY: SM DATE: 03/01/2019	REV: A	1448 Yorkville Dr. Bensenville, IL 60015 TEL: 630-409-1000 FAX: 630-409-1001 WWW.AMERICANPINBALL.COM

# Slingshot ASM0004-01A

ITEM NO.	PART NUMBER	DESCRIPTION	QTY
1	SUB0011-00	SLINGSHOT BRACKET ASSEMBLY	1
2	PL30035-00	COIL SLEEVE 1-3/4" X 1/2" NO FLANGE	1
3	MT10082-00	8-32 TAPPED STANDARD COIL MOUNTING BRACKET	1
4	MAS1008204	8-32 X 1/4" PPH MS SEMI ZINC	2
5	MAS2006-12	6-32 X 3/4" HWH SERRATED FLANGE SCREW	4
6	SPC0003-04	1/4" SHAFT RETAINING RING E-STYLE	1
7	ASM0072-00	SLINGSHOT BELLCRANK & PLINGER ASSEMBLY	1
8	CC00005-00	26-1200 LUGLESS COIL	1
9	SPR0005-00	BALL TROUGH SPRING	1
10	SW10021-00	SLINGSHOT SWITCH	1
11	MT10087-00	SWITCH PLATE	2
12	SW10021-20	SLINGSHOT SWITCH W/LUGS	1

REVISE			
REV.	DESCRIPTION	DATE	APPROVED
A	SMAS0068 CHANGED TO QTY. 2 ADDED LOCATION FOR B/LT0108-12 AND NUT0006-00 REMOVED NOTE ON LOCITE	1/26/2019	

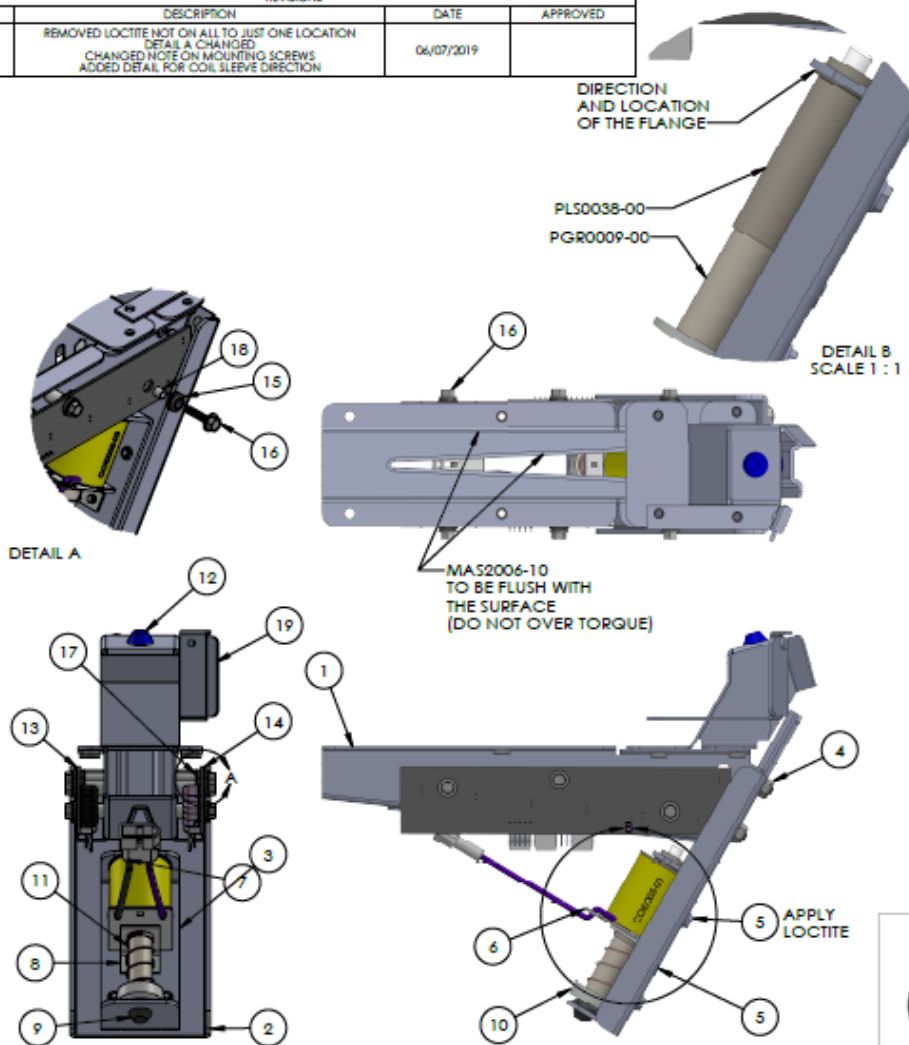


ALL BELT COMPONENTS SPECIFIED ARE SHOWN IN THIS DRAWING & THE MANUFACTURER'S PART NUMBER IS INDICATED IN PARENT PARENS. UNLESS OTHERWISE SPECIFIED, DIMENSIONS ARE IN INCHES. DECIMALS ARE TO TWO (0.001) TOLERANCE. UNLESS OTHERWISE SPECIFIED, FINISH IS: ALL SURFACES: 32 R.M.S. ALL DIMENSIONS ARE TO CENTER UNLESS OTHERWISE SPECIFIED. DIMENSIONS TO SURFACE UNLESS OTHERWISE SPECIFIED. DIMENSIONS TO CENTER UNLESS OTHERWISE SPECIFIED.	<b>AMERICAN PINBALL</b> 1408 Tuxedo Dr., Stowamond, IL 62207 (618) 337-1111 WWW.AMERICANPINBALL.COM © 2019 AMERICAN PINBALL ALL RIGHTS RESERVED.	DESCRIPTION: SLINGSHOT ASSEMBLY - 26-1200 SEE DRWG. NO. <b>C ASM0004-01</b> SCALE: 1:1 SHEET 1 OF 1	REV <b>A</b>
---	---	--	-----------------



# Ball Trough ASM0005-01A

REVISIONS			
REV.	DESCRIPTION	DATE	APPROVED
A	REMOVED LOCTITE NOT ON ALL TO JUST ONE LOCATION DETAIL A CHANGED CHANGED NOTE ON MOUNTING SCREWS ADDED DETAIL FOR COIL SLEEVE DIRECTION	06/07/2019	



ITEM NO.	PART NUMBER	DESCRIPTION	QTY.
1	MTL0089-00	BALL TROUGH WELDED ASSEMBLY	1
2	MTL0090-00	BALL TROUGH FRONT BRACKET	1
3	MTL0091-00	COIL MOUNTING BRACKET	1
4	NUT0008-00	8-32 NYLON LOCKNUT - LOW PROFILE	4
5	MAS2008-04	8-32 X 1/4" HWH MS ZINC	6
6	COI0005-00	26-1200 LUGLESS COIL	1
7	PLS0038-00	COIL SLEEVE 1-7/8" X 3/16" FLANGE	1
8	MTL0082-00	8-32 TAPPED STANDARD COIL MOUNTING BRACKET	1
9	RBR0011-00	FLIPPER BUMPER PLUG	1
10	PGR0009-00	BALL TROUGH PLUNGER ASSY	1
11	SPR0005-00	BALL TROUGH SPRING	1
12	RBR0014-00	BALL TROUGH BUMPER PLUG	1
13	PCB0019-00	BALL TROUGH RECIEVER BOARD	1
14	PCB0019-01	BALL TROUGH TRANSMITTER BOARD	1
15	RBR0015-00	PCB RUBBER GROMMET	6
16	MAS2006-10	6-32 X 5/8" HWH MS ZINC	6
17	WAS0006-00	#6 FLAT WASHER	6
18	MCH0016-00	BALL TROUGH BUSHING	6
19	MTL0093-00	BALL STOP BRACKET	1

UNLESS OTHERWISE SPECIFIED:  
 NO SHARP CORNERS AND EDGES.  
 DIMENSIONS ARE IN INCHES  
 ANGULAR TOLERANCES: 5 DEG  
 HOLE ± .010  
 FRACTIONAL ± .005  
 .5" - .4 DIA  
 .25" - .010  
 .100" - .005  
 .005" - .001  
 FINISH: 12.5 RMS

DO NOT SCALE DRAWING

**AMERICAN PINBALL** 1448 Yorkshire Dr. Streamwood, IL 60107  
 MATERIAL: AS PER BOM  
 DESCRIPTION: 6 BALL TROUGH ASSEMBLY-26-1200  
 SIZE DWG. NO. REV  
**B** ASM0005-01 **A**

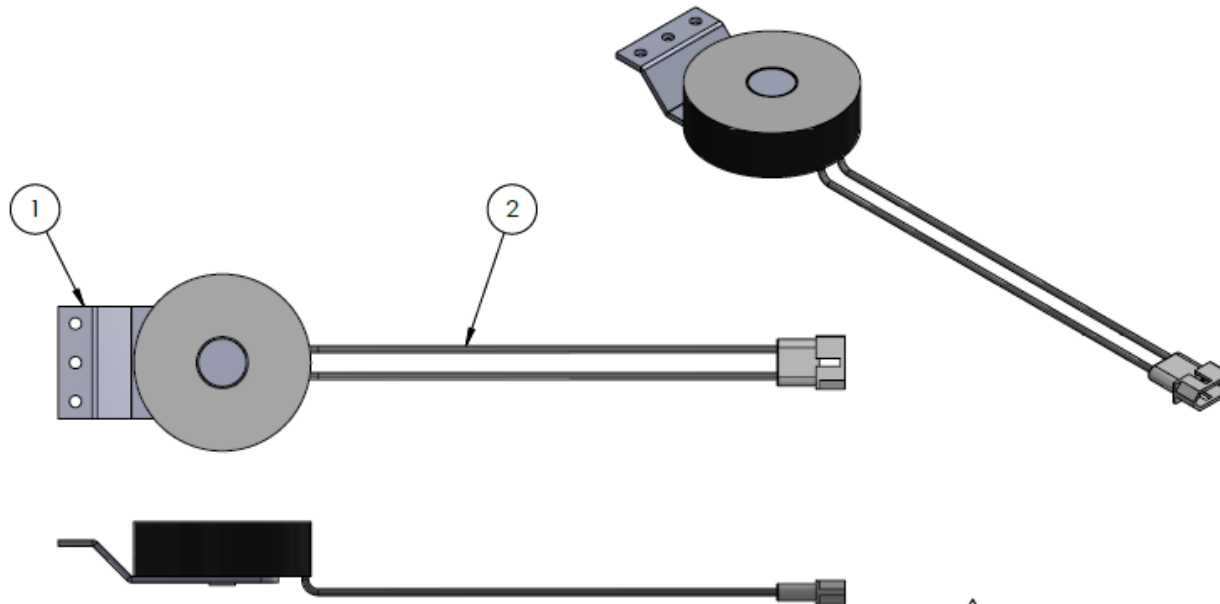
DRAWN BY: REM  
 DRAWN DATE: 6/15/2019 SCALE: 1:2 SHEET 1 OF 1

PROPRIETARY AND CONFIDENTIAL THE INFORMATION CONTAINED IN THIS DRAWING IS THE SOLE PROPERTY OF AMERICAN PINBALL. ANY REPRODUCTION IN PART OR AS A WHOLE WITHOUT THE WRITTEN PERMISSION OF AMERICAN PINBALL IS PROHIBITED.


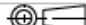
Fixed Magnet ASM0009-00A

ITEM NO.	PART NUMBER	DESCRIPTION	QTY.
1	SUB0004-00	MAGNET CORE BRACKET	1
2	COI0002-00	MAGNET COIL	1

REVISIONS			
REV.	DESCRIPTION	DATE	APPROVED
A	UPDATED MOUNTING NOTE	1/25/2019	



**NOTE : USE 3X SMS2008-08 TO MOUNT TO PLAYFIELD**

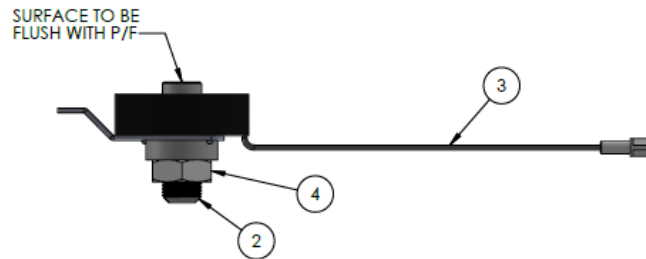
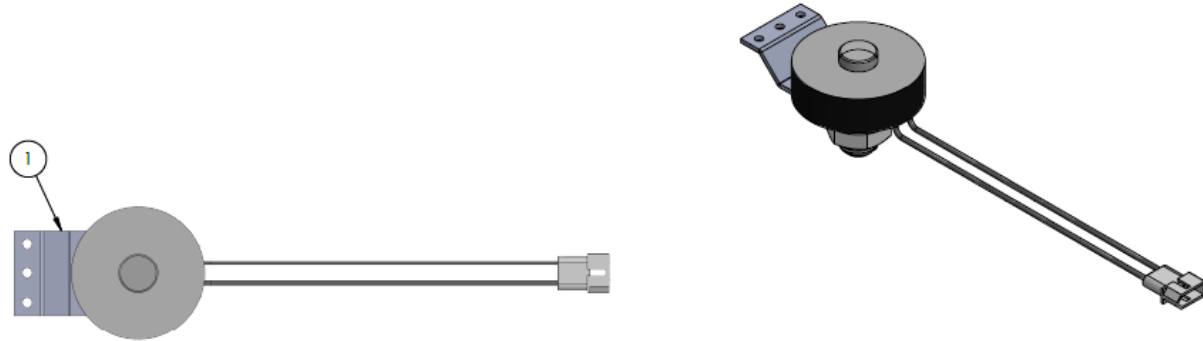
	UNLESS OTHERWISE SPECIFIED: NO SHARP CORNERS AND EDGES. TOLERANCES:(DIM'S ARE IN INCHES) ANGULAR: MACH ± .5 DEG BEND ± 1 DEG FRACTIONAL: ± .020 .X- ±.015 .XX- ±.010 .XXX- ±.005 .XXXX- ±.0001 FINISH 125RMS	<b>AMERICAN PINBALL</b> 1448 Yorkshire Dr. Streamwood, IL 60107 MATERIAL: AS PER BOM	DESCRIPTION: FIXED MAGNET ASSEMBLY	
	DO NOT SCALE DRAWING 	FINISH:	SIZE DWG. NO. <b>A</b> ASM0009-00A	REV <b>A</b>

PROPRIETARY AND CONFIDENTIAL: THE INFORMATION CONTAINED IN THIS DRAWING IS THE SOLE PROPERTY OF AMERICAN PINBALL. ANY REPRODUCTION IN PART OR AS A WHOLE WITHOUT THE WRITTEN PERMISSION OF AMERICAN PINBALL IS PROHIBITED.


# Adjustable Magnet ASM0009-01A

ITEM NO.	PART NUMBER	DESCRIPTION	QTY.
1	SUB0014-00	ADJUSTABLE MAGNET BRACKET	1
2	MCH0034-00	MAGNET CORE	1
3	COI0002-00	MAGNET COIL	1
4	NUT6034-00	3/4-16 JAM NUT	1

REVISIONS			
REV.	DESCRIPTION	DATE	APPROVED
A	ASSEMBLY REDRAWN	1/29/2019	



NOTE :  
TO BE MOUNTED ON P/F USING 3X SMS2008-08

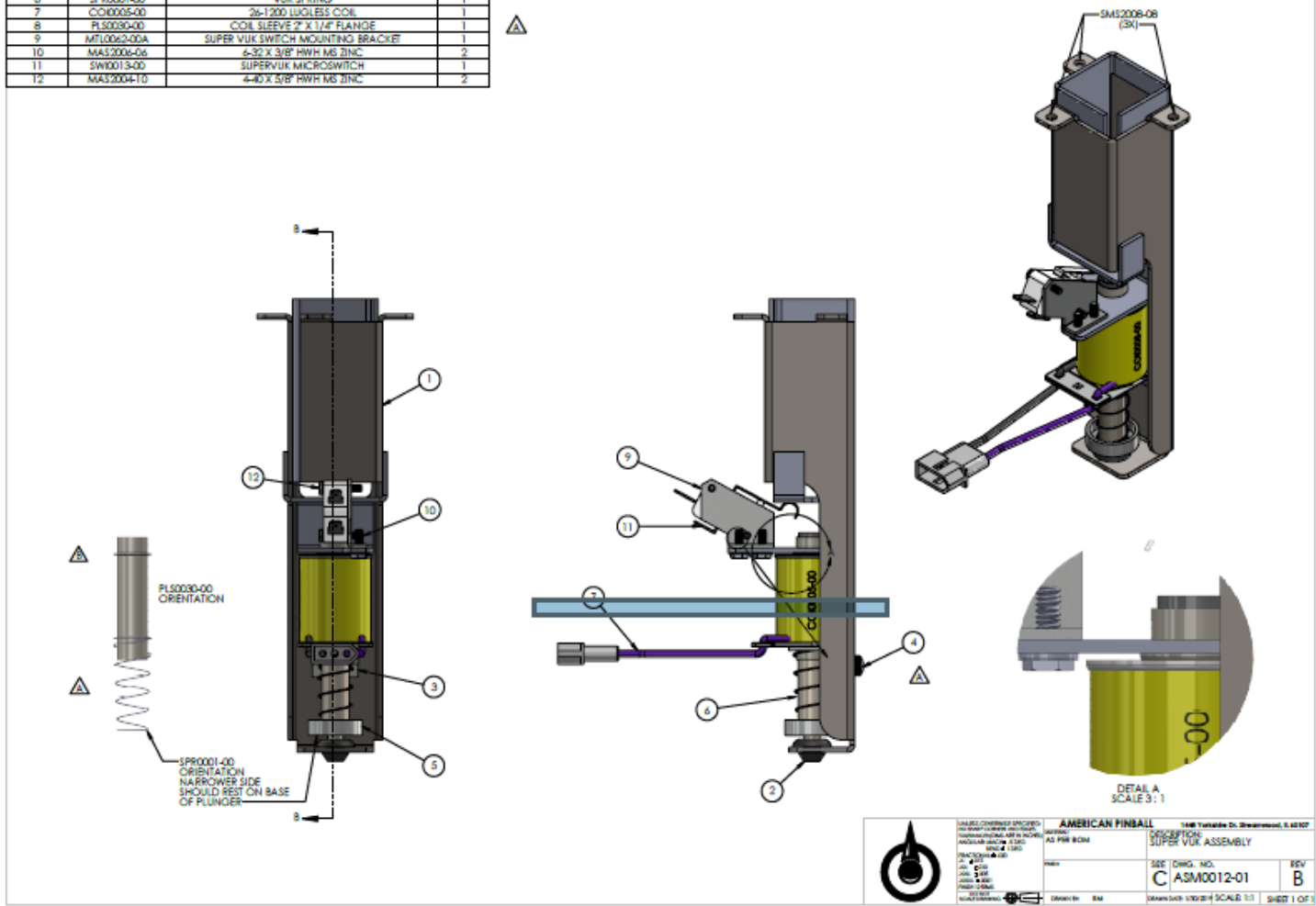
	UNLESS OTHERWISE SPECIFIED: NO SHARP CORNERS AND EDGES TOLERANCES (DIM'S ARE IN INCHES) ANGULAR: MACH ± .5 DEG BEND ± 1 DEG FRACTIONAL: ± .005 1/16 ± .015 1/8 ± .010 3/16 ± .005 1/4 ± .001 FINISH 125RMS	<b>AMERICAN PINBALL</b> MATERIAL: AS PER BOM	1448 Yorkshire Dr. Streamwood, IL 60107 DESCRIPTION: ADJUSTABLE MAGNET ASSEMBLY
	DO NOT SCALE DRAWING	DRAWN BY: RM	SIZE <b>B</b> DWG. NO. <b>ASM0009-01</b>

PROPRIETARY AND CONFIDENTIAL: THE INFORMATION CONTAINED IN THIS DRAWING IS THE SOLE PROPERTY OF AMERICAN PINBALL. ANY REPRODUCTION IN PART OR AS A WHOLE WITHOUT THE WRITTEN PERMISSION OF AMERICAN PINBALL IS PROHIBITED.

Scoop – Super VUK ASM 0012-01B

ITEM NO.	PART NUMBER	DESCRIPTION	QTY.
1	SUR001-00A	SUPER VUK WELDMENT (3T)	1
2	FR0011-00	FLIPPER BUMPER PLUG	1
3	MTL002-00	8-32 TAPPED STANDARD COIL MOUNTING BRACKET	1
4	MAS1008-04	8-32 X 1/4" PPH MS SEM5 ZINC	2
5	PO0004-00	VUK PLUNGER	1
6	SPR001-00	VUK SPRING	1
7	CO0005-00	26-1200 LUGLESS COIL	1
8	PLS0030-00	COIL SLEEVE 2" X 1/4" FLANGE	1
9	MTL002-00A	SUPER VUK SWITCH MOUNTING BRACKET	1
10	MAS2004-06	6-32 X 3/8" RHW MS ZINC	2
11	SW0013-00	SUPER VUK MICROSWITCH	1
12	MAS2004-10	4-40 X 5/8" RHW MS ZINC	2

REVISIONS			
REV.	DESCRIPTION	DATE	APPROVED
A	CHANGED ORIENTATION OF SPRING REMOVED NOTCH FOR APPROX LOCUS CHANGED DESCRIPTION FOR PLS0030-00	1/06/2019	
B	ADDED ORIENTATION FOR COIL SLEEVE (PLS0030-00) DETAIL VIEW CHANGED	4/1/2019	

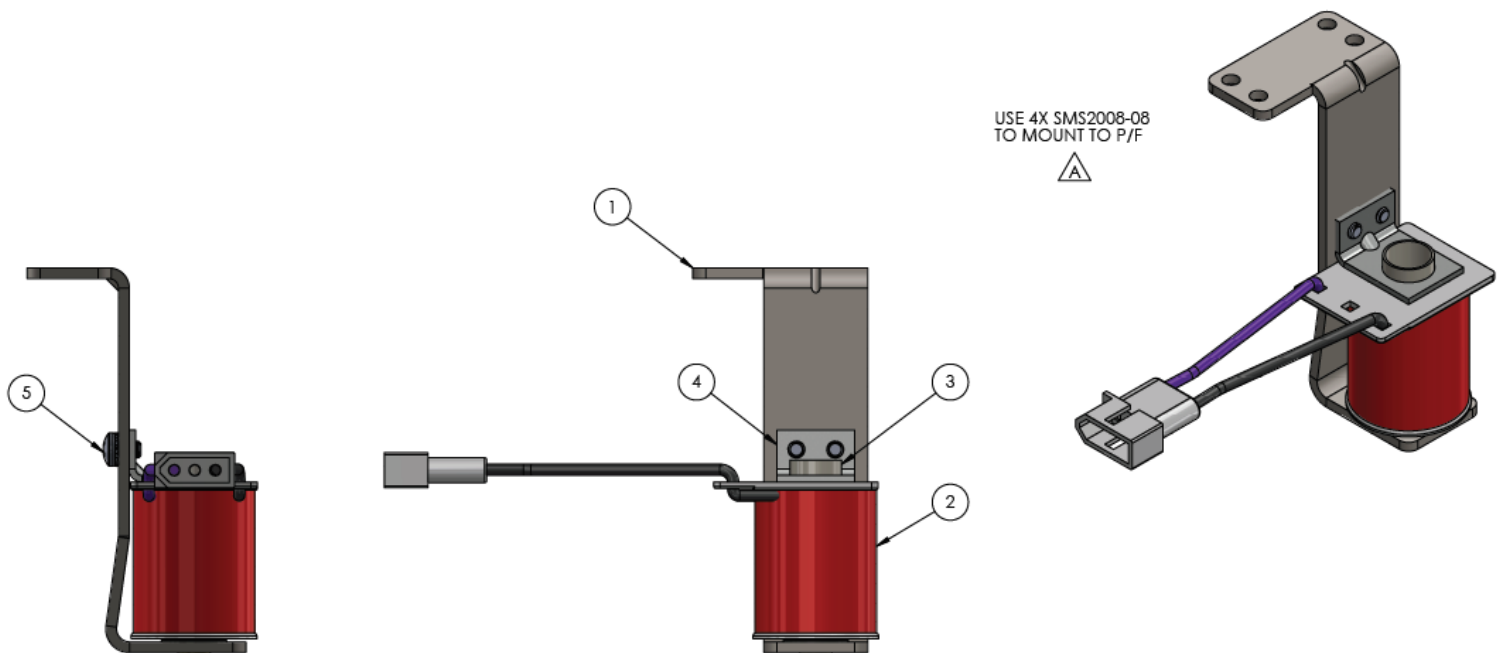


Auto Launch ASM0015-01

ITEM NO.	PART NUMBER	DESCRIPTION	QTY.
1	SUB0008-00	AUTOLAUNCH COIL BRKT. ASSY.	1
2	COI0001-01	23-800 LUGLESS COIL	1
3	PLS0035-00	COIL SLEEVE 1-3/4" X 1/2" NO FLANGE	1
4	MTL0082-00	8-32 TAPPED STANDARD COIL MOUNTING BRACKET	1
5	MAS1008-04	8-32 X 1/4" PPH MS SEMS ZINC	2



REVISIONS			
REV.	DESCRIPTION	DATE	APPROVED
A	ADDED NOTE ON MOUNTING SCREW CHANGED MAS2008-06 TO MAS1008-04	1/28/2019	



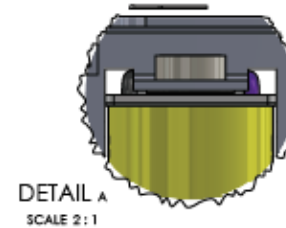
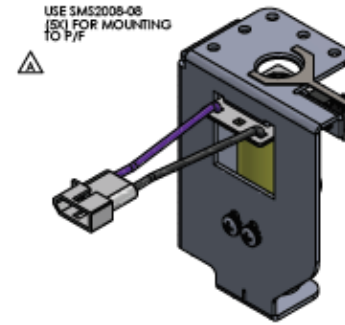
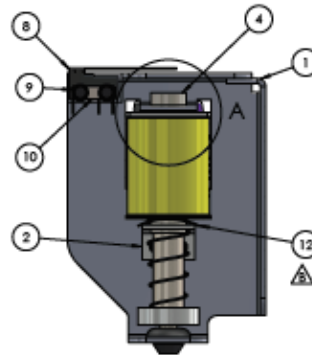
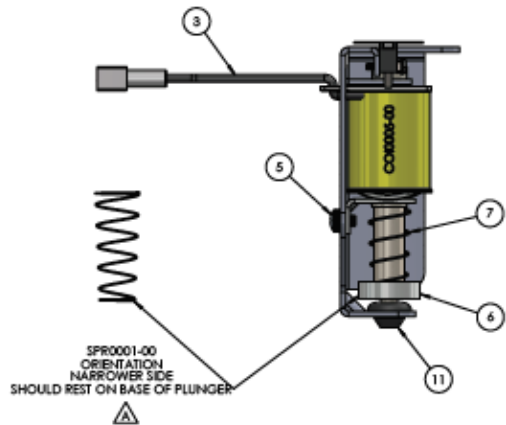
	UNLESS OTHERWISE SPECIFIED: NO SHARP CORNERS AND EDGES. TOLERANCES (DIM IN INCHES) ANGULAR: MACH ± .5 DEG BEND ± 1 DEG FRACTIONAL: ± .005 .X. ± .015 .XX. ± .010 .XXX. ± .005 .XXXX. ± .0001 FINISH 125RMS DO NOT SCALE DRAWING	<b>AMERICAN PINBALL</b> MATERIAL: AS PER BOM	1448 Yorkshire Dr. Streamwood, IL 60107 DESCRIPTION: AUTOLAUNCH COIL BRACKET ASSEMBLY
	FINISH:	SIZE: <b>B</b>	DWG. NO.: ASM0015-00
		DRAWN BY: RM	DRAWN DATE: 1/28/2019 SCALE: 1:1 SHEET 1 OF 1

PROPRIETARY AND CONFIDENTIAL: THE INFORMATION CONTAINED IN THIS DRAWING IS THE SOLE PROPERTY OF AMERICAN PINBALL. ANY REPRODUCTION IN PART OR AS A WHOLE WITHOUT THE WRITTEN PERMISSION OF AMERICAN PINBALL IS PROHIBITED.

VUK ASM0018-01B

ITEM NO.	PART NUMBER	DESCRIPTION	QTY.
1	MTL0088-00	VUK ASSEMBLY - LEFT SIDE MOUNT	1
2	MTL0082-00	8-32 TAPPED STANDARD COIL MOUNTING BRACKET	1
3	COI0005-00	26-1200 LUGLESS COIL	1
4	PLS0030-00	COIL SLEEVE 2" X 1/4" FLANGE	1
5	MAS1008-04	8-32 X 1/4" PPH MS 3EMS ZINC	2
6	PGR0004-00	VUK PLUNGER	1
7	SPR0001-00	VUK SPRING	1
8	SWI0015-00	VUK SWITCH	1
9	TFS2102-08	2-56 X 1/2" HWH TFS 3/16" HEX HEAD - BLACK	2
10	MTL0048-01	SW PROTECTOR PLATE - NO TAP	1
11	RBR0011-00	RUFFER BUMPER PLUG	1
12	WAS4000-08A	1/2" ID COIL SPRING WASHER	1

REV.	DESCRIPTION	DATE	APPROVED
A	REMOVED HOLE ON COILS ADDED HOLES ON MOUNTING SCREWS REVISED DIMENSIONS OF PARTS CHANGED SHEET FROM B TO C	10/02/19	
B	WASHER REVISED TO INKL000-08A WASHERS TO BE CHANGED	3/05/2019	



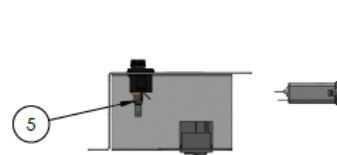
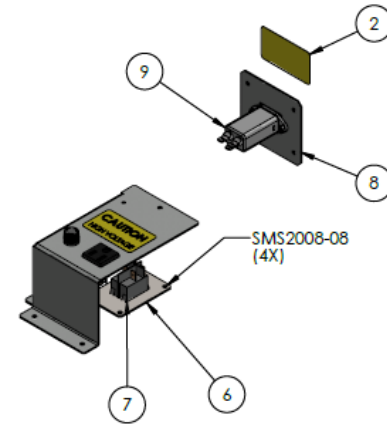
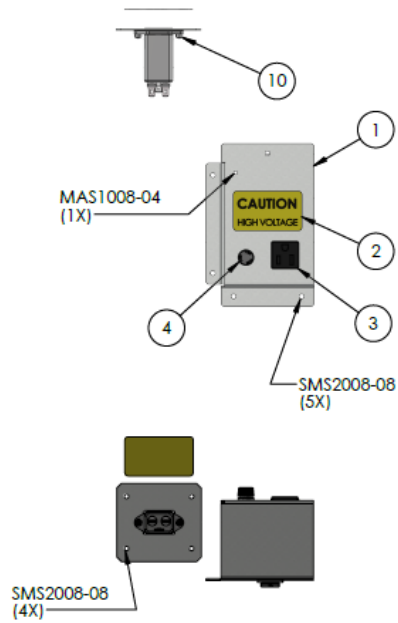
AMERICAN PINBALL  
1418 Yorkville St. Brentwood, TN 37027  
TEL: 615-875-5144  
WWW.AMERICANPINBALL.COM

DESCRIPTION:  
VUK ASSEMBLY - LEFT SIDE MOUNT  
SEE DWG. NO. C ASM0018-01  
REV B  
Manufactured by AMERICAN PINBALL, SCALE: 1:1 SHEET 1 OF 1

AMERICAN PINBALL AND THE PINBALL LOGO ARE TRADEMARKS OF AMERICAN PINBALL. ALL DIMENSIONS UNLESS OTHERWISE SPECIFIED ARE IN INCHES AND DECIMAL FRACTIONS THEREOF. DIMENSIONS IN PARENTHESES ARE FOR INFORMATION ONLY.

# Cabinet Power Box ASM0037-00

ITEM NO.	PART NUMBER	DESCRIPTION	QTY.
1	MTL0023-00B	CABINET POWER BOX	1
2	DCL0008-01C	CAUTION HIGH VOLTAGE	2
3	ELE0007-00	SERVICE OUTLET	1
4	ELE0008-00	LINE FUSE HOLDER	1
5	FUS0002-06	6 AMP SLO BLO 1/4" X 1/4" FUSE	1
6	MTL0026-00A	POWER SWITCH MOUNTING PLATE	1
7	SWI0014-00	ON/OFF ROCKER SWITCH	1
8	MTL0102-00	LINE FILTER MTG PLATE	1
9	ELE0006-00	LINE FILTER	1
10	NUT0004-00	4-40 NYLON LOCKNUT	2



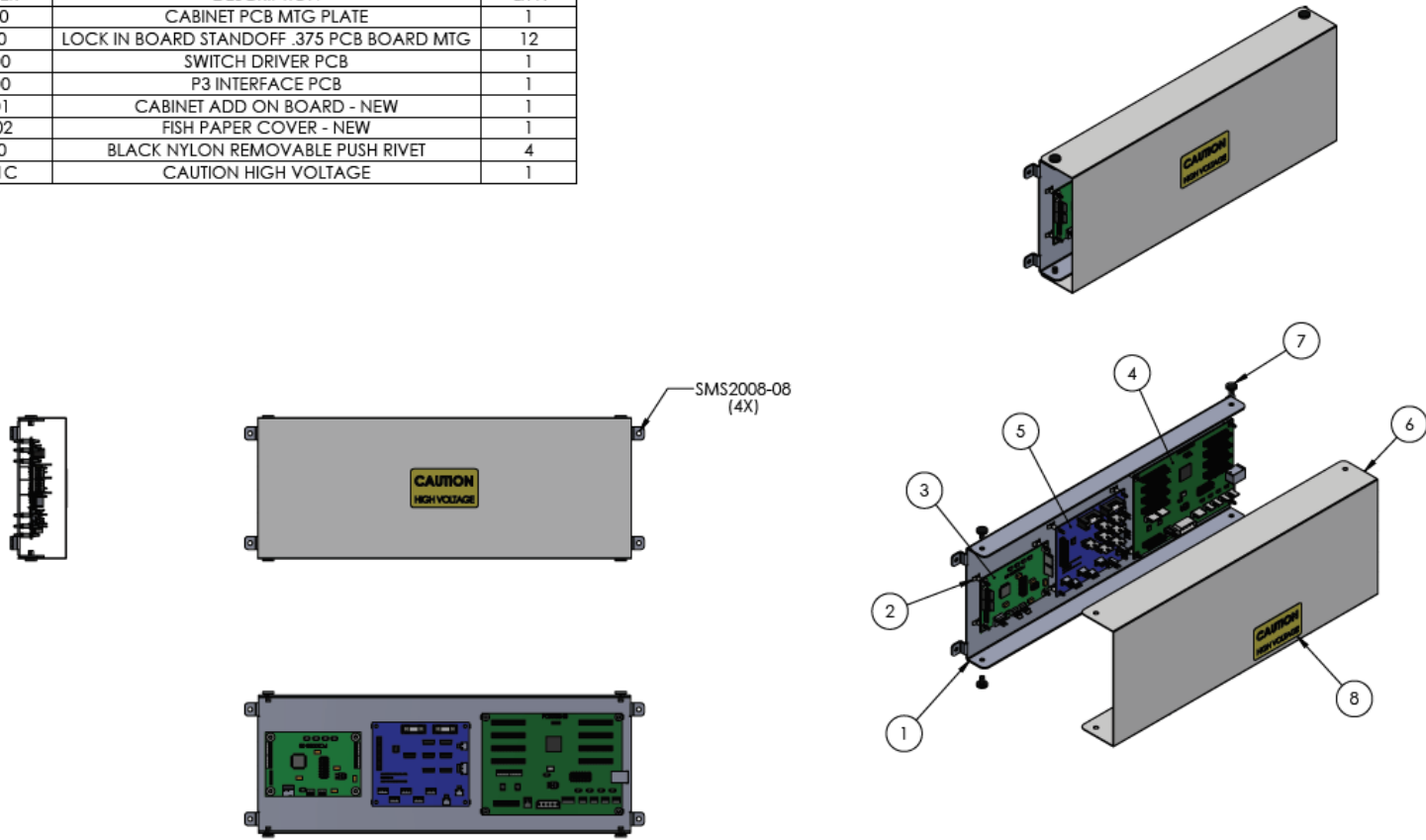
UNLESS OTHERWISE SPECIFIED:  
 NO SHARP CORNERS AND EDGES  
 TOLERANCES (DIM'S ARE IN INCHES)  
 ANGULAR: MACH ± .5 DEG  
 BEND ± 1 DEG  
 FRACTIONAL: ± .005  
 DEC: ± .015  
 .006 - ± .010  
 .0006 - ± .0001  
 FINISH 125RMS  
 DCC NCP  
 SCALE DRAWING

<b>AMERICAN PINBALL</b>		1448 Yorkshire Dr. Streamwood, IL 60107	
MATERIAL: AS PER BOM		DESCRIPTION: CABINET POWER BOX ASSEMBLY	
FINISH: NONE	SIZE <b>B</b>	DWG. NO. ASM0037-00	REV
DRAWN BY: RM	DRAWN DATE: 2/4/2019	SCALE: 1:4	SHEET 1 OF 1

PROPRIETARY AND CONFIDENTIAL: THE INFORMATION CONTAINED IN THIS DRAWING IS THE SOLE PROPERTY OF AMERICAN PINBALL. ANY REPRODUCTION IN PART OR AS A WHOLE WITHOUT THE WRITTEN PERMISSION OF AMERICAN PINBALL IS PROHIBITED.

Cabinet PCB ASM 0038-01

ITEM NO.	PART NUMBER	DESCRIPTION	QTY.
1	MTL0130-00	CABINET PCB MTG PLATE	1
2	PLS0023-00	LOCK IN BOARD STANDOFF .375 PCB BOARD MTG	12
3	PCB0003-00	SWITCH DRIVER PCB	1
4	PCB0002-00	P3 INTERFACE PCB	1
5	PCB0021-01	CABINET ADD ON BOARD - NEW	1
6	MSC0011-02	FISH PAPER COVER - NEW	1
7	PLS0073-00	BLACK NYLON REMOVABLE PUSH RIVET	4
8	DCL0008-01C	CAUTION HIGH VOLTAGE	1



	UNLESS OTHERWISE SPECIFIED: NO SHARP CORNERS AND EDGES. TOLERANCES (DIM'S ARE IN INCHES) ANGULAR: MATCHES 5 DEG BEND ± 1 DEG FRACTIONAL: ± .020 .5: ±.015 .06: ±.010 .006: ±.005 .0005: ±.0001 FINISH 125RMS	<b>AMERICAN PINBALL</b> 1448 Yorkshire Dr. Streamwood, IL 60107	
	MATERIAL: AS PER BOM	DESCRIPTION: CABINET PCB ASSEMBLY	
	FINISH: NONE	SIZE    DWG. NO.    REV <b>B</b> ASM0038-01	DRAWN BY:    RM    DRAWN DATE: 2/11/2019    SCALE: 1:4    SHEET 1 OF 1
	DO NOT SCALE DRAWING		

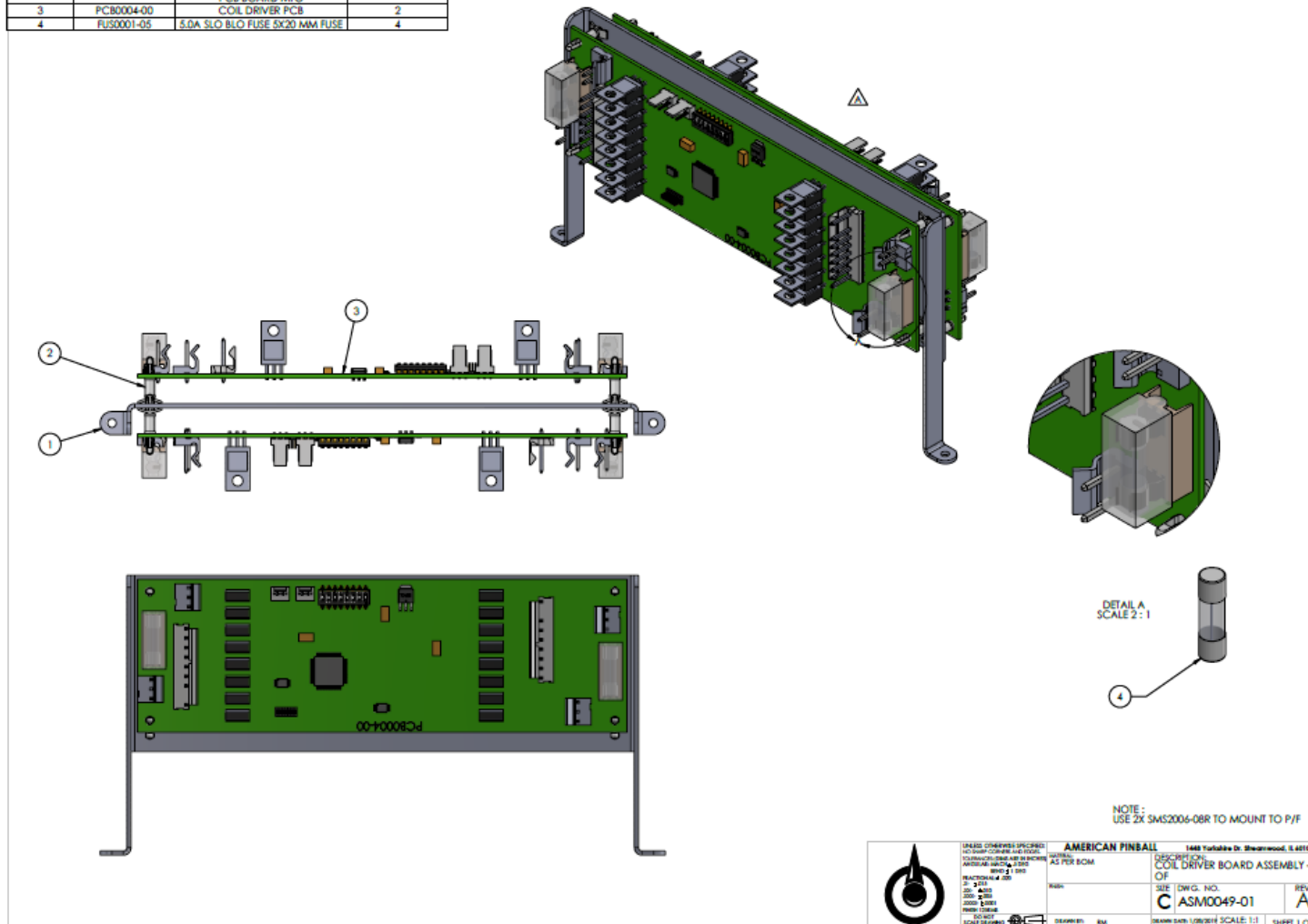
PROPRIETARY AND CONFIDENTIAL: THE INFORMATION CONTAINED IN THIS DRAWING IS THE SOLE PROPERTY OF AMERICAN PINBALL. ANY REPRODUCTION IN PART OR AS A WHOLE WITHOUT THE WRITTEN PERMISSION OF AMERICAN PINBALL IS PROHIBITED.



# Coil Driver ASM0049-01

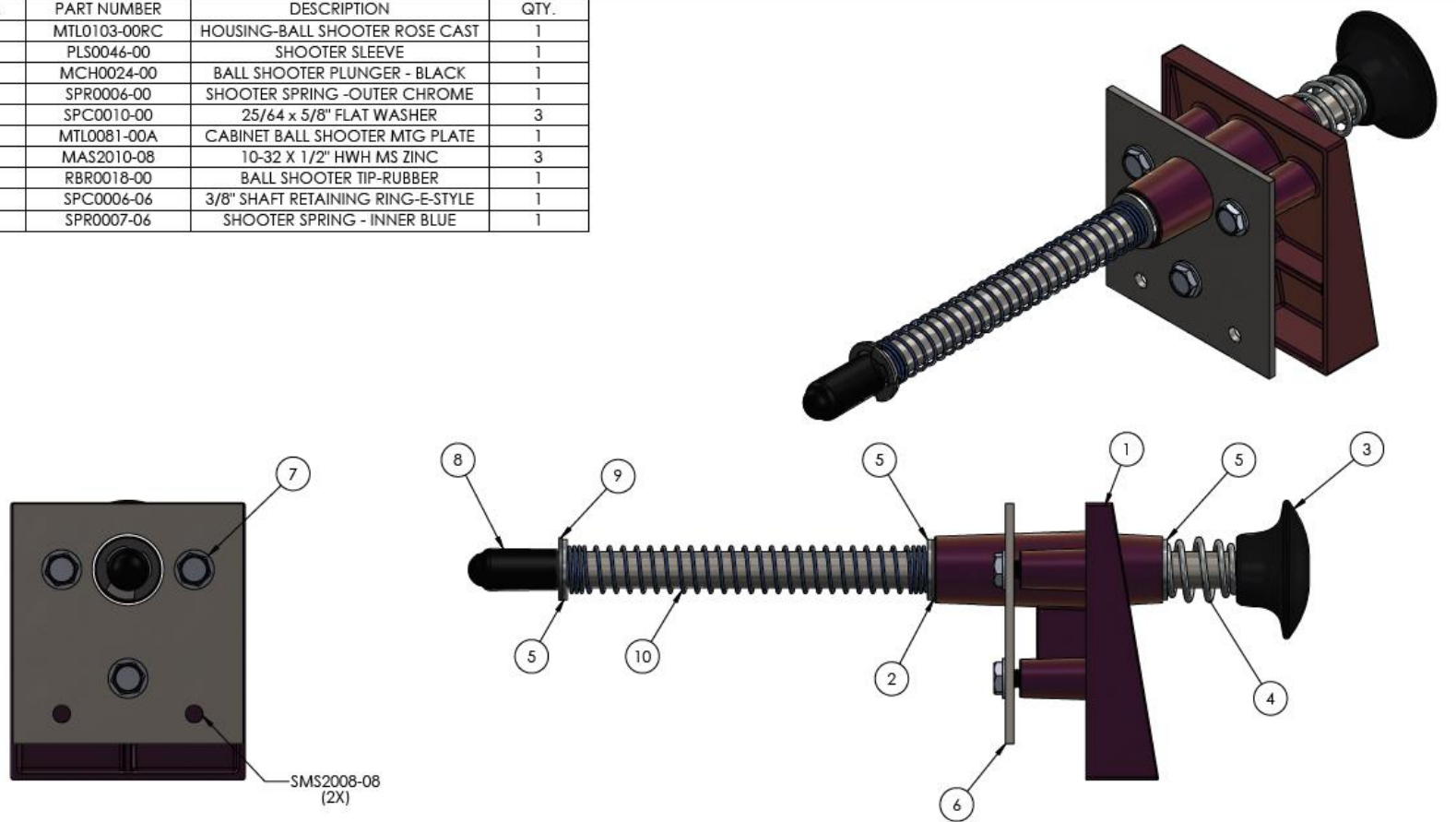
ITEM NO.	PART NUMBER	DESCRIPTION	QTY.
1	MTL0075-02A	COIL DRIVER PCB MOUNTING BRACKET	1
2	PLS0023-00	LOCK IN BOARD STANDOFF .375 PCB BOARD MTG	8
3	PCB0004-00	COIL DRIVER PCB	2
4	RUS0001-05	5.0A SLO BLO FUSE 5X20 MM FUSE	4


REVISIONS			
REV.	DESCRIPTION	DATE	APPROVED
A	FLIPPED ORIENTATION OF BOTH PCB	1/09/2019	



# Ball Shooter ASM0058-00RC

ITEM NO.	PART NUMBER	DESCRIPTION	QTY.
1	MTL0103-00RC	HOUSING-BALL SHOOTER ROSE CAST	1
2	PLS0046-00	SHOOTER SLEEVE	1
3	MCH0024-00	BALL SHOOTER PLUNGER - BLACK	1
4	SPR0006-00	SHOOTER SPRING - OUTER CHROME	1
5	SPC0010-00	25/64 x 5/8" FLAT WASHER	3
6	MTL0081-00A	CABINET BALL SHOOTER MTG PLATE	1
7	MAS2010-08	10-32 X 1/2" HWH MS ZINC	3
8	RBR0018-00	BALL SHOOTER TIP-RUBBER	1
9	SPC0006-06	3/8" SHAFT RETAINING RING-E-STYLE	1
10	SPR0007-06	SHOOTER SPRING - INNER BLUE	1

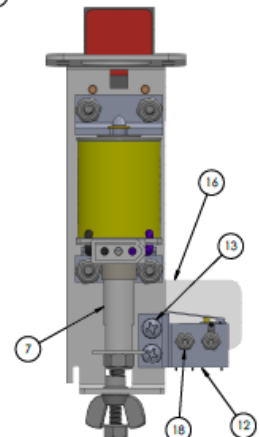
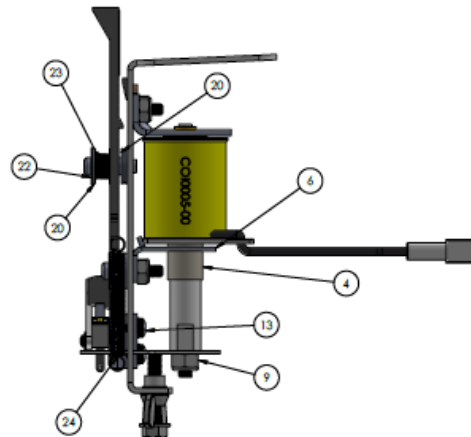
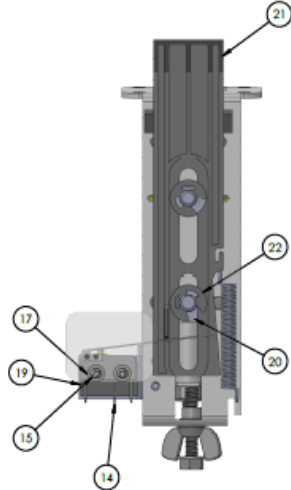
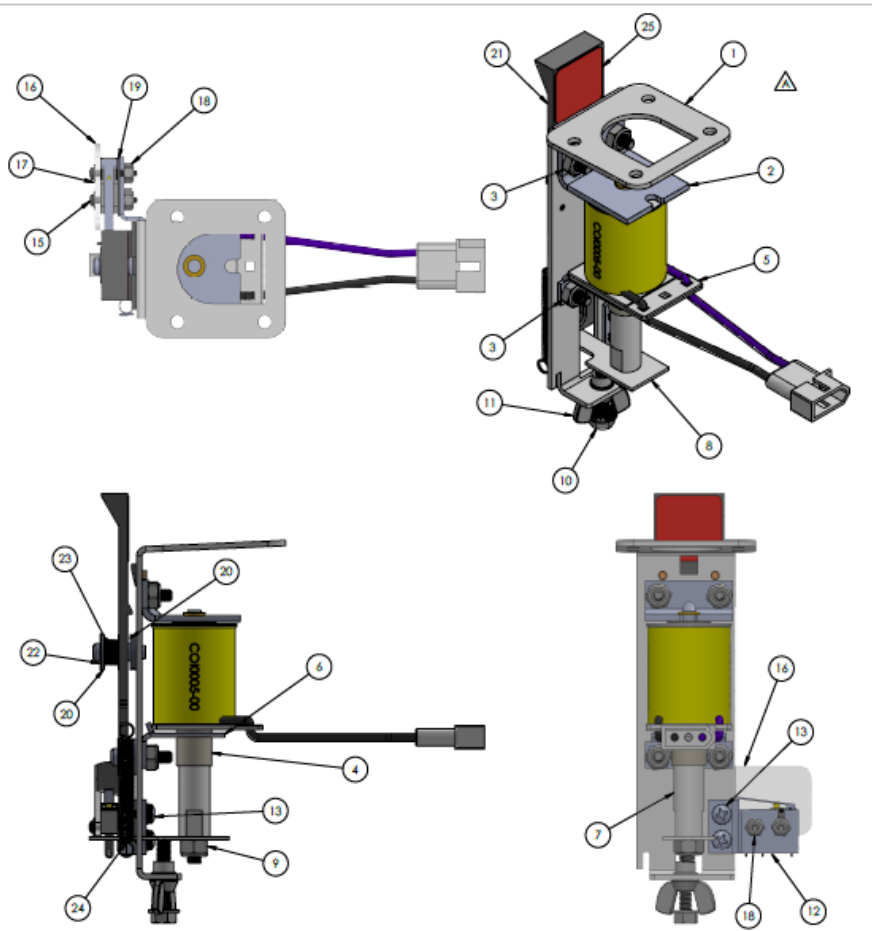


	UNLESS OTHERWISE SPECIFIED: NO SHARP CORNERS AND EDGES. TOLERANCES (DIM'S ARE IN INCHES) ANGULAR: MATCH ± 5 DEG BEND ± 1 DEG FRACTIONAL: ± .020 .10 ± .015 .30 ± .010 .500 ± .005 .0000 ± .0001 FINISH 125RMS	<b>AMERICAN PINBALL</b> MATERIAL: AS PER BOM FINISH:	1448 Yorkshire Dr. Streamwood, IL 60107 DESCRIPTION: BALL SHOOTER ASSEMBLY - OKTOBERFEST - ROSE CAST P1111B
	DO NOT SCALE DRAWING	DRAWN BY: RM	SIZE DWG. NO. REV <b>B</b> ASM0058-00RC

PROPRIETARY AND CONFIDENTIAL: THE INFORMATION CONTAINED IN THIS DRAWING IS THE SOLE PROPERTY OF AMERICAN PINBALL. ANY REPRODUCTION IN PART OR AS A WHOLE WITHOUT THE WRITTEN PERMISSION OF AMERICAN PINBALL IS PROHIBITED.

# Drop Target ASM 0064-02A

ITEM NO.	PART NUMBER	DESCRIPTION	QTY.
1	SUB0009-00	BRACKET & POST ASSEMBLY	1
2	SUB0010-00	COIL STOP	1
3	NUT0008-00	8-32 NYLON LOCKNUT - LOW PROFILE	4
4	PLS0059-00	COIL SLEEVE 2-1/16" X 1/2" NO FLANGE	1
5	COI0005-00	26-1200 LUGLESS COIL	1
6	MIL0072-00	COIL CENTERING BRACKET	1
7	PGR0010-00	DROP TARGET PLUNGER	1
8	MIL0115-00	RESET PLATE SINGLE TARGET	1
9	NUT0010-00	10-32 NYLON LOCKNUT	1
10	MAS2010-16	10-32 X 1" HWH MS ZINC	1
11	NUT3010-00	10-32 WINGNUT	1
12	MIL0116-00	SWITCH BRACKET	1
13	MAS1006-03	6-32 X 3/16" PPH MS SEMS ZINC	2
14	SWI0020-00	MICRO SWITCH 2" BLADE	1
15	MAS0002-10	2-56 X 5/8" PPH MS EIMC	2
16	PLS0040-00	1 BANK D/T GUIDE ACTUATOR PLASTIC	1
17	WAS0002-00	#2-56 FLAT WASHER	2
18	NUT0002-00	2-56 NYLON LOCKNUT	2
19	MSC0003-00	SWITCH INSULATOR FISH PAPER	1
20	SPC0014-00	254 X .500 FLAT WASHER	4
21	PLS0058-00	TARGET - FLUSH	1
22	SPC0003-04	1/4" B-RING	2
23	SPR0009-00	1 BANK COMPRESSION SPRING	1
24	SPR0010-00	DROP TARGET EXTENSION SPRING	1
25	DCL0008-25C	D/T DECAL	1



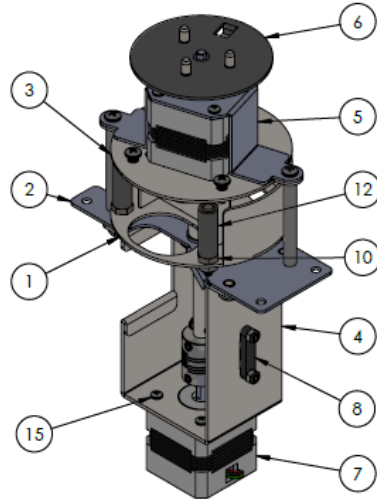
NOTE:  
USE 4X SMS2008-08 TO MOUNT TO P/F

REV.	DESCRIPTION	REVISIONS	DATE	APPROVED
A	ASSEMBLY REDRAWN TO SHOW ALL THE PARTS		1/30/2019	

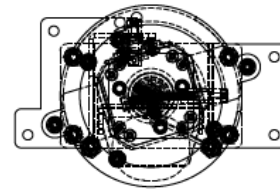
	(UNLESS OTHERWISE SPECIFIED) NO SHARP CORNERS AND ROUNDS TO BE MAINTAINED UNLESS OTHERWISE SPECIFIED. FINISHES: UNLESS OTHERWISE SPECIFIED ALL SURFACES TO BE POLISHED TO A 150 GRIT FINISH. DIMENSIONS: UNLESS OTHERWISE SPECIFIED ALL DIMENSIONS TO BE IN INCHES UNLESS OTHERWISE SPECIFIED DIMENSIONS IN PARENT PARENTHESIS INDICATE DECIMAL DIMENSIONS. DIMENSIONS IN BRACKETED PARENT PARENTHESIS INDICATE DIMENSIONS TO BE MAINTAINED. DIMENSIONS IN PARENT PARENTHESIS INDICATE DIMENSIONS TO BE MAINTAINED. DIMENSIONS IN BRACKETED PARENT PARENTHESIS INDICATE DIMENSIONS TO BE MAINTAINED. DIMENSIONS IN PARENT PARENTHESIS INDICATE DIMENSIONS TO BE MAINTAINED.	<b>AMERICAN PINBALL</b> 1488 Yorkshire Dr. Birmingham, AL 35207 TEL: 205-988-1111 FAX: 205-988-1112 WWW.AMERICANPINBALL.COM	DESCRIPTION: 1 BANK DROP TARGET ASSEMBLY - NO TRIP COIL PART NO. ASM0064-02 REV. A
	DRAWN: BJA CHECKED: BJA DATE: 1/30/2019 SCALE: AS SHOWN SHEET 1 OF 1		

# Bartender ASM0065-00

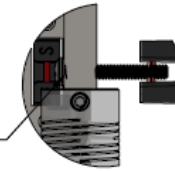
ITEM NO.	PART NUMBER	QTY	DESCRIPTION
1	MTL0146-00E	1	BAR DOOR
2	MTL0147-00B	1	BAR MECH PLAYFIELD MOUNT
3	MTL0148-00C	1	BARTENDER PLATE
4	MTL0149-00D	1	BAR MOTOR MOUNT
5	MTL0150-00A	1	BARTENDER MOTOR HAT BRACKET
6	MTL0153-00B	1	BARTENDER FIGURE PLATE
7	MTR0005-00	2	NEMA 17 BIPOLAR 45NCM (64 OZ.IN) STEPPER MOTOR
8	SWI0008-00	2	OPTEK U SHAPED OPTO OPB816Z
9	SWI0024-00	1	OPTEK U SHAPED OPTO OPB832W55Z
10	PST0005-00	2	3/8" PLAIN HEX SLEEVE POST 8-32 X 5/16" THREAD
11	NUT0008-00	6	8-32 NYLON LOCKNUT - LOW PROFILE
12	RBR0005-00	2	POST SLEEVE RUBBER - BLACK
13	NUT0004-00	4	4-40 NYLON LOCKNUT
14	MCH0038-00	1	5MM X 5 MM COUPLER
15	MAS30MM-6M	8	M3.0MM X 6MM PPH MS ZINC
16	MAS0004-04	2	4-40 X 1/4" PPH MS ZINC
17	MAS2008-06	2	8-32 X 3/8" HWH MS ZINC
18	MAS0008-06	6	8-32 X 3/8" PPH MS ZINC
19	MAS0006-16	1	6-32 X 1" PPH MS ZINC
20	RND0408-32	3	8/32 X 2 IN. ROUND THREADED STANDOFF



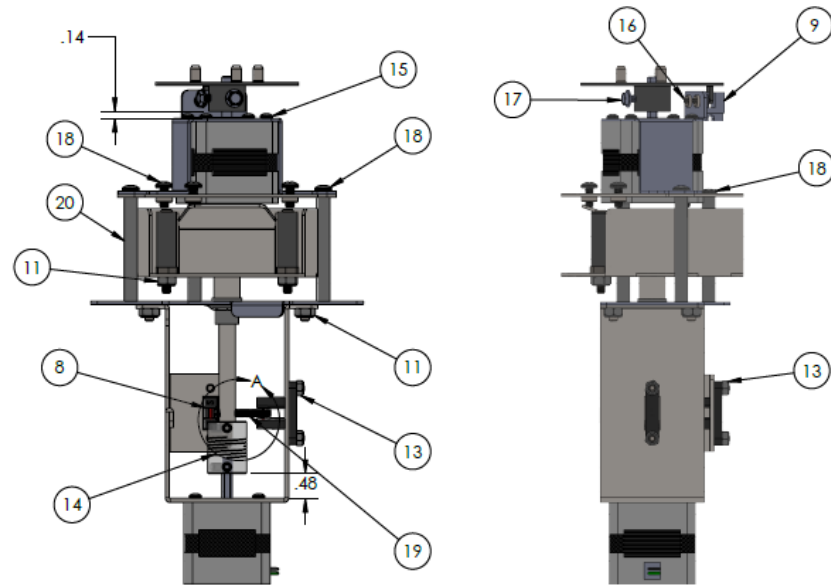
NOTE : APPLY LOCTITE ON ALL SCREWS EXCEPT MOTOR SCREWS BEFORE FASTENING



APPLY LOCTITE ON INTERNAL THREADS



DETAIL A  
SCALE 1 : 1



UNLESS OTHERWISE SPECIFIED:  
NO SHARP CORNERS AND EDGES.  
TOLERANCES (DIMENSIONS ARE IN INCHES)  
ANGULAR: MATCH ± 5 DEG  
FRACTIONAL: ± .001  
X: ± .015  
X.06: ± .010  
X.006: ± .005  
X.0006: ± .0001  
FINISH 125RMS  
DO NOT SCALE DRAWING

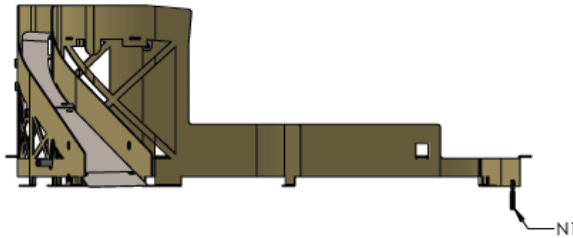
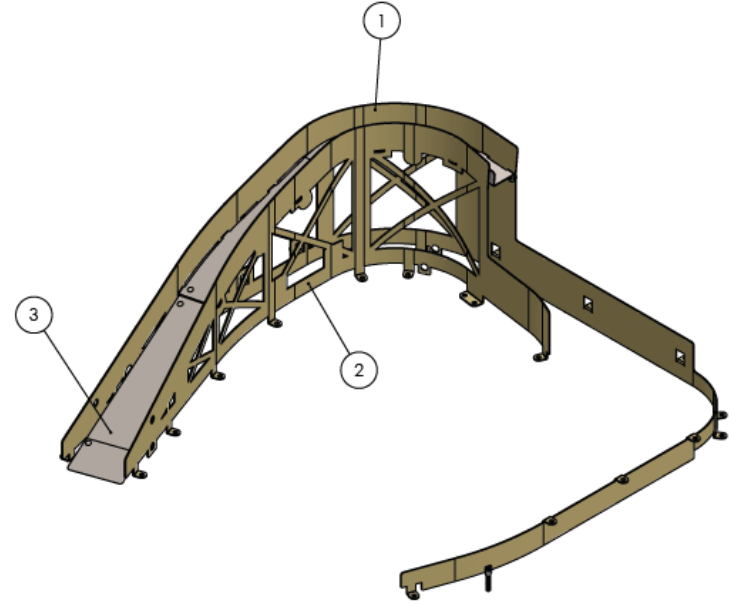
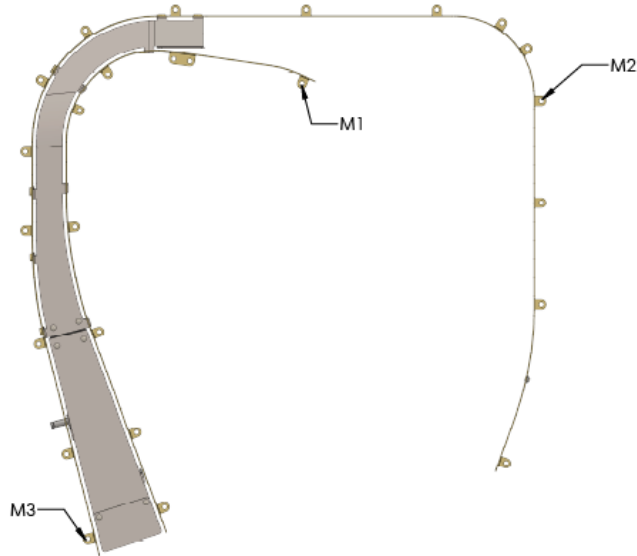
<b>AMERICAN PINBALL</b>		1448 Yorkshire Dr. Streamwood, IL 60107	
MATERIAL:		DESCRIPTION:	BARTENDER MECH
FINISH:		SIZE	DWG. NO.
		<b>B</b>	<b>ASM0065-00</b>
			REV
DRAWN BY: RM		DRAWN DATE: 3/15/2019	SCALE: 1:2
			SHEET 1 OF 1

PROPRIETARY AND CONFIDENTIAL: THE INFORMATION CONTAINED IN THIS DRAWING IS THE SOLE PROPERTY OF AMERICAN PINBALL. ANY REPRODUCTION IN PART OR AS A WHOLE WITHOUT THE WRITTEN PERMISSION OF AMERICAN PINBALL IS PROHIBITED.


Ramp ASM0074-00A

ITEM NO.	PART NUMBER	DESCRIPTION	QTY.
1	SUB0020-00B	UP RAMP OUTER FLAT RAIL ASSEMBLY	1
2	FLR0012-00	MAIN LOOP INNER FLAT RAIL	1
3	ASM0081-00A	UP RAMP FLOOR ASSEMBLY	1

REVISIONS			
REV.	DESCRIPTION	DATE	APPROVED
A	ASSEMBLY REDRAWN UP RAMP COIL ASSEMBLY REMOVED MOUNTING NOTES ADDED ADDED REVISED FLOOR ASSEMBLY	1/29/2019	



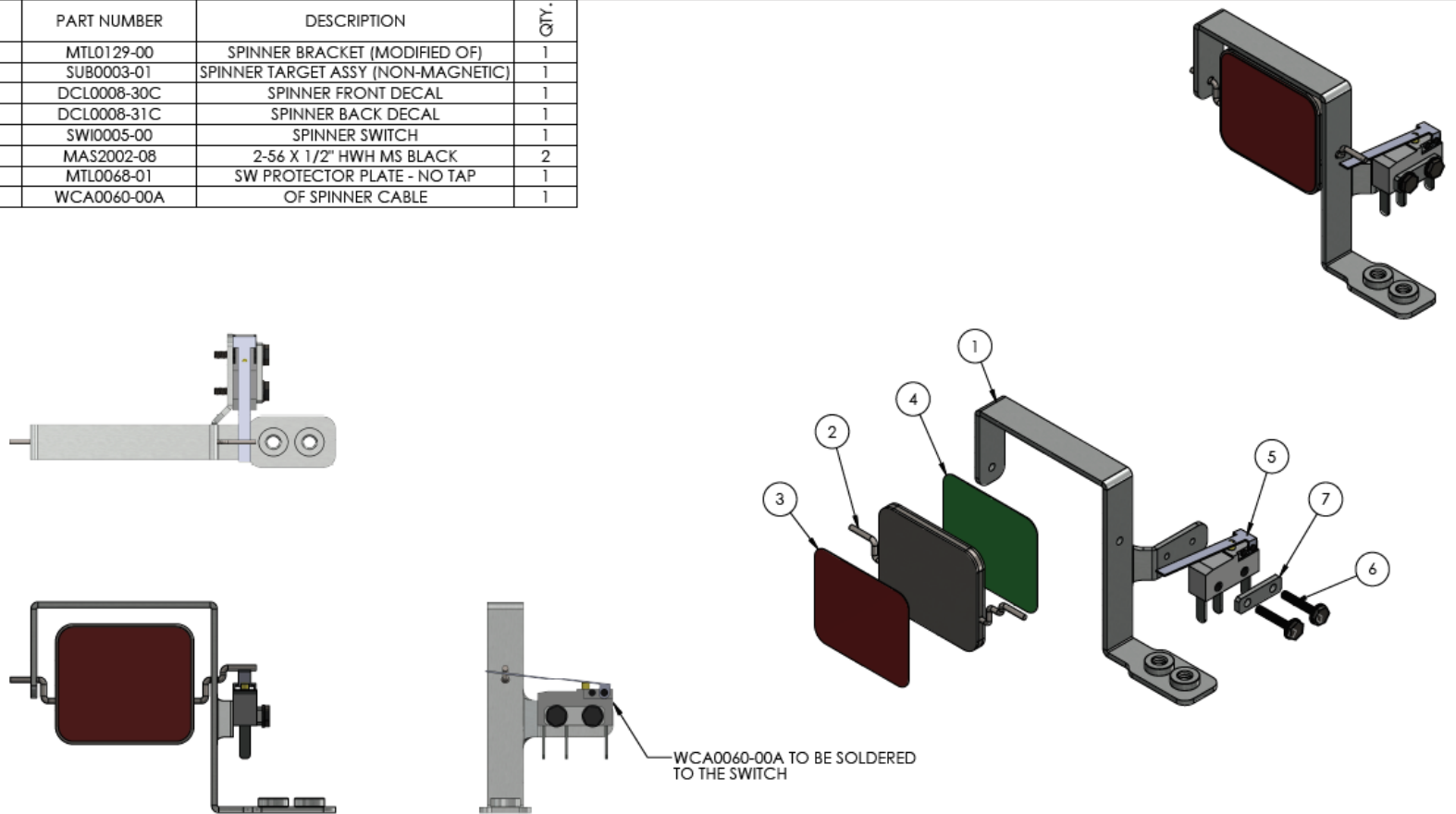
- NOTE (MOUNTING) :
1. LOCATION M1 (P/F) : 9X SMS2008-08
  2. LOCATION M2 (WOODRAILS) : 8X SMS7006-08
  3. LOCATION M3 (P/F) : 8X SMS2008-08
  4. LOCATION N1 (P/F) : NUT0008-00

	UNLESS OTHERWISE SPECIFIED: NO SHARP CORNERS AND EDGES. TOLERANCES(DIM. ARE IN INCHES) ANGULAR: MAX/CS. 5 DEG BEND ± 1 DEG FRACTIONAL: ± .020 .10: ±.015 .300: ±.010 .500: ±.005 1.000: ±.0001 FINISH 125RMS DO NOT SCALE DRAWING	<b>AMERICAN PINBALL</b> MATERIAL: AS PER BOM FINISH: NONE	1448 Yorkshire Dr. Streamwood, IL 60107 DESCRIPTION: OF UP RAMP ASSEMBLY SIZE DWG. NO. <b>B</b> ASM0074-00 DRAWN BY: RM DRAWN DATE: 1/29/2019 SCALE: 1:4	REV <b>A</b> SHEET 1 OF 1
---	--	---	--	---------------------------------

PROPRIETARY AND CONFIDENTIAL: THE INFORMATION CONTAINED IN THIS DRAWING IS THE SOLE PROPERTY OF AMERICAN PINBALL. ANY REPRODUCTION IN PART OR AS A WHOLE WITHOUT THE WRITTEN PERMISSION OF AMERICAN PINBALL IS PROHIBITED.

# Spinner ASM0076-00

ITEM NO.	PART NUMBER	DESCRIPTION	QTY.
1	MTL0129-00	SPINNER BRACKET (MODIFIED OF)	1
2	SUB0003-01	SPINNER TARGET ASSY (NON-MAGNETIC)	1
3	DCL0008-30C	SPINNER FRONT DECAL	1
4	DCL0008-31C	SPINNER BACK DECAL	1
5	SWI0005-00	SPINNER SWITCH	1
6	MAS2002-08	2-56 X 1/2" HWH MS BLACK	2
7	MTL0068-01	SW PROTECTOR PLATE - NO TAP	1
8	WCA0060-00A	OF SPINNER CABLE	1



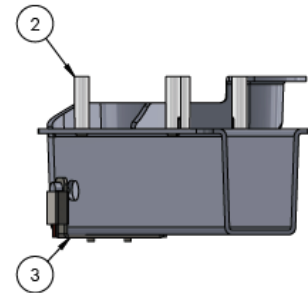
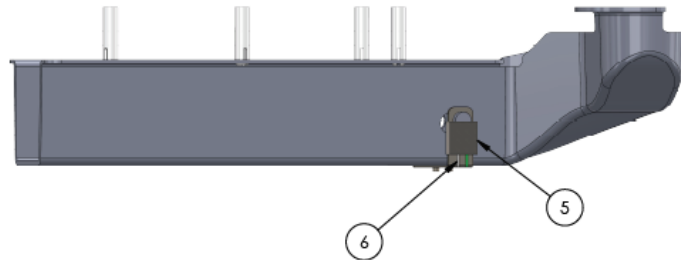
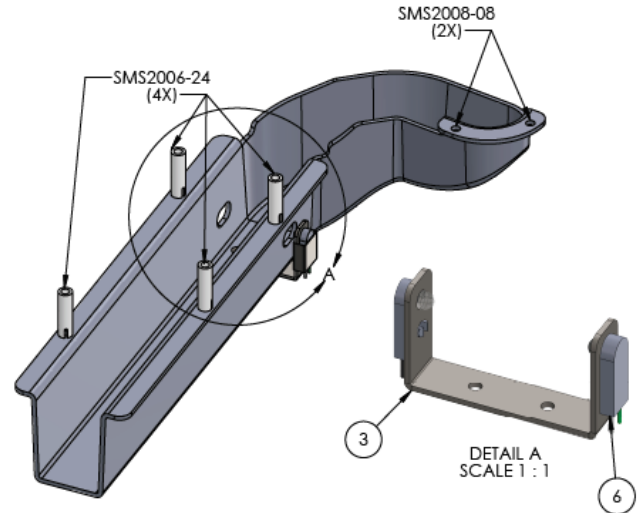
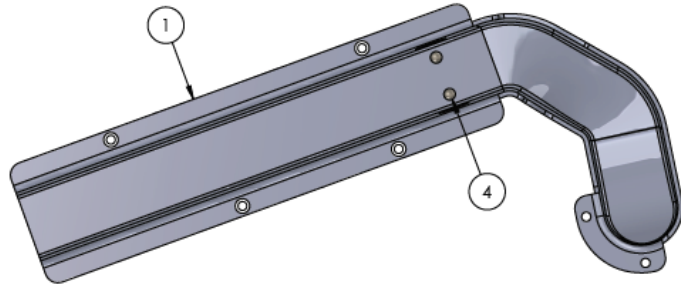
NOTES :  
 1) USE MAS2008-12 (X2) FOR MOUNTING  
 2) COLORS USED IN THIS ASSEMBLY DRAWING ARE FOR ILLUSTRATION PURPOSE ONLY.


	UNLESS OTHERWISE SPECIFIED: NO SHARP CORNERS AND EDGES. TOLERANCES-DIMS ARE IN INCHES ANGULAR: MAX±.5 DEG BEND ± 1 DEG FRACTIONAL±.020 .X. ±.015 .XX. ±.010 .XXX. ±.005 .XXXX. ±.0001 FINISH 125RMS DO NOT SCALE DRAWING	<b>AMERICAN PINBALL</b> MATERIAL: AS PER BOM FINISH:	1448 Yorkshire Dr. Streamwood, IL 60107 DESCRIPTION: OF MODIFIED SPINNER ASSEMBLY SIZE DWG. NO. REV <b>B</b> ASM0076-00
	DRAWN BY: RM DRAWN DATE: 2/1/2019 SCALE: 1:1 SHEET 1 OF 1		

PROPRIETARY AND CONFIDENTIAL: THE INFORMATION CONTAINED IN THIS DRAWING IS THE SOLE PROPERTY OF AMERICAN PINBALL. ANY REPRODUCTION IN PART OR AS A WHOLE WITHOUT THE WRITTEN PERMISSION OF AMERICAN PINBALL IS PROHIBITED.

Subway ASM0077-00

ITEM NO.	PART NUMBER	DESCRIPTION	QTY.
1	PLS0070-00	OF UNDERTROUGH	1
2	PLS0020-00	NYLON PCB SUPPORTS #8 HRS8-16	4
3	MTL0033-00	RAMP OPTO BRACKET	1
4	SPC0005-02	1/8" X 7/32" LONG X 7/32" HEAD NICKEL RIVET	2
5	MTL0097-00	OPTO RETAINER	2
6	WCA0016-00A	OPTEK OPTO CABLE ASSEMBLY	1



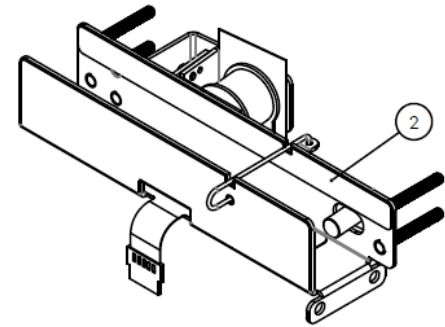
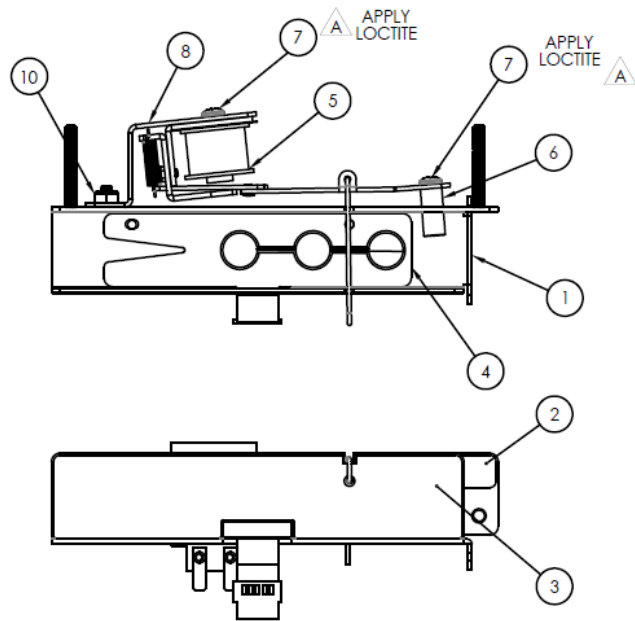
	UNLESS OTHERWISE SPECIFIED: NO SHARP CORNERS AND EDGES. TOLERANCES/STDS ARE IN INCHES) ANGULAR: MATCH 5 DEG BEND ± 1 DEG FRACTIONAL: ± .020 .6: ±.015 .06: ±.010 .006: ±.005 .0005: ±.0001 FINISH 125RMS DO NOT SCALE DRAWING	<b>AMERICAN PINBALL</b> MATERIAL: AS PER BOM FINISH:	1448 Yorkshire Dr. Streamwood, IL 60107 DESCRIPTION: OF UNDERTROUGH ASSEMBLY
	DWG. NO. <b>B ASM0077-00</b>	REV	DRAWN BY: RM DRAWN DATE: 2/5/2019 SCALE: 1:2

PROPRIETARY AND CONFIDENTIAL: THE INFORMATION CONTAINED IN THIS DRAWING IS THE SOLE PROPERTY OF AMERICAN PINBALL. ANY REPRODUCTION IN PART OR AS A WHOLE WITHOUT THE WRITTEN PERMISSION OF AMERICAN PINBALL IS PROHIBITED.

Coaster Lock ASM0078-00A

ITEM NO.	PART NUMBER	DESCRIPTION	QTY.
1	MTL0140-00	LOCK MECH TROUGH - COASTER	1
2	DCL0008-44C	COASTER LOCK BACK WALL DECAL	1
3	DCL0008-45C	CORKSCREW SHACK DECAL	1
4	SWI0022-00A	3 - POSITION MEMBRANE SWITCH	1
5	SUB0016-00A	BALL LOCK COIL ASSEMBLY	1
6	MCH0037-00	LOCK MECH STOP PIN	1
7	MAS0008-06	8-32 X 3/8" PPH MS ZINC	2
8	MTL0136-00A	LOCK MECH COIL BRACKET	1
9	WRF0014-00	BALL LOCK WIRE FORM	1
10	NUT0008-00	8-32 NYLON LOCKNUT - LOW PROFILE	2

REVISIONS			
REV.	DESCRIPTION	DATE	APPROVED
A	REMOVED TO 10015-00 ADDED DECALS CHANGED SPRING COLOR TO RED ADDED NOTE ON LOCTITE REMOVED EXPLODED VIEW	1/29/2019	



	UNLESS OTHERWISE SPECIFIED: NO SHARP CORNERS AND EDGES. TOLERANCES/DIMS ARE IN INCHES ANGULAR: MAX ± .5 DEG BEND ± 1 DEG FRACTIONAL: ± .020 .1" ± .015 .300" ± .010 .300" ± .005 .3000" ± .0001 FINISH 125RMS	<b>AMERICAN PINBALL</b> 1448 Yorkshire Dr. Streamwood, IL 60107		
	MATERIAL: AS PER BOM	DESCRIPTION: LOCK MECH TROUGH - COASTER ASSEMBLY		
	FINISH: NONE	SIZE <b>B</b>	DWG. NO. ASM0078-00A	REV <b>A</b>
	DO NOT SCALE DRAWING	DRAWN BY: RM	DRAWN DATE: 1/29/2019	SCALE: 1:1.5      SHEET 1 OF 1

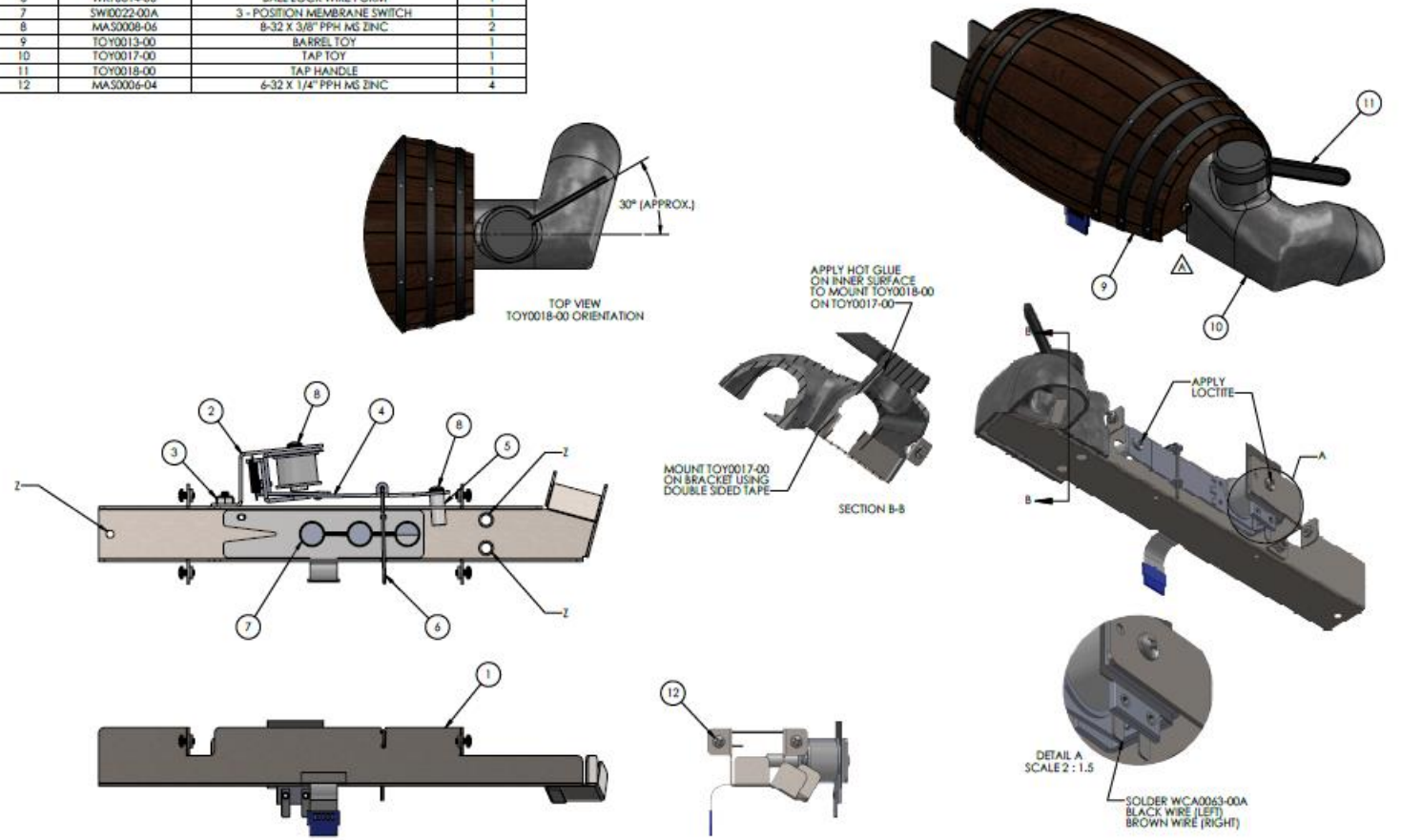
PROPRIETARY AND CONFIDENTIAL: THE INFORMATION CONTAINED IN THIS DRAWING IS THE SOLE PROPERTY OF AMERICAN PINBALL. ANY REPRODUCTION IN PART OR AS A WHOLE WITHOUT THE WRITTEN PERMISSION OF AMERICAN PINBALL IS PROHIBITED.



# Beer Barrel Lock ASM0079-00A

ITEM NO.	PART NUMBER	DESCRIPTION	QTY.
1	MIL0140-01C	LOCK MECH TROUGH BRACKET - BARREL	1
2	MIL0136-00A	LOCK MECH COIL BRACKET	1
3	NUT0008-00	B-32 NYLON LOCKNUT - LOW PROFILE	2
4	SUB0016-00A	BALL LOCK COIL ASSEMBLY	1
5	MC0037-00	LOCK MECH STOP PIN	1
6	WRF0014-00	BALL LOCK WIRE FORM	1
7	SW0022-00A	3 - POSITION MEMBRANE SWITCH	1
8	MA30008-06	B-32 X 3/8" PPH MG ZINC	2
9	TOY0013-00	BARREL TOY	1
10	TOY0017-00	TAP TOY	1
11	TOY0018-00	TAP HANDLE	1
12	MA30006-04	6-32 X 1/4" PPH MG ZINC	4

REVISIONS			
REV	DESCRIPTION	DATE	APPROVED
A	ADDED TOP TO THE ASSEMBLY ADDED NOTES FOR MOUNTING ADDED NOTE FOR USING LOCITITE	1/28/2019	



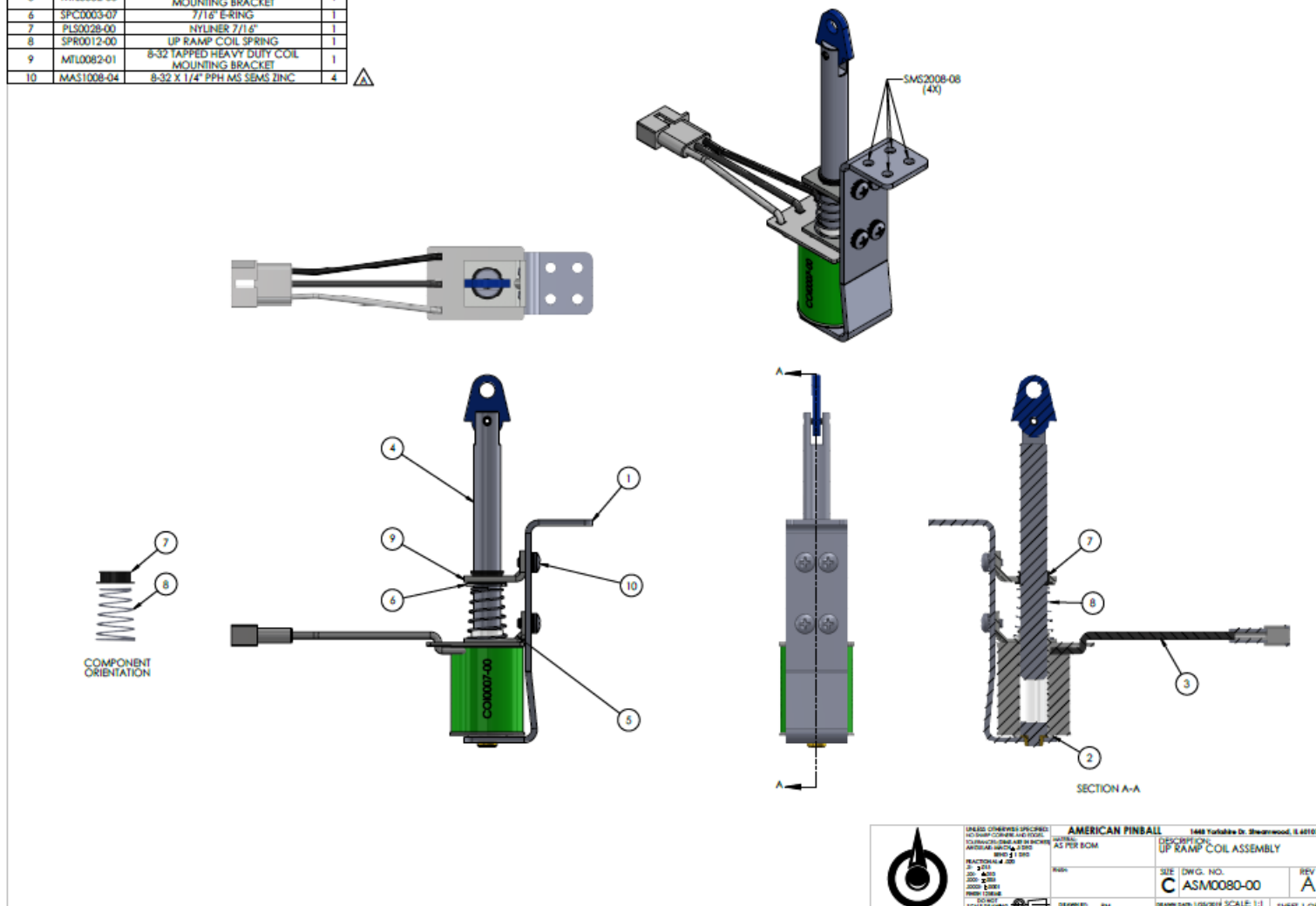
NOTES:  
 1. USE 3X MA30008-06U ON MOUNTING LOCATION "Z"  
 2. MOUNT TOY0017-00 AND TOY0018-00 AFTER MOUNTING  
 THE ASSEMBLY ON THE PLAYFIELD.

	(UNLESS OTHERWISE SPECIFIED) ALL DIMENSIONS ARE IN INCHES DIMENSIONS IN PARENTHESES ARE IN MILLIMETERS FINISHES ARE AS SHOWN UNLESS OTHERWISE SPECIFIED ALL DIMENSIONS ARE TO CENTER UNLESS OTHERWISE SPECIFIED DIMENSIONS TO SURFACE UNLESS OTHERWISE SPECIFIED	AMERICAN PINBALL 1488 Yorkshire Dr. Sheboygan, WI 54881	DESCRIPTION: LOCK MECH TROUGH - BARREL ASSEMBLY
	REACTION # 205 DR. # 103 JOB # 6030 DATE 08/08/18 DRAWN BY CHECKED BY	DATE: 1/28/2019 SCALE: 1:1.5 SHEET 1 OF 1	SIZE: DWG. NO. C ASM0079-00 REV: A

# Up Ramp Coil ASM0080-00A

ITEM NO.	PART NUMBER	DESCRIPTION	QTY.
1	SUB0021-00B	UP RAMP COIL MFG BRACKET	1
2	PLS0035-00	COIL SLEEVE 1-3/4" X 1/2" NO FLANGE	1
3	CO0007-00	26-600/33-3500 LUGLESS UP/DOWN COIL	1
4	SUB0022-00A	UP RAMP FLUNGER AND LINK ASSEMBLY	1
5	MTL0082-00	8-32 TAPPED STANDARD COIL MOUNTING BRACKET	1
6	SFC0003-07	7/16" E-RINGS	1
7	PLS0028-00	NYLINER 7/16"	1
8	SPR0012-00	UP RAMP COIL SPRING	1
9	MTL0082-01	8-32 TAPPED HEAVY DUTY COIL MOUNTING BRACKET	1
10	MAS1008-04	8-32 X 1/4" PPH MS SEMS ZINC	4

REVISIONS			
REV.	DESCRIPTION	DATE	APPROVED
A	CHANGED MAS2008-04 TO MAS1008-04	1/25/2019	



# Ramp Floor ASM0081-00B

REVISIONS			
REV.	DESCRIPTION	DATE	APPROVED
A	CHANGED HINTS ADDED WASHERS	1/25/2019	
B	NEED 4 WASHERS INSTEAD OF 2 FOR THE LAMP FLAP ADDED DETAIL VIEW	3/19/2019	

ITEM NO.	PART NUMBER	DESCRIPTION	QTY.
1	MFL0141-00A	UP RAMP METAL FLOOR TOP	1
2	PUR0008-00	UP RAMP HINGE	1
3	MFL0143-00A	UP RAMP FLAP	1
4	SPC0005-02	1/8" X 7/32" LONG X 7/32" HEAD NICKEL RIVET	4
5	WAS0004-00	#4 FLAT WASHER	8
6	SUB0023-00A	UP RAMP METAL FLOOR BOTTOM SUB ASSY	1
7	SPC0005-00	1/8" X 3/16" LONG X 7/32" HEAD NICKEL RIVET	2

TWO WASHERS  
ON EACH SIDE

DETAIL A  
SCALE 1:1

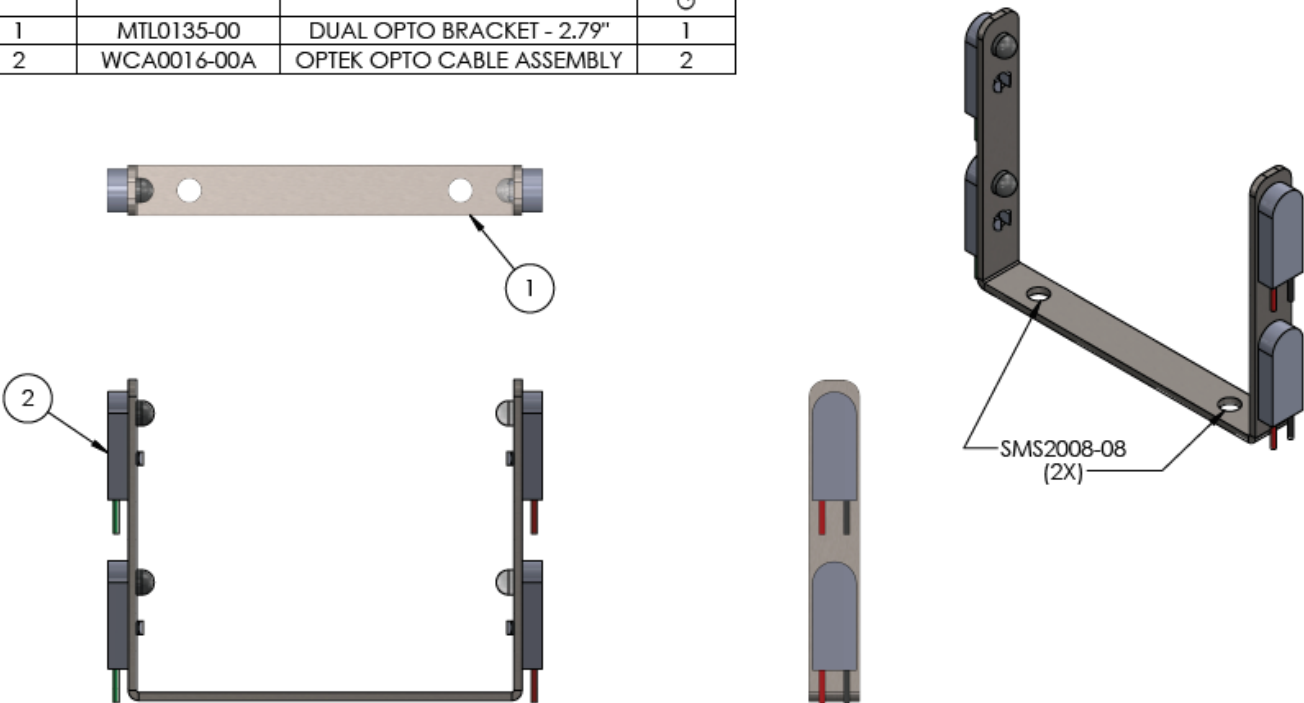
SPC0003-04  
(E-CLIP)


MAS1008-04  
(X6)

(UNLESS OTHERWISE SPECIFIED)  
ALL DIMENSIONS ARE IN INCHES  
DIMENSIONS IN PARENTHESES ARE IN MILLIMETERS  
FINISHES: 1.0000 2.0000 3.0000 4.0000  
TOLERANCES: 1.0000 2.0000 3.0000 4.0000  
LOCAL DIMENSIONS: 1.0000 2.0000 3.0000 4.0000  
**AMERICAN PINBALL** 1488 Yorkville Dr. Bensenville, IL 60107  
 DRAWING NO. **ASM0081-00** REV **B**  
 DWG. NO. **C** SCALE: 1:2 SHEET 1 OF 1  
 DRAWN BY: BJA

Dual Opto ASM0082-00

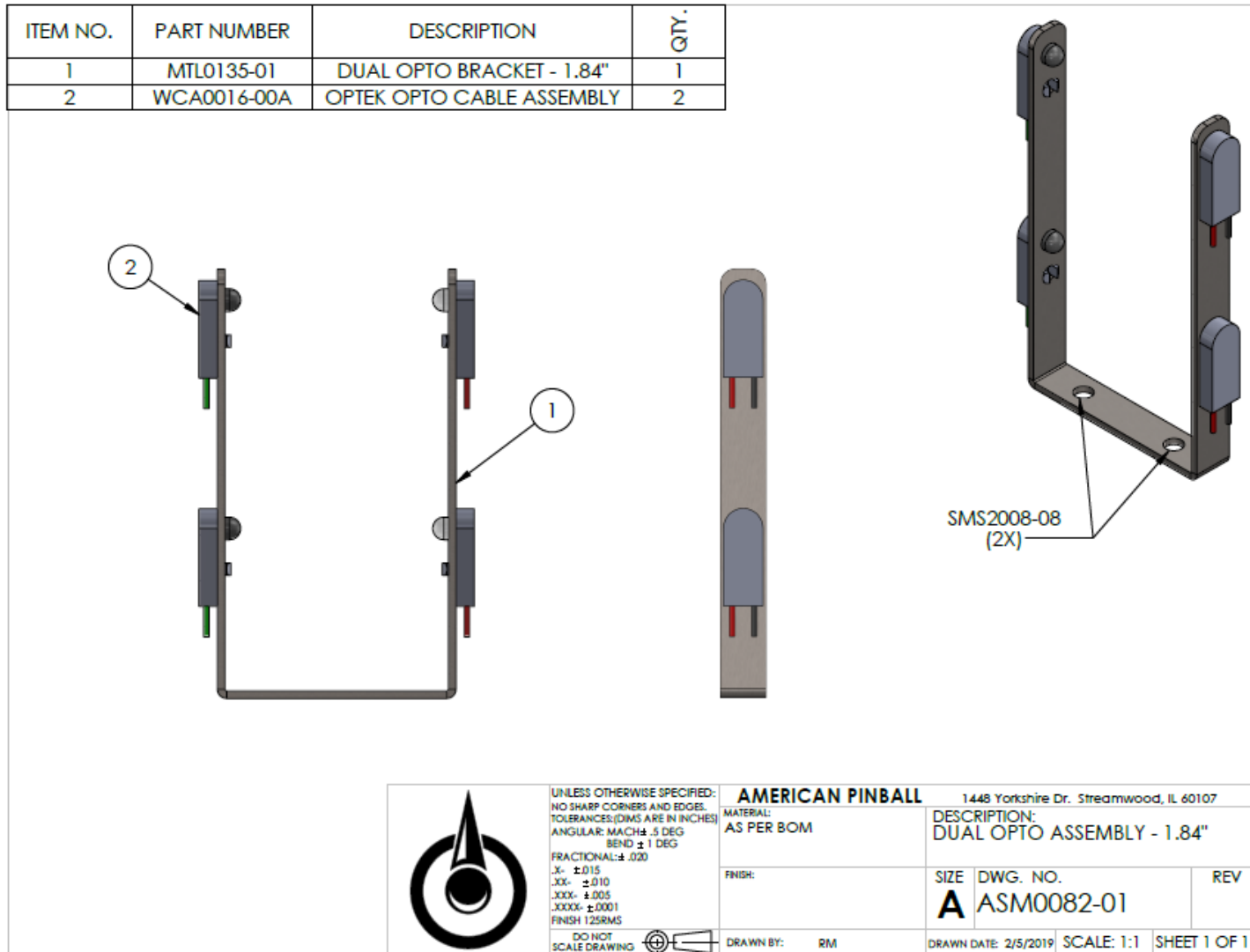
ITEM NO.	PART NUMBER	DESCRIPTION	QTY.
1	MTL0135-00	DUAL OPTO BRACKET - 2.79"	1
2	WCA0016-00A	OPTEK OPTO CABLE ASSEMBLY	2



	UNLESS OTHERWISE SPECIFIED: NO SHARP CORNERS AND EDGES. TOLERANCES:(DIM'S ARE IN INCHES) ANGULAR: MACH± .5 DEG BEND ± 1 DEG FRACTIONAL:± .020 .X- ±.015 .XX- ±.010 .XXX- ±.005 .XXXX- ±.0001 FINISH 125RMS		<b>AMERICAN PINBALL</b> 1448 Yorkshire Dr. Streamwood, IL 60107	
	MATERIAL: AS PER BOM		DESCRIPTION: DUAL OPTO ASSEMBLY - 2.79"	
FINISH:		SIZE <b>A</b>	DWG. NO. ASM0082-00	REV
DO NOT SCALE DRAWING		DRAWN BY: RM	DRAWN DATE: 2/5/2019	SCALE: 1:1 SHEET 1 OF 1

PROPRIETARY AND CONFIDENTIAL: THE INFORMATION CONTAINED IN THIS DRAWING IS THE SOLE PROPERTY OF AMERICAN PINBALL. ANY REPRODUCTION IN PART OR AS A WHOLE WITHOUT THE WRITTEN PERMISSION OF AMERICAN PINBALL IS PROHIBITED.

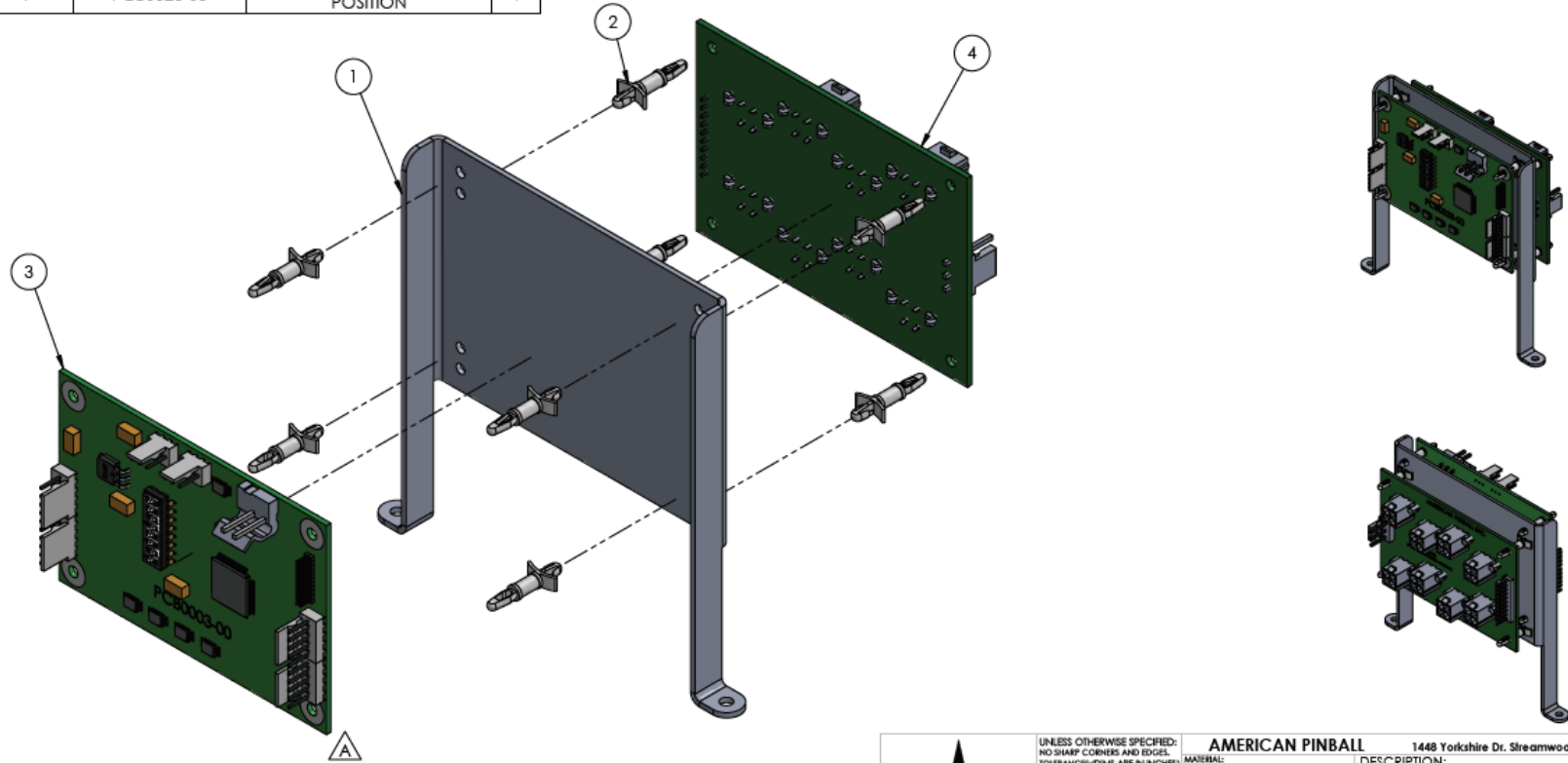
Dual Opto Narrow ASM0082-01



# Switch / Opto Board ASM0092-00A

ITEM NO.	PART NUMBER	DESCRIPTION	QTY.
1	MTL0075-00A	SWITCH DRIVER PCB MOUNTING BRACKET	1
2	PLS0023-00	LOCK IN BOARD STANDOFF .375 PCB BOARD MTG	8
3	PCB0003-00	SWITCH DRIVER PCB	1
4	PCB0026-00	OPTO INTERFACE BOARD - 8 POSITION	1

REVISIONS			
REV.	DESCRIPTION	DATE	APPROVED
A	FLIPPED ORIENTATION OF PCB0003-00 CHANGED SHEET SIZE FROM A TO B	1/25/2019	



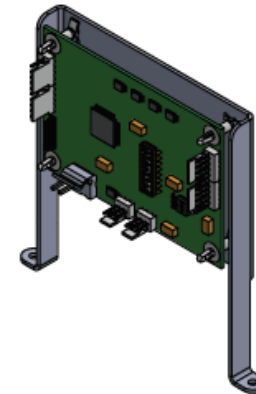
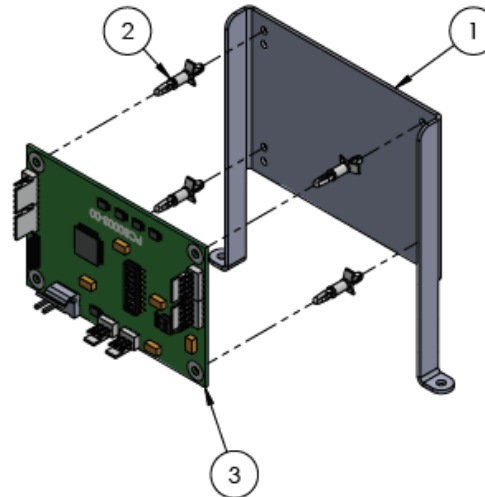
NOTE :  
USE SMS2006-08R (X2)  
FOR MOUNTING TO P/F

	UNLESS OTHERWISE SPECIFIED: NO SHARP CORNERS AND EDGES. TOLERANCES: DIMS ARE IN INCHES ANGULAR: MAX CHG. 5 DEG BEND ±1 DEG FRACTIONAL: ±.020 .X: ±.015 .XX: ±.010 .XXX: ±.005 .XXXX: ±.0001 FINISH 125RMS	<b>AMERICAN PINBALL</b> 1448 Yorkshire Dr. Streamwood, IL 60107	
	MATERIAL: AS PER BOM	DESCRIPTION: SWITCH/8 POSITION OPTO BOARD ASSEMBLY	SIZE <b>B</b>
FINISH:	DO NOT SCALE DRAWING	DRAWN BY: RM	REV <b>A</b>
		DRAWN DATE: 1/25/2019	SCALE: 1:2      SHEET 1 OF 1


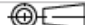
PROPRIETARY AND CONFIDENTIAL: THE INFORMATION CONTAINED IN THIS DRAWING IS THE SOLE PROPERTY OF AMERICAN PINBALL. ANY REPRODUCTION IN PART OR AS A WHOLE WITHOUT THE WRITTEN PERMISSION OF AMERICAN PINBALL IS PROHIBITED.

Single Switch Board ASM0095-00

ITEM NO.	PART NUMBER	DESCRIPTION	QTY.
1	MTL0075-00A	SWITCH DRIVER PCB MOUNTING BRACKET	1
2	PLS0023-00	LOCK IN BOARD STANDOFF .375 PCB BOARD MTG	4
3	PCB0003-00	SWITCH DRIVER PCB	1



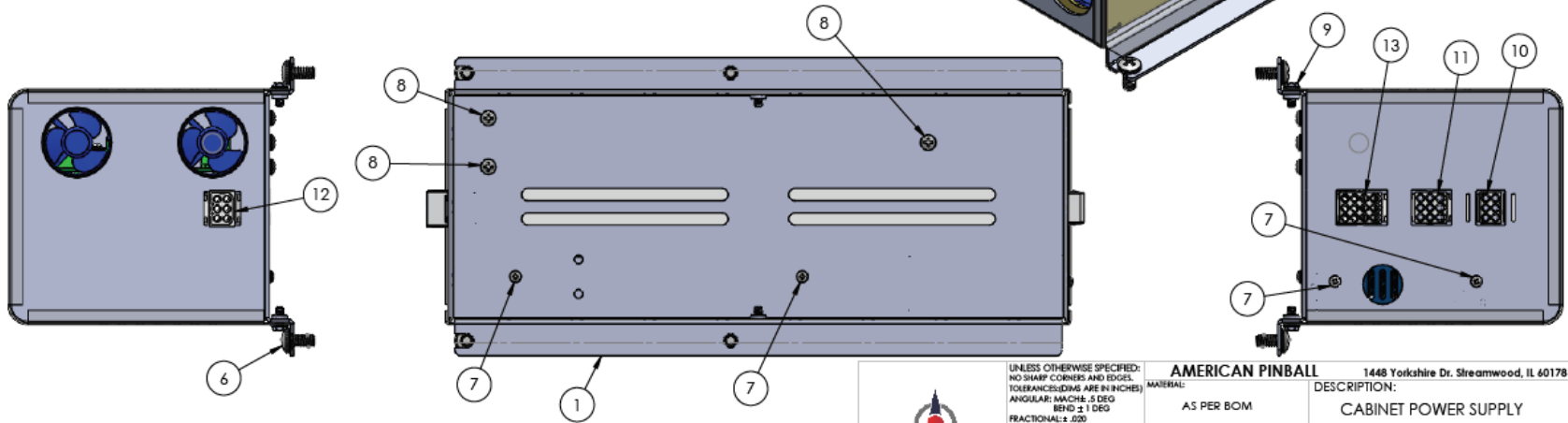
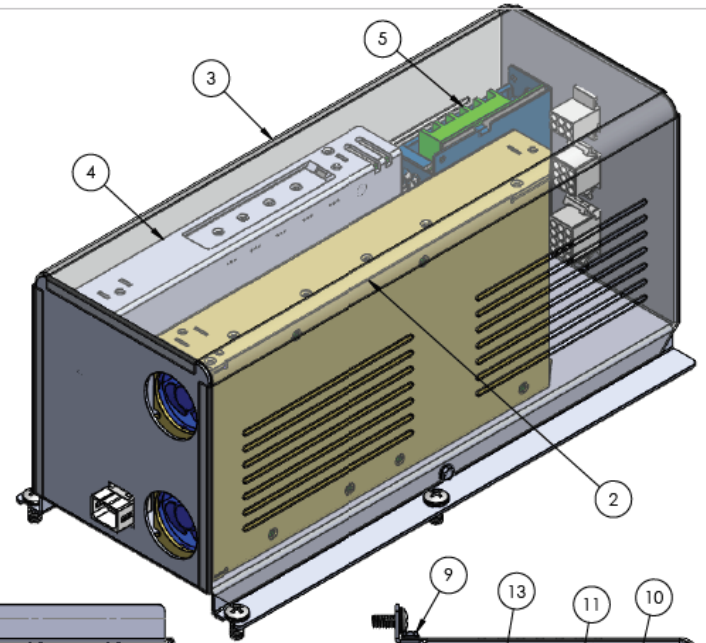
NOTES :  
USE SMS2006-08R (X2) FOR MOUNTING

	UNLESS OTHERWISE SPECIFIED: NO SHARP CORNERS AND EDGES. TOLERANCES:(DIM'S ARE IN INCHES) ANGULAR: MACH±.5 DEG BEND ± 1 DEG FRACTIONAL:±.020 .X- ±.015 .XX- ±.010 .XXX- ±.005 .XXXX- ±.0001 FINISH 125RMS	<b>AMERICAN PINBALL</b> MATERIAL: AS PER BOM FINISH:	1448 Yorkshire Dr. Streamwood, IL 60107 DESCRIPTION: SINGLE SWITCH BOARD ASSEMBLY SIZE DWG. NO. <b>A</b> ASM0095-00 REV
	DO NOT SCALE DRAWING 	DRAWN BY: RM	DRAWN DATE:12/27/2018 SCALE: 1:2 SHEET 1 OF 1

PROPRIETARY AND CONFIDENTIAL: THE INFORMATION CONTAINED IN THIS DRAWING IS THE SOLE PROPERTY OF AMERICAN PINBALL. ANY REPRODUCTION IN PART OR AS A WHOLE WITHOUT THE WRITTEN PERMISSION OF AMERICAN PINBALL IS PROHIBITED.

Power Supply ASM0096-00

ITEM NO.	PART NUMBER	DESCRIPTION	QTY.
1	MTL0158-00	POWER SUPPLY BASE	1
2	ELE0019-00	MEANWELL RSP-750-48	1
3	MTL0159-00	POWER SUPPLY COVER	1
4	ELE0018-00	MEANWELL LSR-150-12	1
5	ELE0017-00	MEANWELL LSR-50-5	1
6	MAS0025-08	1/4 - 20 X 1/2" PPH MS	4
7	MAS30MM-6M	M3 X 6MM PPH MS	4
8	MAS40MM-6M	M4 X 6MM PPH MS	3
9	MAS2008-06	8-32 X 3/8" HWH MS ZINC	2
10	003091061	MOLEX .093 6 PIN RECEPTACLE	1
11	003091091	MOLEX .093 9 PIN RECEPTACLE	1
12	003092061	MOLEX .093 6 PIN PLUG	1
13	003091125	MOLEX .093 12 PIN RECEPTACLE	1
14	WCA0051-00	POWER SUPPLY CABLE NOT SHOWN	1



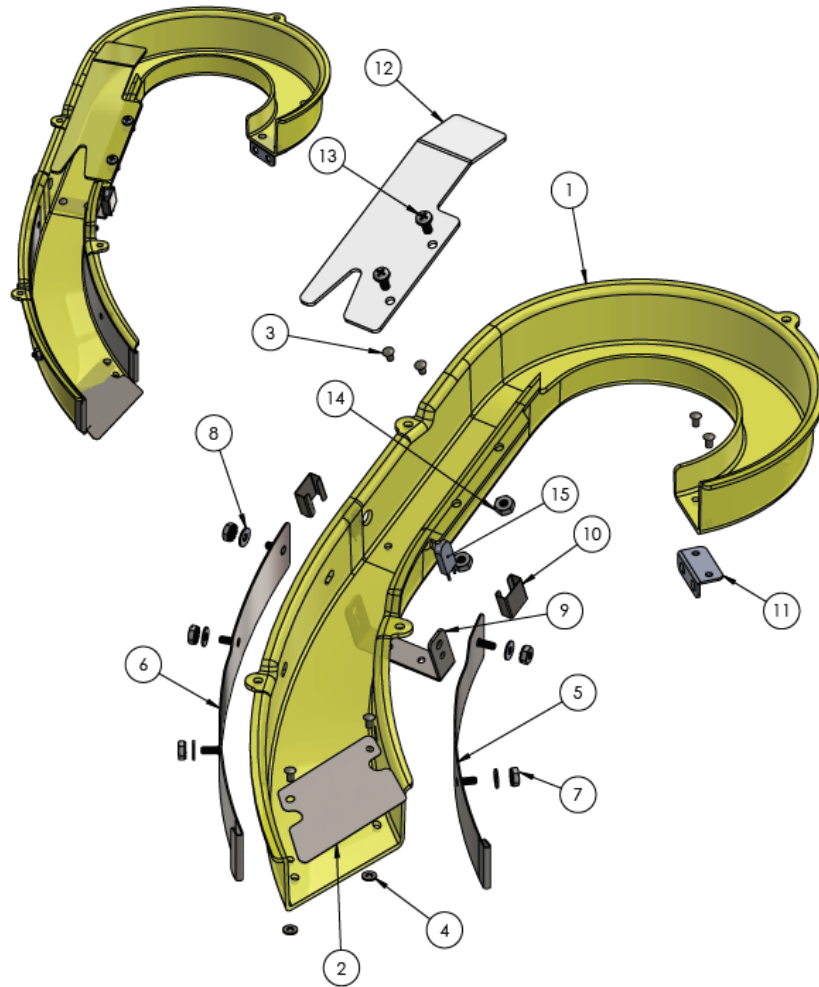
UNLESS OTHERWISE SPECIFIED:  
 NO SHARP CORNERS AND EDGES.  
 TOLERANCES (DIM. ARE IN INCHES)  
 ANGULAR: MAX CHG. 5 DEG  
 BEND ± 1 DEG  
 FRACTIONAL: ± .020  
 .125: ± .015  
 .300: ± .010  
 .5000: ± .005  
 .0000: ± .0001  
 FINISH 125RMS  
 DO NOT SCALE DRAWING

<b>AMERICAN PINBALL</b>		1448 Yorkshire Dr. Streamwood, IL 60178	
MATERIAL: AS PER BOM		DESCRIPTION: CABINET POWER SUPPLY	
FINISH:	SIZE: <b>B</b>	DWG. NO.: ASM0096-00	REV:
DRAWN BY: BH	DRAWN DATE: 8/12/18	SCALE: 1/2	SHEET 1 OF 1

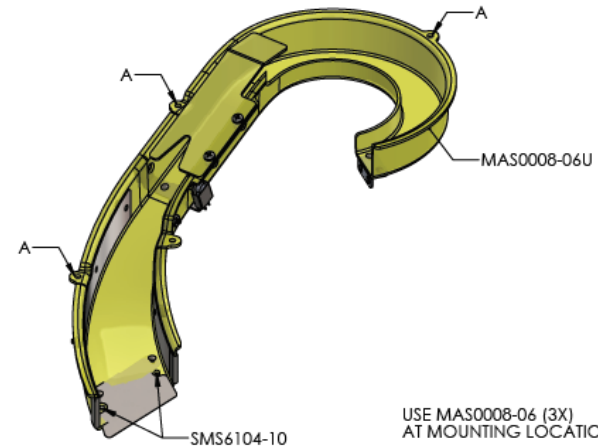
PROPRIETARY AND CONFIDENTIAL: THE INFORMATION CONTAINED IN THIS DRAWING IS THE SOLE PROPERTY OF AMERICAN PINBALL. ANY REPRODUCTION IN PART OR AS A WHOLE WITHOUT THE WRITTEN PERMISSION OF AMERICAN PINBALL IS PROHIBITED.




Plastic Ramp ASM0097-00



ITEM NO.	PART NUMBER	DESCRIPTION	QTY.
1	PLS0069-04A	BARTENDER RAMP	1
2	MTL0127-00	OF RAMP FLAP	1
3	SPC0005-02	1/8" X 7/32" LONG X 7/32" HEAD NICKEL RIVET	6
4	WAS0004-00	#4 FLAT WASHER	2
5	MTL0160-00B	OKTOBERFEST RAMP PROTECTOR - RIGHT	1
6	MTL0161-00B	RAMP PROTECTOR (LEFT)	1
7	NUT1006-00	6-32 KEPS NUT	5
8	WAS0006-00	#6 FLAT WASHER	5
9	MTL0033-00	RAMP OPTO BRACKET	1
10	MTL0097-00	OPTO RETAINER	2
11	MTL0092-00	WIRE RAMP EXIT PLATE	1
12	PLS0057-34E	RAMP DEFLECTOR PLATE	1
13	MAS0008-06	8-32 X 3/8" PPH MS ZINC	2
14	NUT0008-00	8-32 NYLON LOCKNUT - LOW PROFILE	2
15	WCA0016-00A	OPTEK OPTO CABLE ASSEMBLY	1



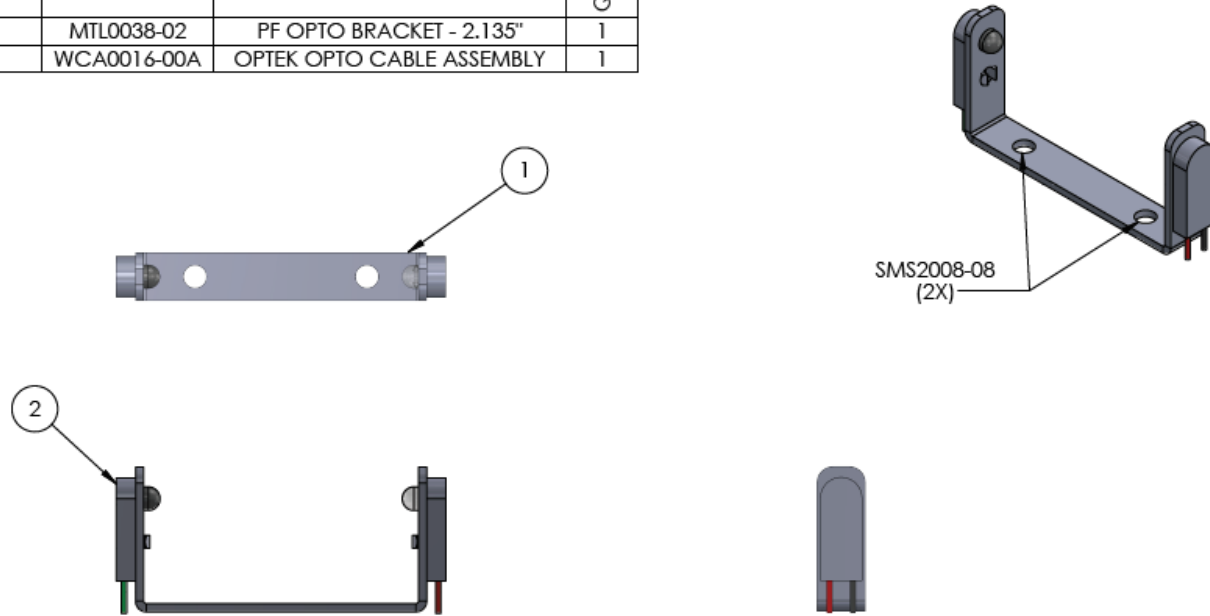
USE MAS0008-06 (3X)  
AT MOUNTING LOCATION 'A'

	UNLESS OTHERWISE SPECIFIED: NO SHARP CORNERS AND EDGES. TOLERANCES/DIMENSIONS ARE IN INCHES ANGULAR: MAX±.5 DEG BEND ± 1 DEG FRACTIONAL: ± .020 J: ±.015 JOK: ±.010 JOKK: ±.005 JOKKK: ±.0001 FINISH 125RMS DO NOT SCALE DRAWING	<b>AMERICAN PINBALL</b> MATERIAL: AS PER BOM FINISH: NONE	1448 Yorkshire Dr. Streamwood, IL 60107 DESCRIPTION: OKTOBERFEST PLASTIC RAMP ASSEMBLY SIZE DWG. NO. <b>B</b> ASM0097-00 REV
	DRAWN BY: RM DRAWN DATE: 6/17/2019 SCALE: 1:2 SHEET 1 OF 1		

PROPRIETARY AND CONFIDENTIAL: THE INFORMATION CONTAINED IN THIS DRAWING IS THE SOLE PROPERTY OF AMERICAN PINBALL. ANY REPRODUCTION IN PART OR AS A WHOLE WITHOUT THE WRITTEN PERMISSION OF AMERICAN PINBALL IS PROHIBITED.

Single Opto ASM0104-01

ITEM NO.	PART NUMBER	DESCRIPTION	QTY.
1	MTL0038-02	PF OPTO BRACKET - 2.135"	1
2	WCA0016-00A	OPTEK OPTO CABLE ASSEMBLY	1



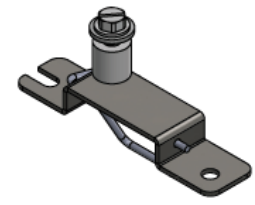
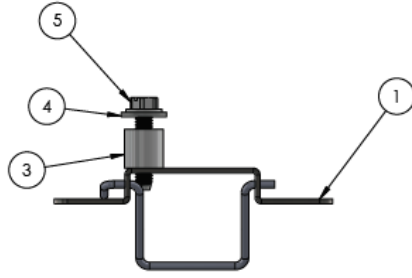
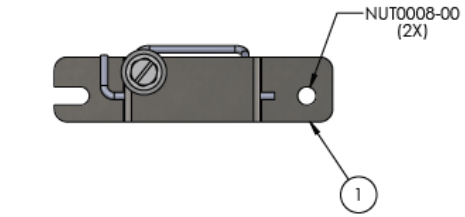
	UNLESS OTHERWISE SPECIFIED: NO SHARP CORNERS AND EDGES. TOLERANCES:(DIMENSIONS ARE IN INCHES) ANGULAR: MACH ± .5 DEG BEND ± 1 DEG FRACTIONAL: ± .020 .X ± .015 .XX ± .010 .XXX ± .005 .XXXX ± .001 FINISH 125RMS	<b>AMERICAN PINBALL</b> 1448 Yorkshire Dr. Streamwood, IL 60107		
	MATERIAL: AS PER BOM	DESCRIPTION: 2.135" PF OPTO ASSEMBLY		
	FINISH:	SIZE <b>A</b>	DWG. NO. ASM0104-01	REV
	DO NOT SCALE DRAWING	DRAWN BY: RM	DRAWN DATE: 2/5/2019	SCALE: 1:1 SHEET 1 OF 1

PROPRIETARY AND CONFIDENTIAL: THE INFORMATION CONTAINED IN THIS DRAWING IS THE SOLE PROPERTY OF AMERICAN PINBALL. ANY REPRODUCTION IN PART OR AS A WHOLE WITHOUT THE WRITTEN PERMISSION OF AMERICAN PINBALL IS PROHIBITED.


Wire Gate ASm0119-00A

ITEM NO.	PART NUMBER	DESCRIPTION	QTY.
1	MTL0166-00	G2 ONE WAY GATE BRACKET	1
2	WRF0007-00	ONE WAY GATE WIREFORM	1
3	PLS0079-00	3/8" NYLON SPACER - 3/8" OD, .177" ID	1
4	WAS0008-00	#8 FLAT WASHER	1
5	TFS2008-12	8-32 X 3/4" HWH MS ZINC SF THREAD FORMING SCREW	1

REVISIONS			
REV.	DESCRIPTION	DATE	APPROVED
A	ASSEMBLY REDRAWN ADDED PLASTIC SPACER	02/04/2019	




PLS0079-00, WAS0008-00 AND TFS2008-12 SHOWN FOR ILLUSTRATION PURPOSE. TO BE MOUNTED ON LEG OF WRP0004-01A

	UNLESS OTHERWISE SPECIFIED: NO SHARP CORNERS AND EDGES. TOLERANCES (DIMENSIONS ARE IN INCHES): ANGULAR: MAX ± .5 DEG HOLE: ± .010 FRACTIONAL: ± .005 DECIMAL: ± .001 FINISH: 125RMS DO NOT SCALE DRAWING	<b>AMERICAN PINBALL</b> MATERIAL: AS PER BOM FINISH: NONE DRAWN BY: RM	1448 Yorkshire Dr. Streamwood, IL 60107 DESCRIPTION: ONE WAY GATE ASSEMBLY SIZE: <b>B</b> DWG. NO.: ASM0119-00 DRAWN DATE: 2/4/2019 SCALE: 1:1	REV: <b>A</b> SHEET 1 OF 1
	PROPRIETARY AND CONFIDENTIAL: THE INFORMATION CONTAINED IN THIS DRAWING IS THE SOLE PROPERTY OF AMERICAN PINBALL. ANY REPRODUCTION IN PART OR AS A WHOLE WITHOUT THE WRITTEN PERMISSION OF AMERICAN PINBALL IS PROHIBITED.			

Bumper Ring ASM0152-00

ITEM NO.	PART NUMBER	DESCRIPTION	QTY.
1	MCH0012-00	BUMPER RING	1
2	MCH0013-00	BUMPER ROD	2
3	WAS0006-00	#6 FLAT WASHER	4
4	HEX0406-16	1/4" HEX SPACER X 1" 6-32 FEMALE TAPPED ENDS	2

SCALE 1:1



UNLESS OTHERWISE SPECIFIED:  
NO SHARP CORNERS AND EDGES.  
TOLERANCES:(DIM'S ARE IN INCHES)  
ANGULAR: MACH ± .5 DEG  
BEND ± 1 DEG  
FRACTIONAL: ± .020  
.X- ± .015  
.XX- ± .010  
.XXX- ± .005  
.XXXX- ± .0001  
FINISH 125RMS

DO NOT SCALE DRAWING

**AMERICAN PINBALL**

1448 Yorkshire Dr. Streamwood, IL 60107

MATERIAL:  
AS PER BOM

FINISH:

DESCRIPTION:  
OKTOBERFEST TOP BUMPER ASSEMBLY

SIZE DWG. NO.  
**A** ASM0152-00

REV

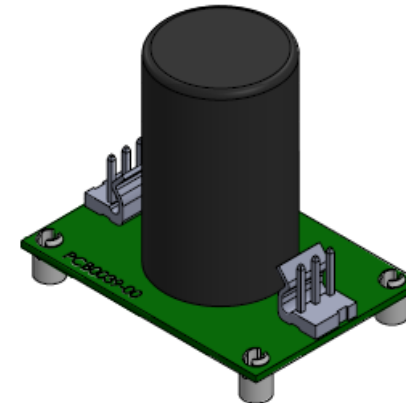
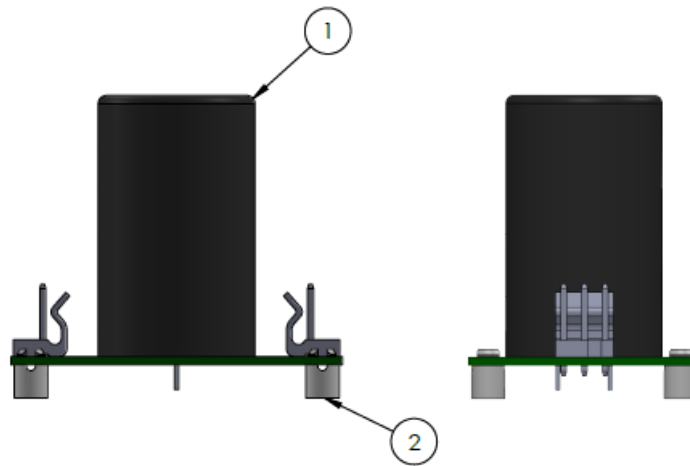
DRAWN BY: RM

DRAWN DATE:12/24/2018 SCALE: 1:2 SHEET 1 OF 1



PROPRIETARY AND CONFIDENTIAL: THE INFORMATION CONTAINED IN THIS DRAWING IS THE SOLE PROPERTY OF AMERICAN PINBALL. ANY REPRODUCTION IN PART OR AS A WHOLE WITHOUT THE WRITTEN PERMISSION OF AMERICAN PINBALL IS PROHIBITED.

48 Volt Filter Board ASM0155-00

ITEM NO.	PART NUMBER	DESCRIPTION	QTY.
1	PCB0039-00	48V DC FILTER BOARD	1
2	PLS0025-00	NYLON PCB SUPPORT #4X1/4"	4



NOTES :  
 1) USE SMS0004-10 FOR MOUNTING  
 2) WIRED WITH WCA0085-00

	UNLESS OTHERWISE SPECIFIED: NO SHARP CORNERS AND EDGES. TOLERANCES: (DIM'S ARE IN INCHES) ANGULAR: MATCH ± 5 DEG BEND ± 1 DEG FRACTIONAL: ± .020 .X- ±.015 .XX- ±.010 .XXX- ±.005 .XXXX- ±.0001 FINISH: 125RMS	<b>AMERICAN PINBALL</b>		1448 Yorkshire Dr. Streamwood, IL 60107
	MATERIAL: AS PER BOM	DESCRIPTION: 48V FILTER BOARD ASSEMBLY		
FINISH:	SIZE <b>A</b>	DWG. NO. ASM0155-00	REV	
DO NOT SCALE DRAWING 	DRAWN BY: RM	DRAWN DATE: 12/20/2018	SCALE: 1:1	SHEET 1 OF 1

PROPRIETARY AND CONFIDENTIAL: THE INFORMATION CONTAINED IN THIS DRAWING IS THE SOLE PROPERTY OF AMERICAN PINBALL. ANY REPRODUCTION IN PART OR AS A WHOLE WITHOUT THE WRITTEN PERMISSION OF AMERICAN PINBALL IS PROHIBITED.


Bartender Switch Plate ASM0160-00

ITEM NO.	PART NUMBER	DESCRIPTION	QTY.
1	MTL0168-00	BAR SWITCH PLATE	1
2	MSC0023-01	PLAYFIELD PLATE TAPE	1
3	WCA0083-00	BARTENDER SWITCH CABLE	1

NOTE 1:  
APPLY MSC0023-01  
ON BOTTOM SURFACE  
OF MTL0168-00 AS SHOWN

NOTE 2:  
PLATE MUST BE FLUSH WITH TOP PLAYFIELD SURFACE AFTER INSTALLATION  
PLAYFIELD ROUTING MAY VARY  
MAY REQUIRE MORE THAN 1 MSC0023-01

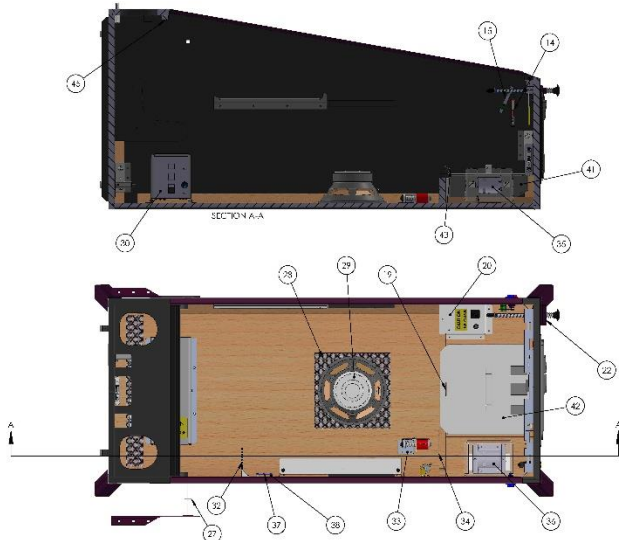
WCA0083-00  
TO BE SOLDERED  
HERE

	UNLESS OTHERWISE SPECIFIED: NO SHARP CORNERS AND EDGES. TOLERANCES: DIMS ARE IN INCHES ANGULAR: MACH ± .5 DEG HOLE ± .001 FRACTIONAL: ± .020 X/- ± .015 XX/- ± .010 XXX/- ± .005 XXXX/- ± .0001 FINISH 125RA/MG	<b>AMERICAN PINBALL</b> 1448 Yorkshire Dr. Streamwood, IL 60107 MATERIAL: AS PER BOM	DESCRIPTION: BARTENDER SWITCH PLATE ASSEMBLY
	DO NOT SCALE DRAWING	FINISH:	SIZE DWG. NO. <b>A</b> ASM0160-00
		DRAWN BY: RM	DRAWN DATE: 2/1/2019 SCALE: 1:1 SHEET 1 OF 1

PROPRIETARY AND CONFIDENTIAL: THE INFORMATION CONTAINED IN THIS DRAWING IS THE SOLE PROPERTY OF AMERICAN PINBALL. ANY REPRODUCTION IN PART OR AS A WHOLE WITHOUT THE WRITTEN PERMISSION OF AMERICAN PINBALL IS PROHIBITED.

# Cabinet

ITEM NO.	PART NUMBER	DESCRIPTION	QTY.
	W000001-01	CYLINDER, TYPICAL CABINET	1
2	M100074-02	CABINET PROTECTOR, LEG BRACKET	4
3	M100064-02	LEG MOUNTING PLATE	4
7	M100094-02	UNIVERSAL VERMID DRILL	2
5	P150009-00	CABINET TRAY 24 ASS CHAIR	1
6	MT-2004-00D	M1000420-R CHM CABINET SLIDE PIVOT BENT	1
7	MT-2004-01D	M1000420-L CHM CABINET SLIDE PIVOT BENT	1
9	M100029-01	CABINET SWITCH, BROWN, 20A	1
9	M100029-02	INTERLOCK SWITCH, 28 C.A. (E200ACGL) 10A 1/2" - FULL 187 x .000 TERM.	1
10	SW00004-00	3 POSITION ON/OFF LOCKING, BULL-ON SWITCH	1
11	SW00006-01	FLAT SWITCH, MEDIUM, YELLOW	1
12	P150011-06	1 P. PWR ON-R UP	2
13	P150011-02	FLIPPER SWITCH - RED	1
14	SW00009-00	FLIPPER SWITCH - 1/2" EJECT FAST	2
15	SW00009-01	1/2" SL SWITCH DOUBLE CONTACT	1
15	P150011-00A	HAIR CONTROL CONTROL BOX 20 20 20 W/RED	1
17	ASM0009-01	CABINET T-1 ASSEMBLY	1
18	ASM0009-00	CABINET T-1 ASSEMBLY	1
19	M100095-00	CABINET LOCK BRACKET	1
20	ASM0007-00	CABINET POWER SUPPLY ASSEMBLY	1
21	P150005-00	SPRING LOADED LOCK LATCH	1
22	ASM0008-00RC	BALL BEARING ASSEMBLY, ON/OFF ON/ROSE CASE #11 13	1
25	M100070-01RC	CABINET ROSE ASSEMBLY, LEFT ROSE CASE #11 B	1
24	M100046-02 RC	CABINET SET- A W/O 2 CHM 2 R LATCH ROSE CASE # 11B	1
25	M100046-03 RC	BACKBOX INSOLE - R CHM 2 ROSE CASE #11 B	1
26	M100046-01 RC	BACKBOX INSOLE - LEFT ROSE CASE # 11B	1
27	P150007-28	INSOLE WASHER PLATING	2
28	M100101-02	SPEAKER GRILL	1
29	P150010-00	SUSPENSION POINT CONE - 4 CHM	1
30	ASM0006-02A	CABINET POWER SUPPLY	1
45	PC10036-01	SACK BOX (F) BOARD	1
52	P150012-00	2.5" CUBIC ADDER	1
55	ASM0005-00	APRIL LOCKER ASSEMBLY	1
34	M10009-02	LOCKER PLATE	1
35	ASM0002-00	SHARPER MOTOR ASSEMBLY	1
36	P150009-00	SHARPER MOTOR COUPLER	1
37	PC10035-00	STEPPER MOTOR PCB BOARD	1
36	P150010-00	W/ON FOR SUPPORT W/ X 1/2"	4
39	M100045-01	CONSOLE LEG, ROSE CASE #11 D	4
40	M100005-00	2.75" EJECTOR	4
41	P150013-00	BLACK ALUMINUM CABINET BOX	1
42	M100007-00	2.5" EJECTOR USA	1
45	WER0005-00	HAIR PIN CLIP	1
44	P150002-00	CABINET LEVER ASSEMBLY	1




**AMERICAN PINBALL** 1460 York Ave. St. Louis, MO 63102  
 1-800-541-7777  
 WWW.AMERICANPINBALL.COM  
 © 2010 American Pinball, Inc. All rights reserved.

REV	DESCRIPTION	DATE
D	LA0006-00	06/10/10

