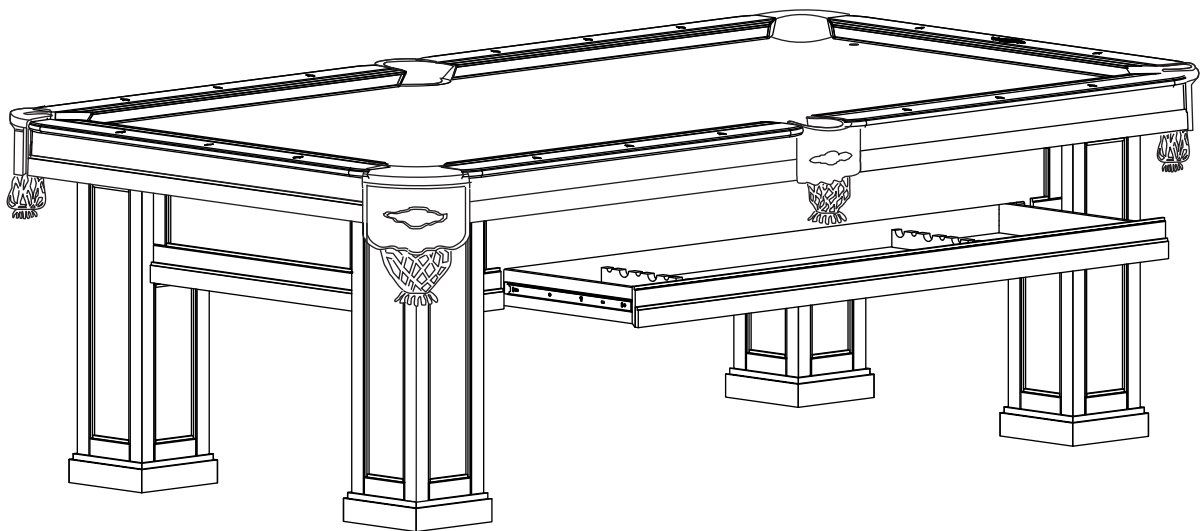


# Oakland<sup>TM</sup> II

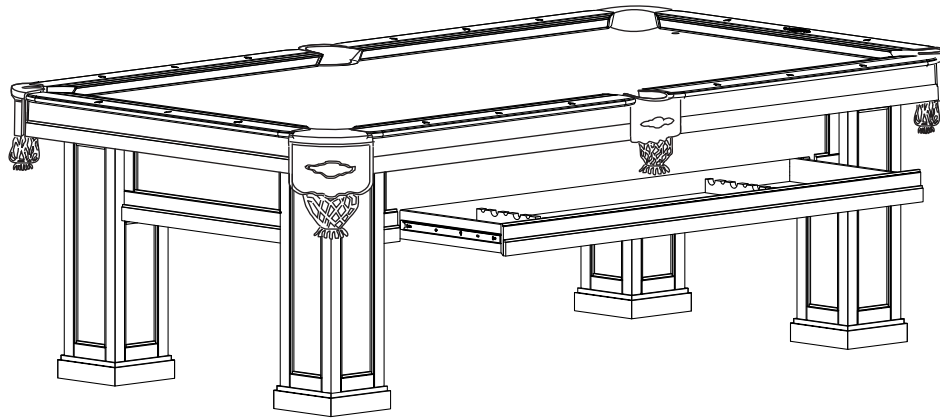


## POCKET BILLIARD TABLE INSTALLATION MANUAL



[www.brunswickbilliards.com](http://www.brunswickbilliards.com)  
SERVICE DEPARTMENT P.O. BOX 68 BRISTOL, WI 53104  
EMAIL: [BRUNSWICKSERVICE@BRUNSWICKBILLIARDS.COM](mailto:BRUNSWICKSERVICE@BRUNSWICKBILLIARDS.COM)

NOTE: Please use the instructions in this manual to assemble the table shown below. Illustrations may differ depending on the table being assembled. Also note that careful handling of *all* components will assure damage-free assembly.



# LEG AND BASEFRAME ASSEMBLY

OAKLAND II

FIGURE ONE

*Step #1:* Set the four legs upright in the approximate location of the table. Insert 3/8-16 x 3" hex head cap screw with 3/8" washer inside the leg projecting to the outside.

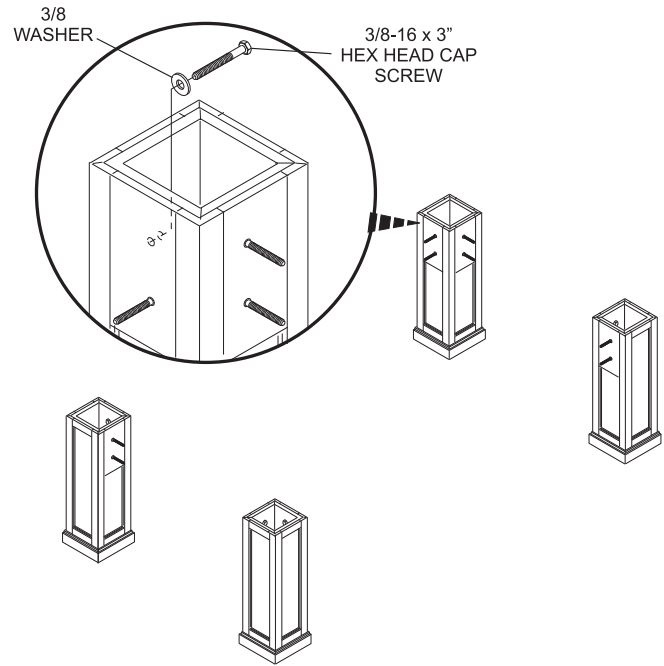


FIGURE ONE

FIGURE TWO

*Step #2:* Place end sill into position by sliding the hex head screws through the clearance holes of the sill cleats. Loosely attach with 3/8 hex nut and 3/8 washer.

*Step #3:* Continue attaching both end sills and two side sills.

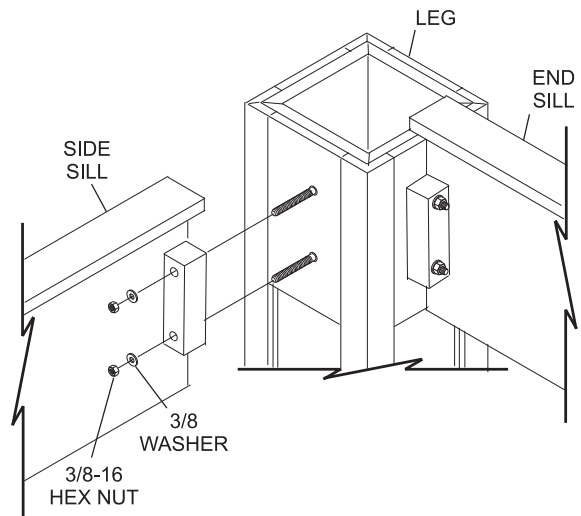


FIGURE TWO



# LEG AND BASEFRAME ASSEMBLY (CONTINUED)

OAKLAND II

FIGURE THREE

*Step #4:* Set the cross supports into position. Make sure that they do not set above the side sill. It may require shaving wood off the bottom of the cross support.

*Step #5:* Loosely attach the cross supports with 3/8-16 x 3-1/2" hex head cap screws, two 3/8 washers and 3/8-16 hex nuts.

*Step #6:* Position the baseframe in its permanent location with sides and ends at least 60" away from walls or obstructions.

*Step #7:* Square the table by measuring diagonally, adjust if necessary by pushing at the end of the baseframe diagonally until measurements are within 1/8".

*Step #8:* Tighten all hardware securely.

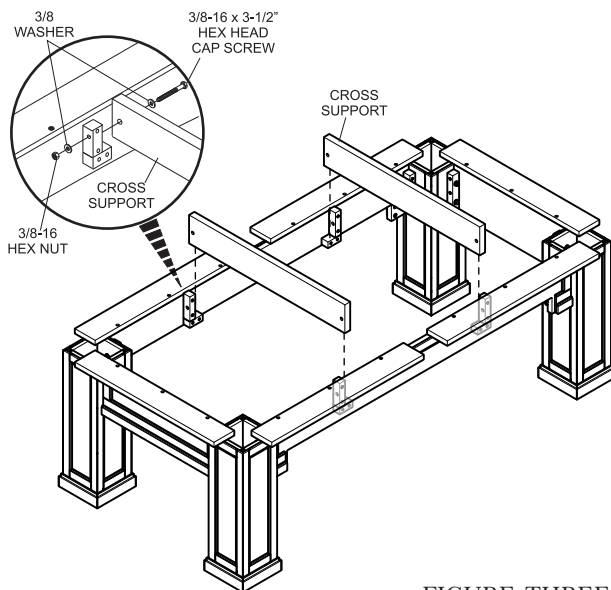


FIGURE THREE

FIGURE FOUR

*Step #9:* Attach the two drawer side runners to the interior of the end leg posts, using the 5/16-18 x 1.75" hex head bolts and 5/16 flat washers.

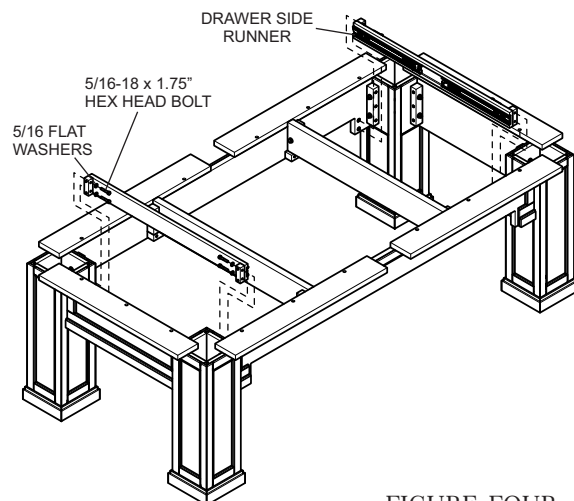


FIGURE FOUR

FIGURE FIVE

*Step #10:* Install the two drawer assemblies into the runners.

*NOTE:* Use two people to install the drawers to ensure damage free installation.

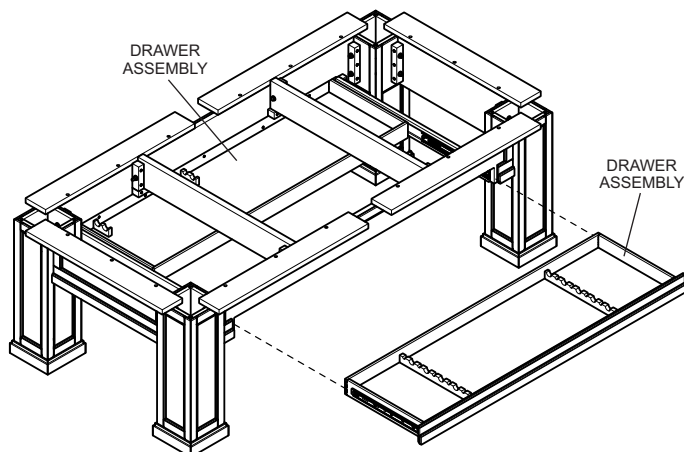


FIGURE FIVE



# SLATE ASSEMBLY AND LEVELING

OAKLAND II

*IMPORTANT: Prior to installing the slate, it is important to level the baseframe.*

FIGURE ONE

*Step #1:* With a carpenter's level, locate the highest corner of the baseframe. Level the base frame by positioning shims (supplied with table) underneath the other three legs as necessary.

*Step #2:* Be sure that the top surfaces are absolutely flush. Add shims or remove wood as necessary to accomplish this.

*Step #3:* With the baseframe level and carefully positioned in its permanent location, place the center section of slate on the table. Be sure that the center section is precisely square with the frame and an equal amount of overhang exists on both sides of the table.

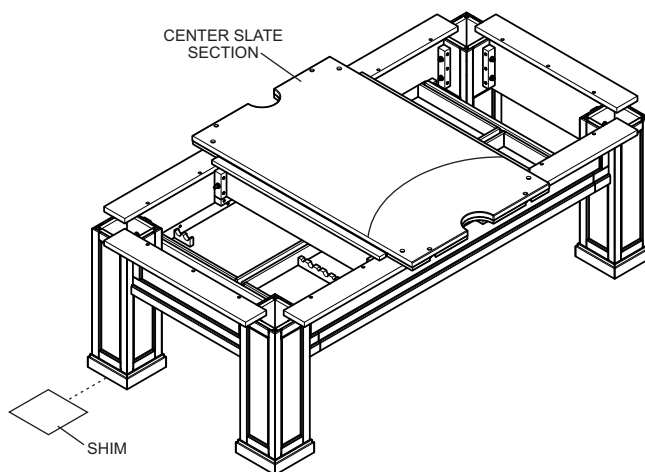


FIGURE ONE

FIGURE TWO

*Step #4:* Position the two end slate sections on the baseframe as shown in Figure 2. Be sure that the penciled arc forms a radius as shown in Figure 2.

*Step #5:* Recheck to be sure that the slate has an equal amount of overhang around the baseframe.

*Step #6:* Using the twelve (12) countersink holes in the slate as a template, pilot drill 5/32" diameter holes into the mounting cleats.

*Step #7:* Securely fasten the end slate section at both ends of the table. Proceed with leveling and slate installation.

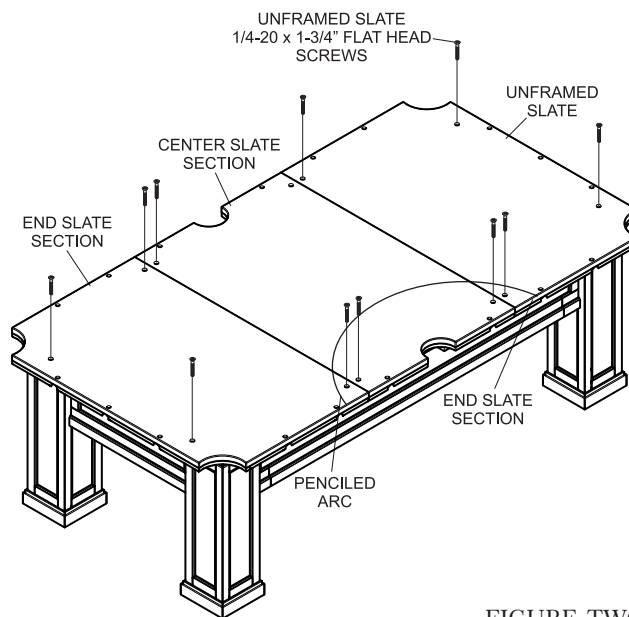


FIGURE TWO



# SLATE ASSEMBLY AND LEVELING (CONTINUED)

FIGURE THREE

*Step #8:* With a precision level, level each end slate section by driving wooden slate wedges (provided) between the top of the baseframe and bottom of the slate. Keep the wedges as close to the countersunk holes as possible.

*Step #9:* With both end slates perfectly level, continue fastening the end slates at the joints. Recheck for levelness and if necessary, back the screws out and adjust the shim position, then retighten the slate attaching screws.

*Step #10:* When satisfied that both end slates are level, shim the center slate section as required to obtain a flush fit at both joints, then screw the center slate down.

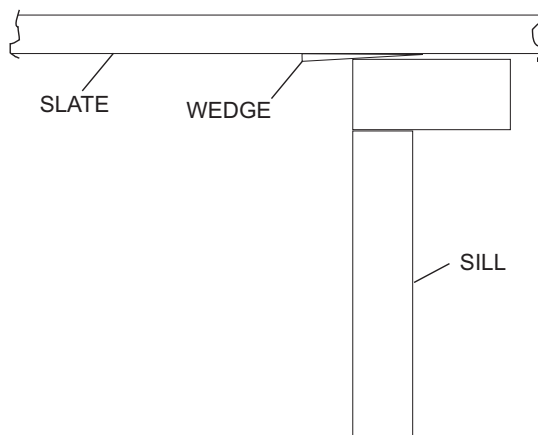


FIGURE THREE

FIGURE FOUR

*Step #11:* Slate joints can now be filled with fast setting rock hard putty. Lightly sand or scrape across joint after grouting.

*Step #12:* From the end of a bed cloth, cut strips of cloth approximately 1-1/2" wide by approximately 8" long and glue the strips to the pocket cutouts (3m Super 77 is recommended for this step). This is important as this will provide cushioning from ball impact and the bed cloth will last much longer.

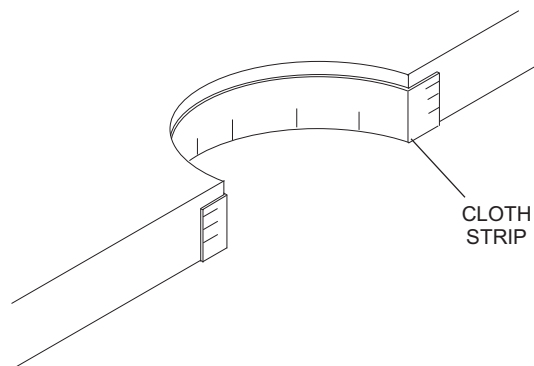


FIGURE FOUR



# ATTACHING BILLIARD CLOTH TO UNFRAMED SLATE

OAKLAND II

Before attaching the billiard cloth, clean slate thoroughly.

FIGURE ONE

*Step #1:* Lay the bed cloth over the top of the slate, nap side up. Leave an equal amount of cloth overhang at the ends and sides of the slate.

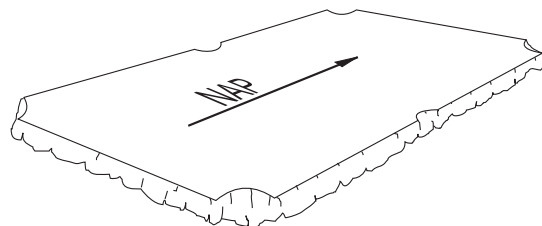
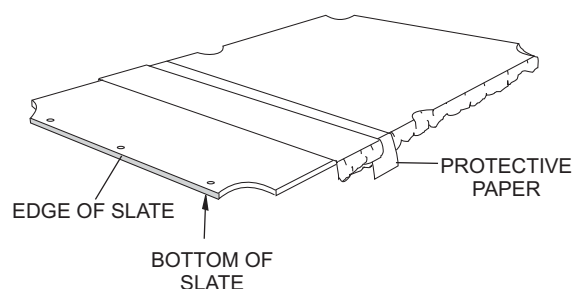


FIGURE ONE

FIGURE TWO

*Step #2:* At the head end of the table, fold the cloth back away from the edge of the slate and spray a coat of contact adhesive (not included) as indicated by the shaded area of the edge of the slate. Hold the can approximately 4-8" from the area to be coated. Coat the underside of the slate also. Place a piece of protective paper or card board on the top surface of the cloth.



**CAUTION:** Do not allow any adhesive to get on the top surface of the cloth.

FIGURE TWO

FIGURE THREE

*Step #3:* Attach the cloth at #1.

*Step #4:* Stretch the cloth across the table at #2. Fold the cloth overhang underneath the edge of the slate at the end.

*Step #5:* Fold the cloth back at the foot end of the table and repeat Step 1.

*Step #6:* Stretch the cloth from #1 to #3 and press into position.

*Step #7:* Stretch the cloth #3 to #4, pulling from #1 and #2. Press into place.

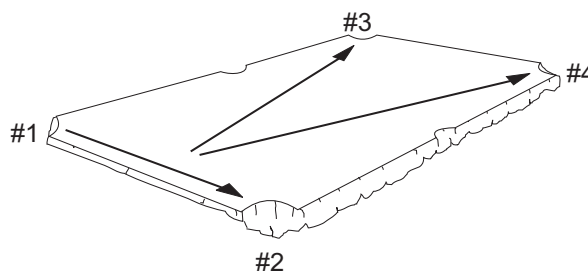


FIGURE THREE



# ATTACHING BED CLOTH TO FRAMED SLATE

OAKLAND II

Before attaching the billiard cloth, clean slate thoroughly.

## FIGURE ONE

*Step #1:* Lay the bed cloth over the top of the slate, nap side up, with the nap running from the head end to the foot end of the table.

**NOTE:** In determining the direction of the nap, run your hand lightly over the surface of the cloth. If it meets resistance, it is going against the nap.

*Step #2:* Leave only enough cloth overhang at the head end and left side to permit tacking into the wood slate frame. Leave the balance of cloth overhang at the foot end and right side.

**NOTE:** Do not spread tacks on the bed cloth. Keep them in a container that slides over the cloth.

*Step #3:* Tack or staple the cloth securely to the wood frame at #1 with two tacks or staples approximately 2" apart.

*Step #4:* Stretch the cloth across the table and tack or staple securely at #2 with two tacks or staples 2" apart.

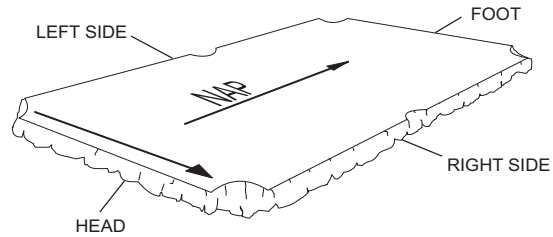


FIGURE ONE

## FIGURE TWO

*Step #5:* Stretch the cloth from #1 to #3 and tack or staple securely into the wood frame at the left side of the table. See Figure B.

*Step #6:* Stretching the cloth across the table from #3 and pulling from #2, tack or staple the cloth at #4.

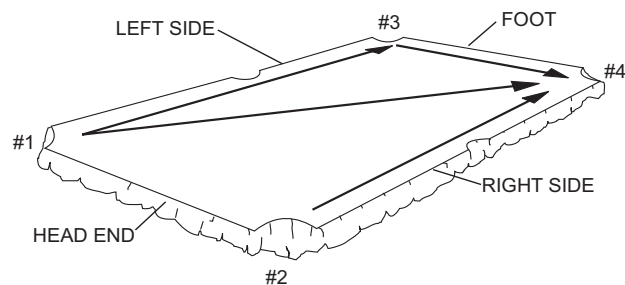


FIGURE TWO

## FIGURE THREE

*Step #7:* On the left side, stretch the cloth tightly from #1 toward the side pocket opening and tack or staple securely at #5.

*Step #8:* Repeat Step 5, stretching the cloth from #3 and tacking or stapling at #6.

*Step #9:* On the right side of the table, grasp the cloth firmly and stretch across the table from #5 and toward the side pocket from #2 and tack or staple at #7.

*Step #10:* Repeat Step 7, stretching from #6 and toward the side pocket from #4 and tack or staple at #8.

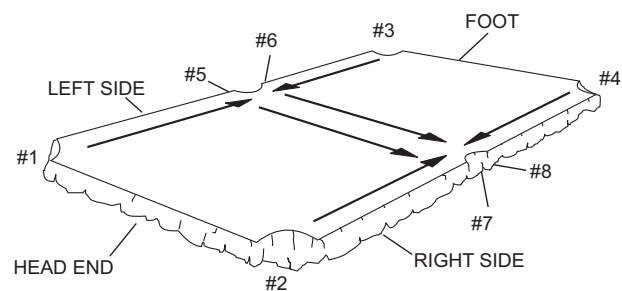


FIGURE THREE





# ATTACHING BED CLOTH TO FRAMED SLATE (CONTINUED)

OAKLAND II

FIGURE FOUR

*Step #11:* At location #9, cut a short slit in the cloth at the edge centered on the side pocket opening. Grasp the cloth firmly above this slit, pull the cloth into the side pocket opening and tack or staple to the wood frame. Complete fastening of the cloth to the side pocket opening, making sure the cloth is tacked or stapled to the wood frame.

*Step #12:* Stretching the cloth tightly across the table from location #9, repeat Step 11 at location #10.

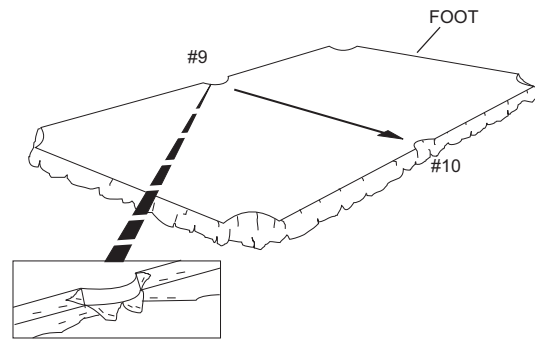


FIGURE FOUR

FIGURE FIVE

*Step #13:* At the head end of the table, tack or staple the cloth at location #11, maintaining uniform overhang.

*Step #14:* Pull the cloth from location #11 toward location #12 and tack or staple securely along the wood frame, keeping the cloth even along the head end.

*Step #15:* Stretch the cloth firmly from location #11 to the foot end of the table and tack or staple at location #13.

*Step #16:* Stretch the cloth tightly from locations #12 and #13 toward location #14 and tack or staple securely along the wood slate frame.

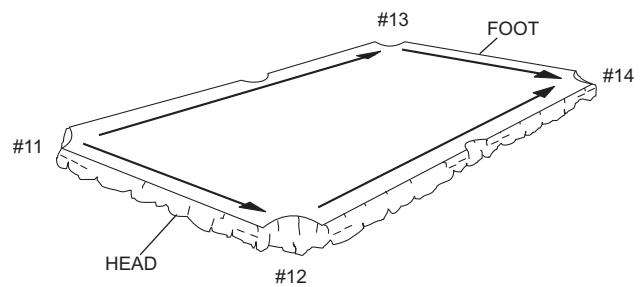


FIGURE FIVE

FIGURE SIX

*Step #17:* Tack or staple all of the left side on 2" centers keeping the cloth even along the wood frame.

*Step #18:* Tack or staple the balance of the head end on 2" centers also keeping the cloth even along the wood frame.

*Step #19:* Stretch the cloth tightly toward the foot end of the table, tacking or stapling on 2" centers along the wood frame at the foot end.

*Step #20:* Stretch the cloth tightly across the table to the right side, tacking or stapling on 2" centers all the way along the wood frame at the right side.

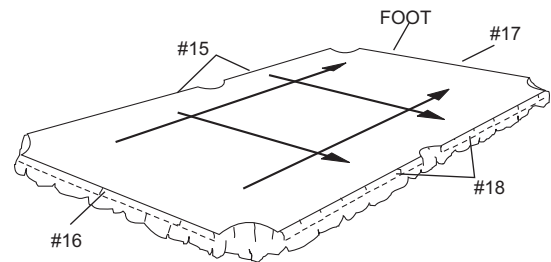


FIGURE SIX

FIGURE SEVEN

*Step #21:* Stretch the cloth into the corner pocket openings and tack or staple to the wood slate frame.

*Step #22:* Trim off excess cloth around the perimeter of the slate. Locate the eighteen (18) rail attach holes and cut clearance holes in the cloth with a sharp knife.

**NOTE:** Occasionally cloth will stretch, leaving wrinkles at the pockets. To retighten, remove apron, one end rail and one side rail. Pull cloth taut, and retack or restaple along the open end and side to restore original tightness.

CUT HOLES IN CLOTH AT  
RAIL BOTH LOCATIONS

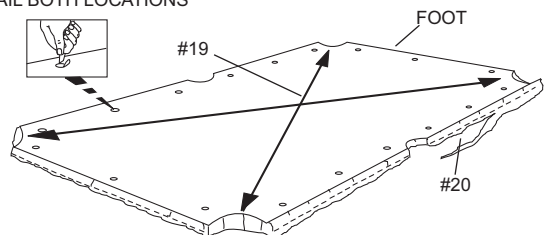


FIGURE SEVEN

# ATTACHING RAIL CLOTH

OAKLAND II

## CORNER POCKET FIGURE ONE

*Step #1:* Place cloth on rail with the back side down. The cloth should have equal amount of overhang at both ends of rail and extend 1/2" over the featherstrip groove on the cushion side as shown.

*Step #2:* Except for approximately 3" at end of rail, tap featherstrip down with a tapping block and hammer, starting at center of rail. Stretch cloth tightly toward each end of rail and tap featherstrip down.

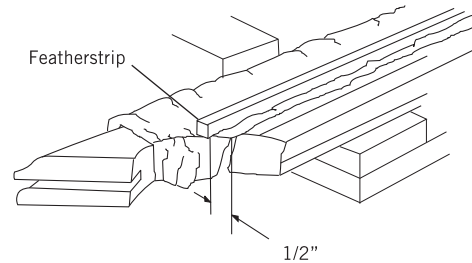


FIGURE ONE

## FIGURE TWO

*Step #3:* At each end of rail, pull the cloth toward the rubber cushion an additional 3/4". Then tap remainder of featherstrip down.

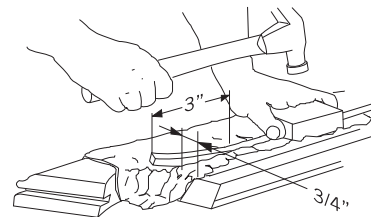


FIGURE TWO

## FIGURE THREE

*Step #4:* Trim the cloth on cushion side of featherstrip along the total length of featherstrip as illustrated.

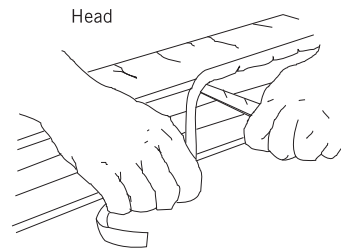


FIGURE THREE

## FIGURE FOUR

*Step #5:* Fold the cloth down over front of rail, then using thumb and forefinger as a guide along front edge of the cushion to keep the tapping block at rear edge of featherstrip, tap the featherstrip down flush with rail surface as shown.

**NOTE:** Never try to tap a featherstrip flush with just a hammer as you will surely dent the rail surface behind the featherstrip.

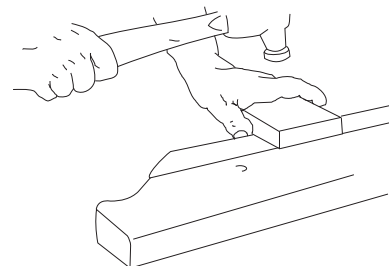


FIGURE FOUR

## FIGURE FIVE

*Step #6:* Turn rail over and at corner pockets fold the cloth over the mitred edge as shown, stretching tightly and working out any wrinkles as you staple three places in area shown.

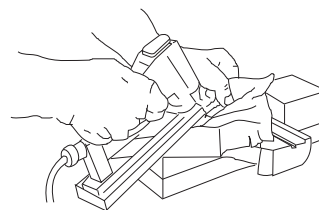


FIGURE FIVE

# ATTACHING RAIL CLOTH (CONTINUED)

OAKLAND II

FIGURE SIX

*Step #7:* Staple three places along the rear edge of the pocket facing (X in FIGURE SIX), then trim off excess cloth at pocket area.

*Step #8:* If rail is an end rail, repeat Step 7 at other corner pocket. Then, starting at center of rails, stretch cloth tightly over cushion and staple at bottom of rail working toward each end.

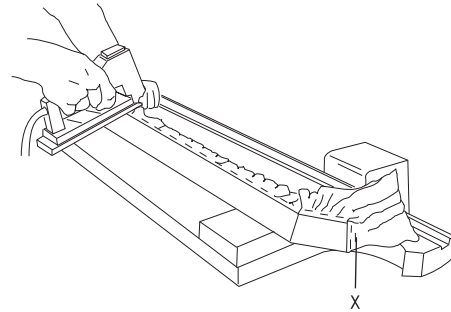


FIGURE SIX

FIGURE SEVEN

*Step #9:* Trim excess cloth from bottom of rail flush with edge of cloth relief groove.

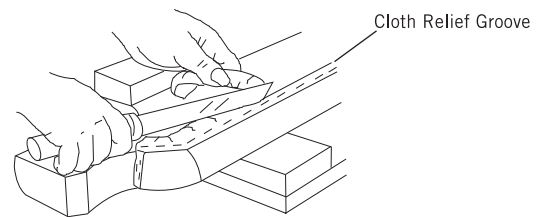


FIGURE SEVEN

## SIDE POCKET FIGURE EIGHT

*Step #10:* At side pocket, stretch the cloth tightly over nose of cushion and staple three places as shown.

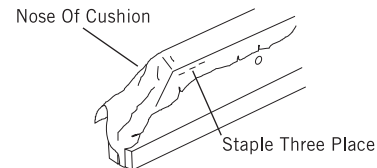


FIGURE EIGHT

FIGURE NINE

*Step #11:* Slit the cloth up to the edge of cushion nose as shown. Then firmly pull the small strip to the rear of the cushion and staple at rear of facing.

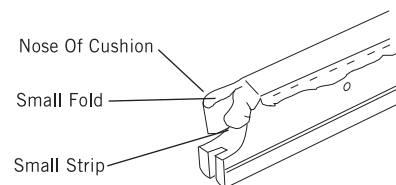


FIGURE NINE

FIGURE TEN

*Step #12:* Hold the small fold in place with thumb and forefinger and firmly hold it down over facing. Then staple at rear of facing and at bottom of rail as shown.

*Step #13:* Trim excess cloth as required.

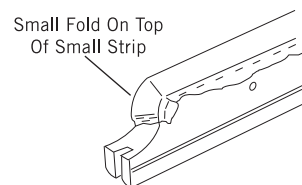


FIGURE TEN

# RAIL ASSEMBLY

OAKLAND II

FIGURE ONE

*Step #1:* Position rails upside down on a protected surface in their respective locations.

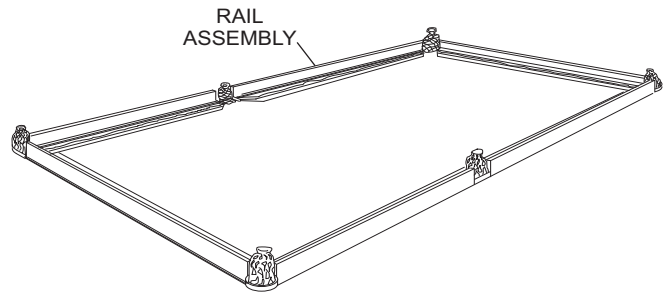


FIGURE ONE

FIGURE TWO

*Step #2:* Insert stud of pocket iron into the end of the rail as shown. Press in tightly against the end on the rail while threading a 5/16-18 x 1" hex head bolt with washer into the threaded hole in the stud. Tighten securely.

*Step #3:* Repeat above procedure with the remaining five pockets.

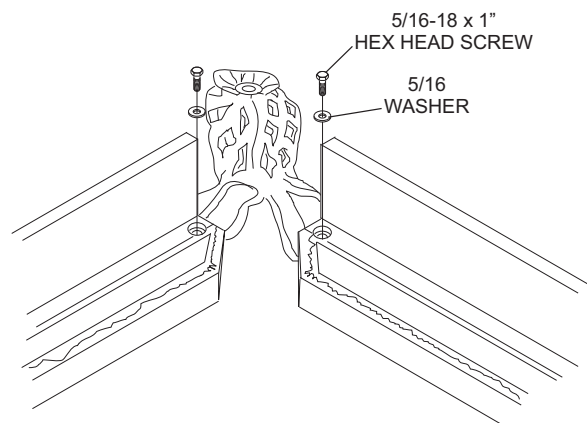


FIGURE TWO

FIGURE THREE

*Step #4:* Thread a machine stud into the three locations of each rail as shown.

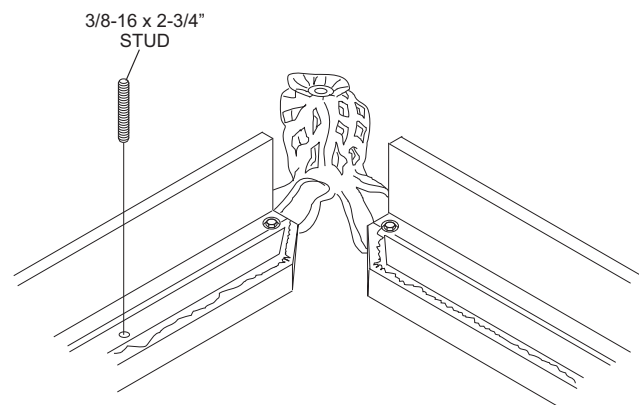


FIGURE THREE



# APRON ASSEMBLY

OAKLAND II

FIGURE ONE

*Step #1.* With rail assembly remaining upside down, position the apron brackets into the groove with the word "FRONT" facing away from the rail. Place each bracket approximately 3 - 4" from each end of the rail. With the brackets firmly seated in the bottom of the groove, attach them to the back of the rail core with #6 x 3/4" flat head screws.

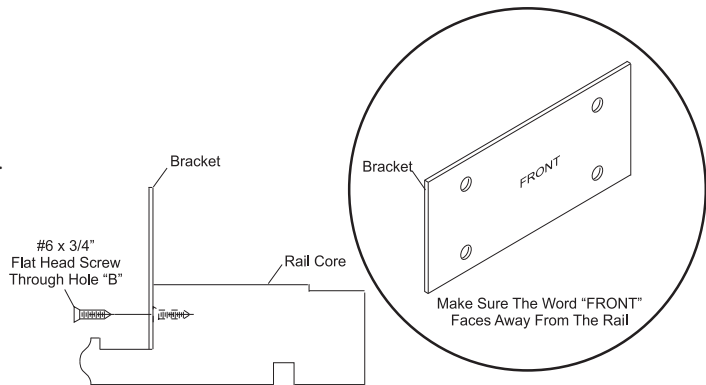


FIGURE ONE

FIGURE TWO

*Step #2.* Position the aprons into the grooves so the ends of apron and rails are even. Make sure the top of the apron is seated against the bottom of the rail groove. Attach the brackets to the back of the apron with #8 x 1/2" pan head screws.

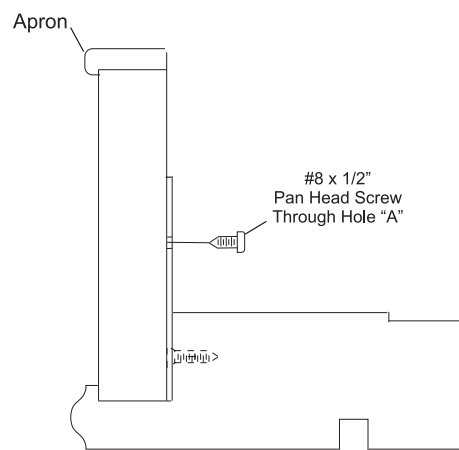


FIGURE TWO

FIGURE THREE

*Step #3:* Align the eighteen machine studs with the eighteen clearance through the slate and lower the assembly onto the slate.

*Step #4:* Thread the 3/8-16 hex nut and dome washer onto the machine stud (three places) at the ends of the table and tighten securely.

*Step #5:* Making sure that the side rails are in a straight line as sighted down the length of the table (cushion side), fasten the side rails securely with remaining nuts and dome washers.

*Step #6:* Attach pocket tabs to underside of slate frame pad with nails, or 1/2" staples.

*Step #7:* Thoroughly brush the area on which the bed spots are to be applied. Position the bed spot and firmly roll a ball over the spot to achieve good adhesion.

**NOTE:** Bed spots are self adhesive.

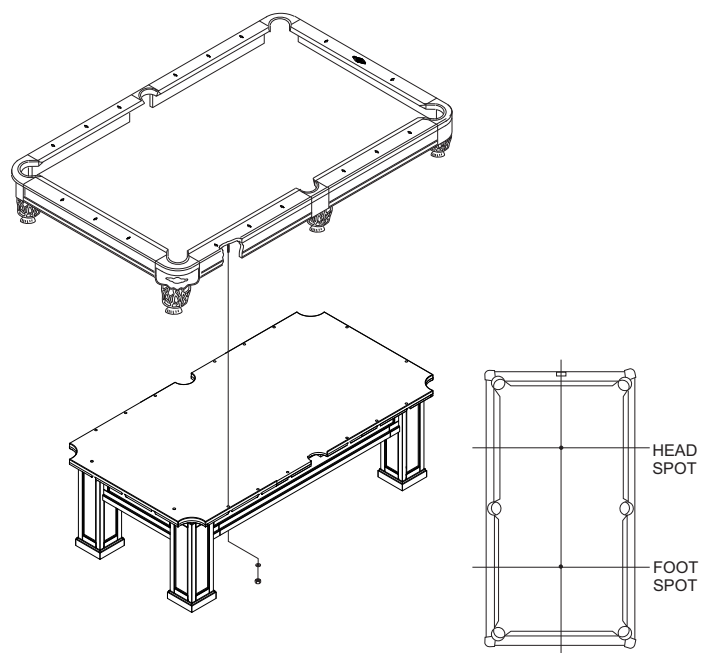


FIGURE THREE

