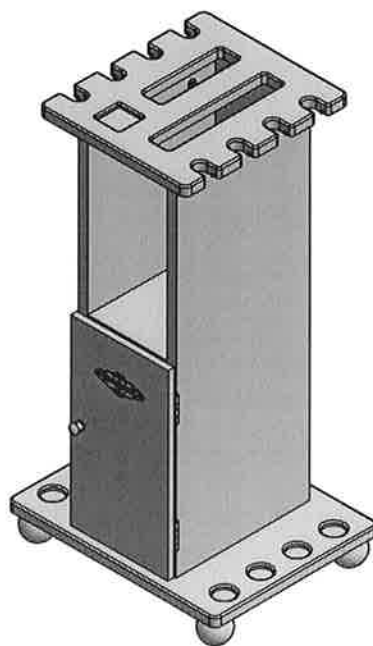
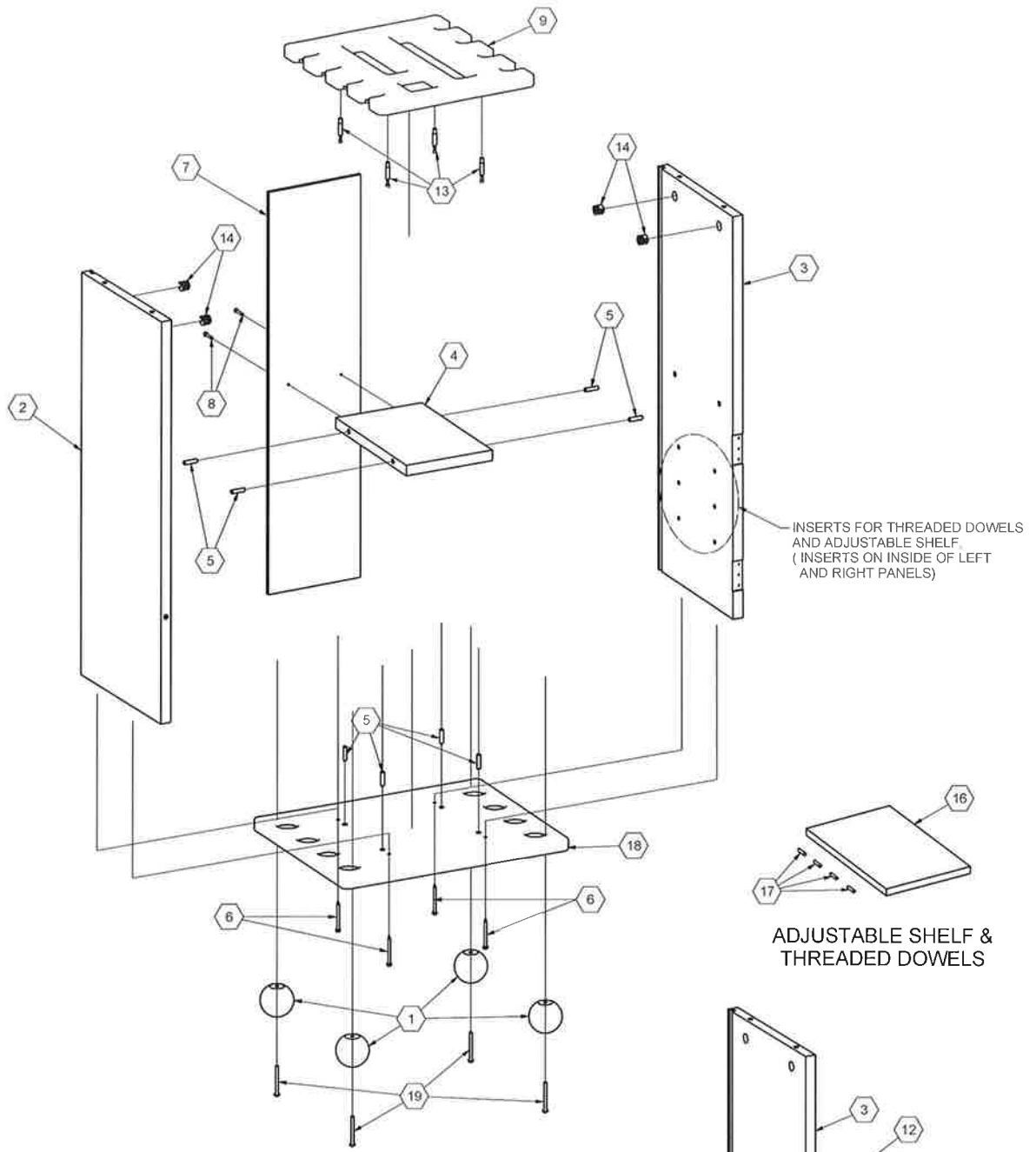




## Heritage Floor Cue Rack Assembly Instructions

- Step #1: Securely attach four bun feet (#1) to the bottom panel assembly (#18) using machine screw (#19).  
NOTE: Tighten screw until snug, do not over tighten!
- Step #2: Insert dowel pins (#5) into holes in top of bottom panel assembly.
- Step #3: Set the left side panel (#2) and right side panel (#3) over dowel pins. Secure side panels with screws (#6) through pre-drilled holes in bottom panel assembly.
- Step #4: Tap dowel pins (#5) into side edges of shelf (#4). Install shelf between side panels by spreading side panels enough to allow dowel pins to be inserted into pre-drilled holes.  
Note: The shelf edge with (2) pre-drilled holes to be positioned towards the back of the rack.
- Step #5: Slide the back panel (#7) into the grooves in both side panels. Secure the back panel to the shelf through pre-drilled holes in the back panel with screws (#8).
- Step #6: Screw the twist lock dowels (#13) into the pre-drilled holes in the bottom side of the top panel (#9).
- Step #7: Lower the top panel onto the side and back panels while guiding twist lock dowels into the pre-drilled holes in each side panel top edge. Secure the top panel in place by inserting the twist cams (#14) into the pre-drilled holes in each side panel and turning with a short phillips screw driver until tight.
- Step #8: Determine the desired location of the adjustable shelf (#16) and thread in dowels (#17) into the appropriate locations of each side panel. Set adjustable shelf in place on dowel pins.
- Step #9: Install the door knob (#12), to the door assembly (#10) with washer (#11) and screw provided with knob (#12).
- Step #10: Install the door assembly (#10) to the right side panel with screws (#15).

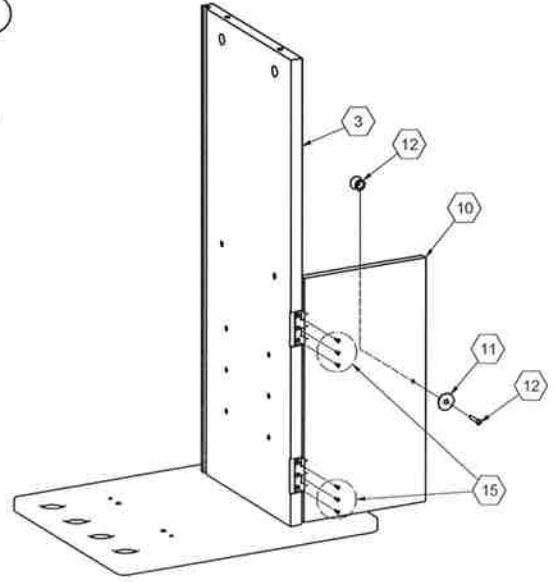




INSERTS FOR THREADED DOWELS AND ADJUSTABLE SHELF (INSERTS ON INSIDE OF LEFT AND RIGHT PANELS)



ADJUSTABLE SHELF & THREADED DOWELS



DOOR ATTACHMENT

Parts List		
QTY	DESCRIPTION	ITEM
4	BUN FOOT	1
1	LEFT SIDE PANEL	2
1	RIGHT SIDE PANEL	3
1	SHELF	4
8	1 1/8" DOWEL PIN	5
4	#8 X 2" LG. SCREW	6
1	BACK PANEL	7
2	#6 X 3/4" LG. BLACK SCREW	8
1	TOP PANEL ASSEMBLY	9
1	DOOR ASSEMBLY	10
1	WASHER	11
1	KNOB, W/#8 SCREW	12
4	STEEL DOWEL (TWIST-LOK)	13
4	CAM (TWIST-LOK)	14
6	#6 X 5/8" LG. SCREW	15
1	ADJUSTABLE SHELF	16
4	THREADED DOWEL	17
1	BOTTOM PANEL ASSY	18
4	#10 X 2" PAN HD MACHINE SCREW	19