

# **ALL-IN-ONE UNIT ASSEMBLY MANUAL**

# STEPMANIAX PLATFORM SETUP

## REQUIRED TOOL LIST

You will require some basic tools to assemble both the StepManiaX Platforms and the main unit.

**Phillips Screw Driver**

**2.5mm Allen Key**

**3mm Allen Key**

**4mm Allen Key**

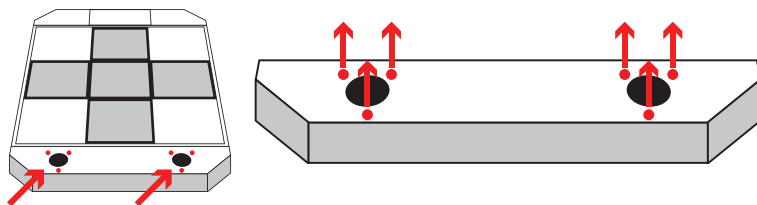
**5mm Allen Key**

**Wide Jaw Crescent Wrench (2.5" reach)**

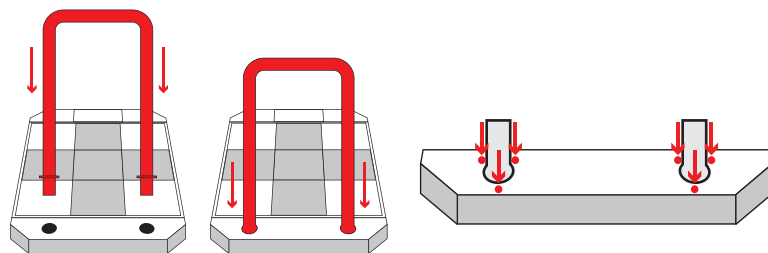
## ATTACHING THE BAR

The back support bars for the platforms are detached for shipment.

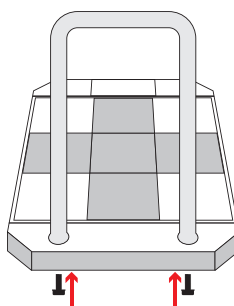
1. Locate the 6 M5 screws on the top of the platform near the back. Remove these screws and set them aside.



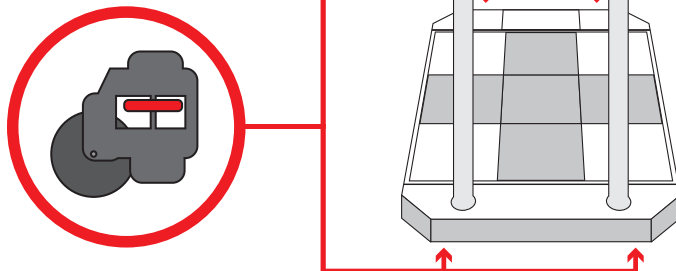
2. Take the back support bar and insert it into the platform. **Note the orientation of the screw holes on both the platform and the bar to make sure they align.** Re-install the screws into the three holes on each side of the installed bar. Tighten until secured.



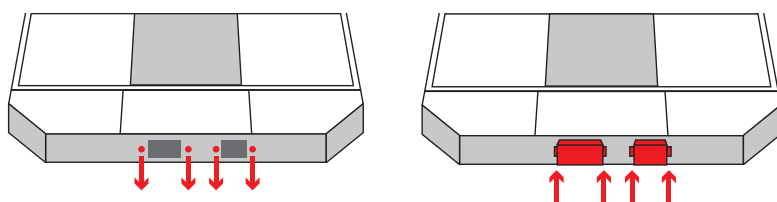
3. Use 2 of the large lug bolts and securely fasten them into the base of the bar from the **underside** of the platform. Tighten until secured using a wrench.



4. Secure the platforms from movement by spinning the red tightener on each platform's wheels counter-clockwise until tight.



5. **Optional:** Additional wire covers can be installed on the front of the platform, if desired. Both covers attach using the two screws already installed on the sides of the power outlet and USB port. Remove the screws, place the cover over the outlet, and reinstall the screws to secure. Attach these **after** setup is fully complete to allow cable connecting.

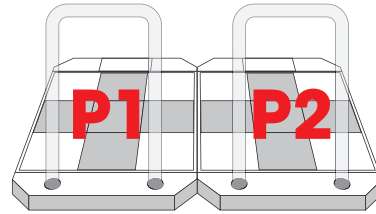


# STEPMANIX PLATFORM SETUP

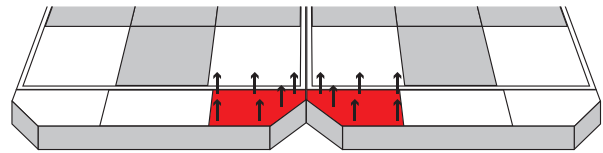
## JOINING THE PLATFORMS

Join the two platforms together for a stable setup and to allow the main unit to be inserted.

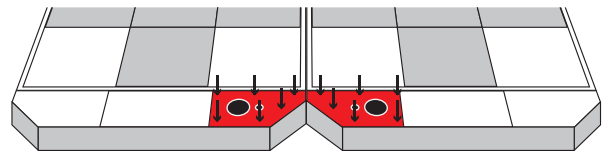
1. Ensure both platforms are properly oriented. The left platform, **as viewed from behind the bars**, is shipped marked "P1", and the right platform is marked "P2".



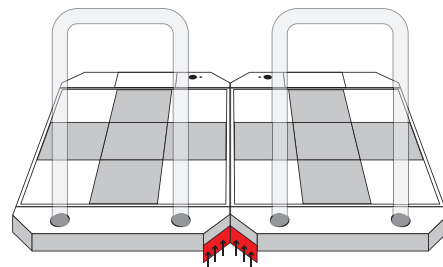
2. Remove the two upper metal covers from the front section of each platform by removing the 6 screws on both the upper right cover on the front of the P1 platform and the upper left cover on the front of the P2 platform.



3. Install the appropriate cover on each side with the smaller holes facing inwards. **Note the covers are shiny on one side - this should be facing upwards and be visible after installing.** Secure with the same 6 screws per cover as before.

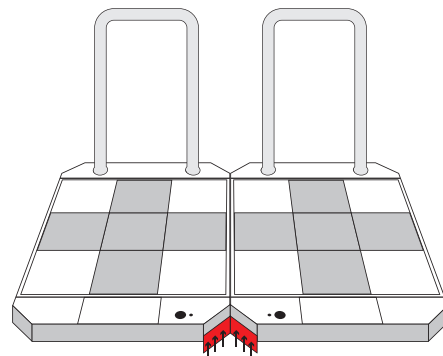


4. Take one of the V-brackets, and using 6 M8 screws attach one on the back of the platforms in the area between them. **Do not completely tighten the screws at this point.**



Repeat this process for the front of the platforms.

5. After both V-brackets have been installed, fully tighten all 12 screws until they are secured.



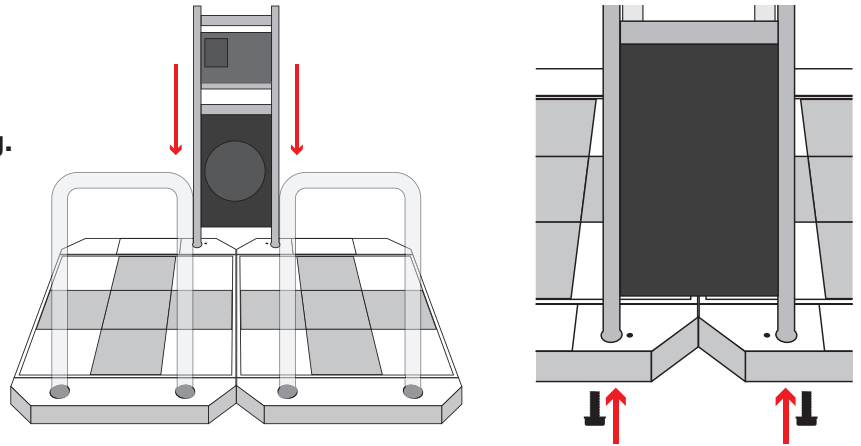
# STEPMANIAX MACHINE SETUP

## ATTACHING THE MAIN UNIT

The main unit of the machine is detached for shipping purposes and also needs to be installed.

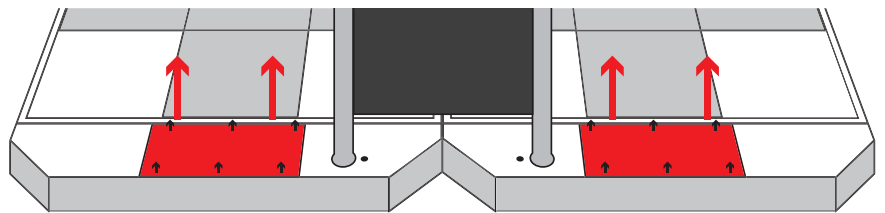
1. Lift the main unit and insert both legs into the large holes on the front of both platforms.

**Make sure that the wires exiting the bottom of the legs are not caught inside of the platforms when installing.**

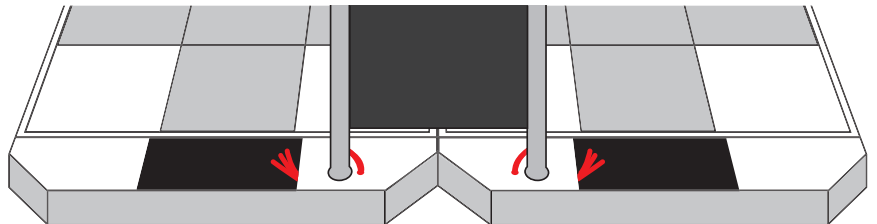


2. Securely attach the main unit to the platforms using the 2 large lug bolts from the underside of the platforms.

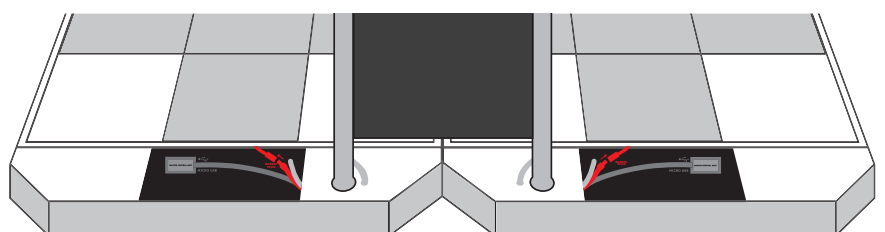
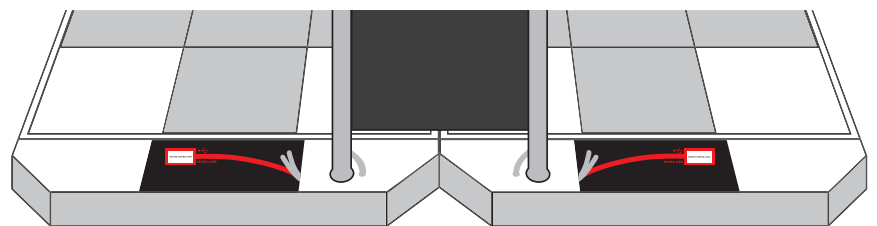
3. Remove the upper cover on each platform by removing the 6 M4 screws. Feed the wires from each of the main unit's legs into the holes next to each leg's insertion hole underneath the main unit. Feed these towards the now open upper section inside each of the platforms.



4. Unplug the existing **USB cable** connected to the Master Control Unit inside of the upper section of **each** platform. Insert the **USB cable** that was previously fed from the main unit into each respective Master Control Unit.



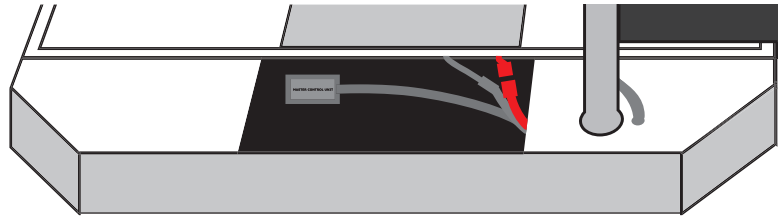
5. Unplug the existing **DC Power Plug** inside of the upper section of **each** platform. Connect the previously fed **DC Power Plug** into each platform's respective plug. **Note:** The internal AC/DC power adapter is only used for standalone use, and will not be used in a complete machine setup.



# STEPMANIX MACHINE SETUP

6. On the **each** platform, plug in the **AC Power Pass-through cable** into the appropriate cable inside of the platform.

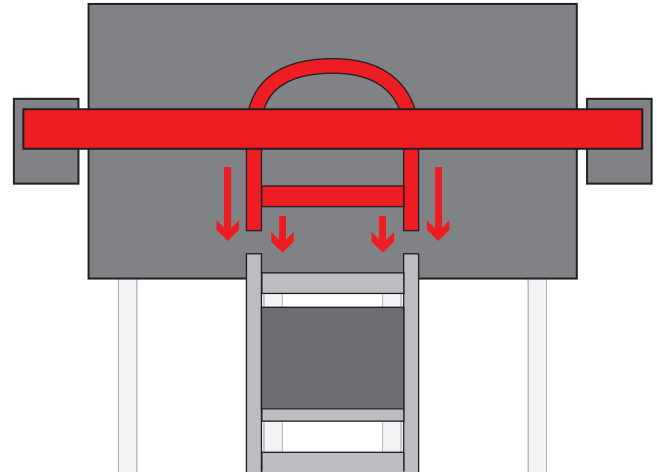
Reinstall the covers removed in step 3.



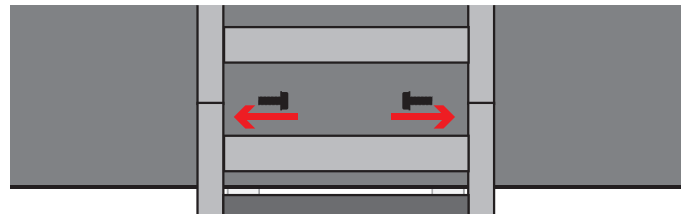
7. **THIS STEP REQUIRES TWO PEOPLE**

Attach the monitor unit to the main unit by lifting the entire monitor assembly upwards and inserting it into the two open tubes on the top of the main unit.

**Always** lift the monitor unit from the metal frame surrounding the monitor, or from the chrome bars attached to it.  
**Do not attempt to lift from the speakers, as this will cause damage.**



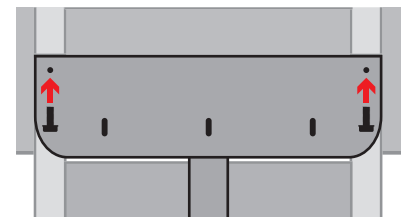
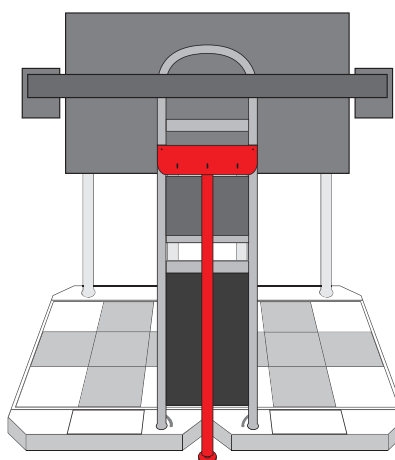
8. Secure the monitor unit to the main unit by installing two M8 bolts on the back of the unit where the monitor unit and main unit are joined on the inside of the frame.



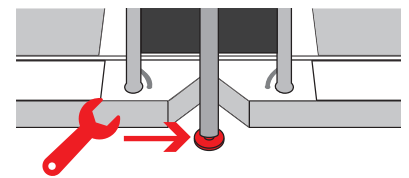
9. Connect the HDMI, USB, power, and speaker cables from the monitor unit to the main unit on the rear of the unit. Each cable will only fit its corresponding connector.



10. Attach the support bar by propping the bar against the back of the monitor unit and attach to the main unit using 2 M8 bolts installed into the chrome frame.

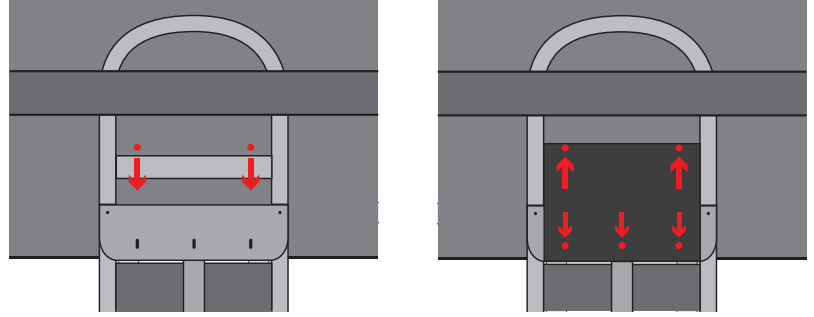


11. Tighten the support bar's adjustable leg on the bottom using a wrench until the unit is stable and secure.

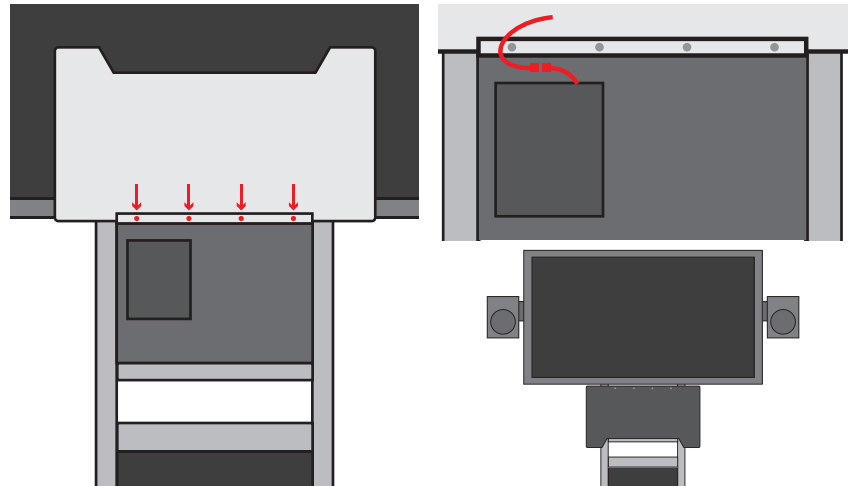


# STEPMANIAX MACHINE SETUP

12. Install the black cover to protect the monitor unit connection cables by removing the two screws on the back of the monitor. Use these two screws to attach the back cover using the same holes, and use 3 additional M4 screws to secure the bottom of the plate.



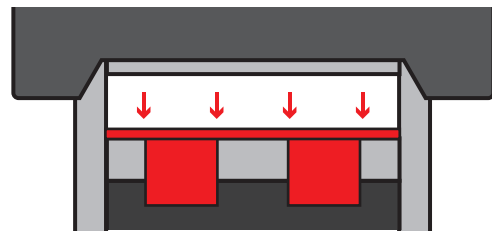
13. Install the front access cover by taking the cover and aligning the 4 mounted screws with the holes along the front hinge, pointed towards the inside of the main unit. Attach the cover by using 4 nuts, one on each screw.



14. Plug the light cable from the cover into the loose plug inside the main unit.

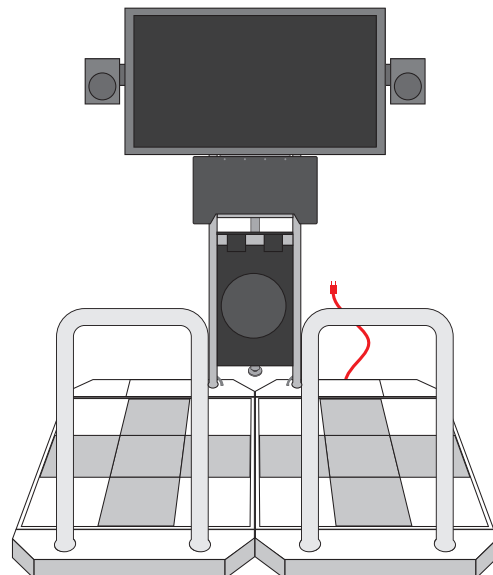
Close the cover and lock if desired.

15. **Optional:** Install the front cup holder using M4 screws on the front of the machine under the previously installed cover, above the subwoofer.

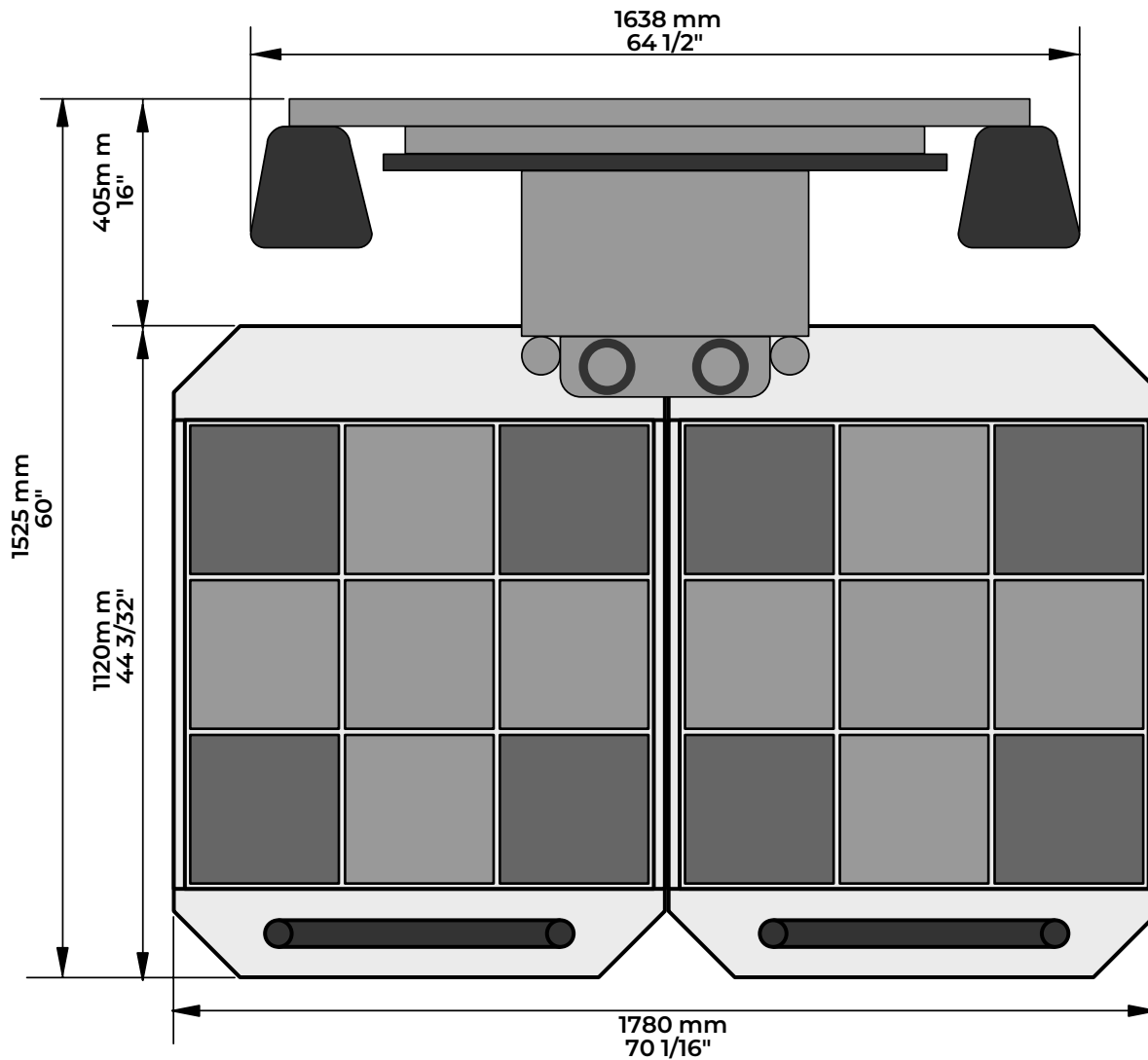


16. Plug one AC Power Cable into either platform to power the unit. Only **one** cable is required to power the entire system, and both plugs should **never** be used simultaneously.

Setup of the StepManiaX machine is now completed.



# MEASUREMENTS



- Console height: 1930 mm / 76" (+/- 12 mm / 1/2")
- Stage height with support bar: 1156 mm / 45 1/2" (+/- 12 mm / 1/2")
- Stage height without support bar: 181 mm / 7 1/8" (+/- 12 mm / 1/2")
- Screen height (middle): 1620 mm / 63 3/4" (+/- 12 mm / 1/2")

## Shipping dimensions

- Console (1pcs wooden crate): 150 cm x 81.5 cm x 79 cm / 59" x 32" x 31"  
257 Kg / 565 lbs
- Stage (2 pcs, wooden crate): 125 cm x 101.5 cm x 30.5 cm / 49" x 40" x 12"  
115.5 Kg / 255 lbs