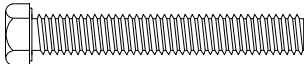
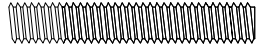


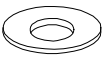

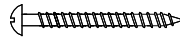
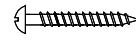

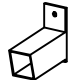

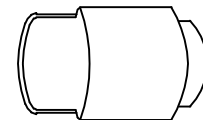
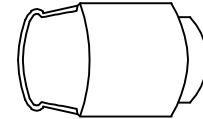


HARDWARE LIST

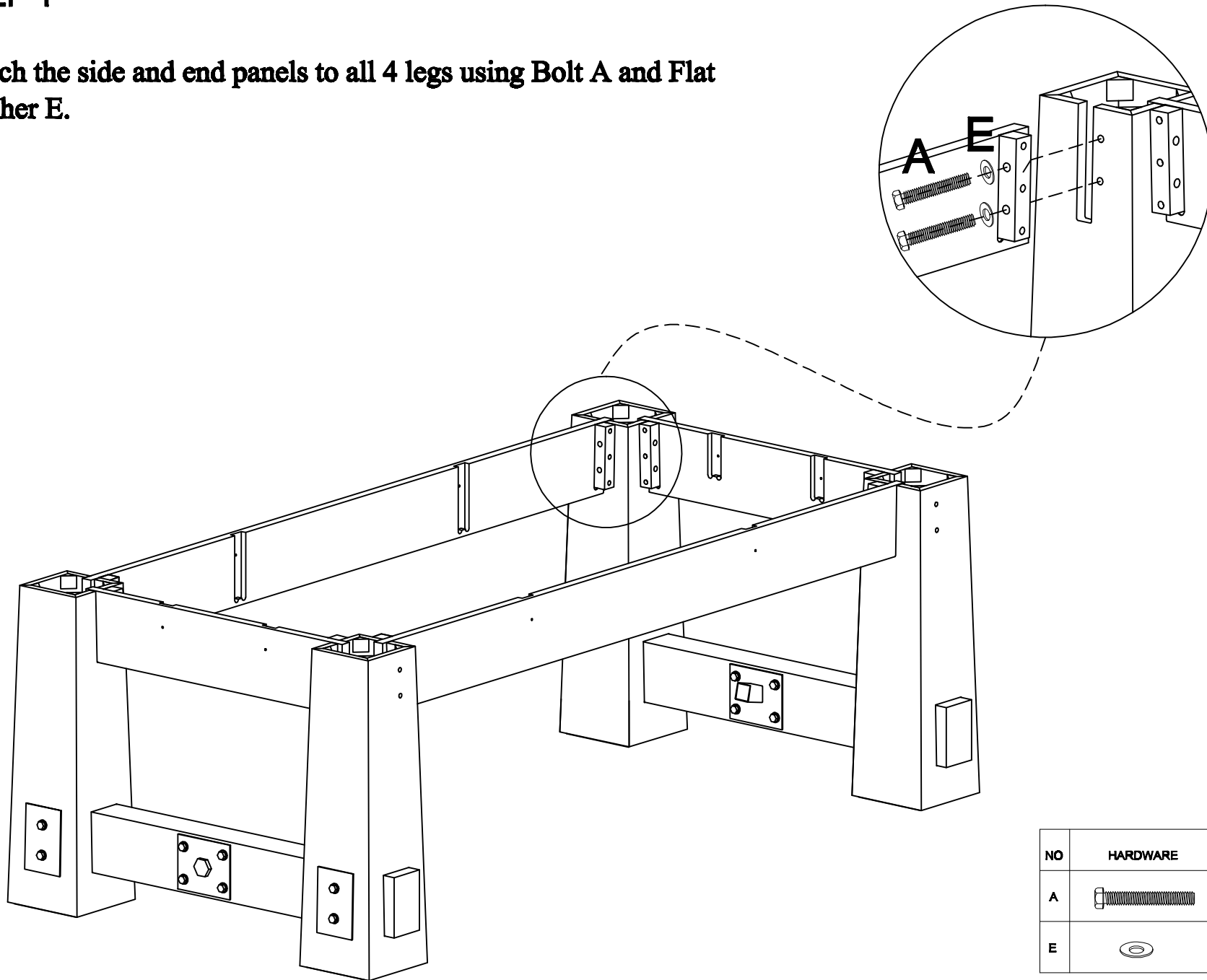
NO	HARDWARE	DESCRIPTION	QTY
A		HEX BOLT 5/16" x 2 1/2"	8
B		RAIL STUDS 5/16" x 2 3/4"	18
C		HEX NUT 5/16" x 12.5 mm	18
D		RAIL WASHER 3/8"	18
E		FLAT WASHER 10.5 x 29 x 2	8
F		CSK TS #14 x 2 1/2"	12
G		P.H.R.S #9 x 2"	18



HARDWARE LIST

NO	HARDWARE	DESCRIPTION	QTY
H		P.H.R.S #8 x 1"	32
I		T.H.C.B M4 x 20mm	2
J		TUBING END CAP	2
K		METAL TUBES	2
L		SIDE POCKET	2
M		CORNER POCKET	4

STEP 1

Attach the side and end panels to all 4 legs using Bolt A and Flat Washer E.

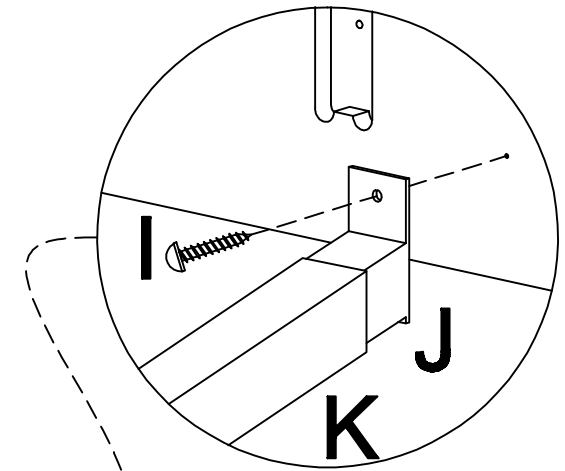


NO	HARDWARE	DESCRIPTION	QTY
A		HEX BOLT 5/16" x 2 1/2"	8
E		FLAT WASHER 10.5 x 29 x 2	8

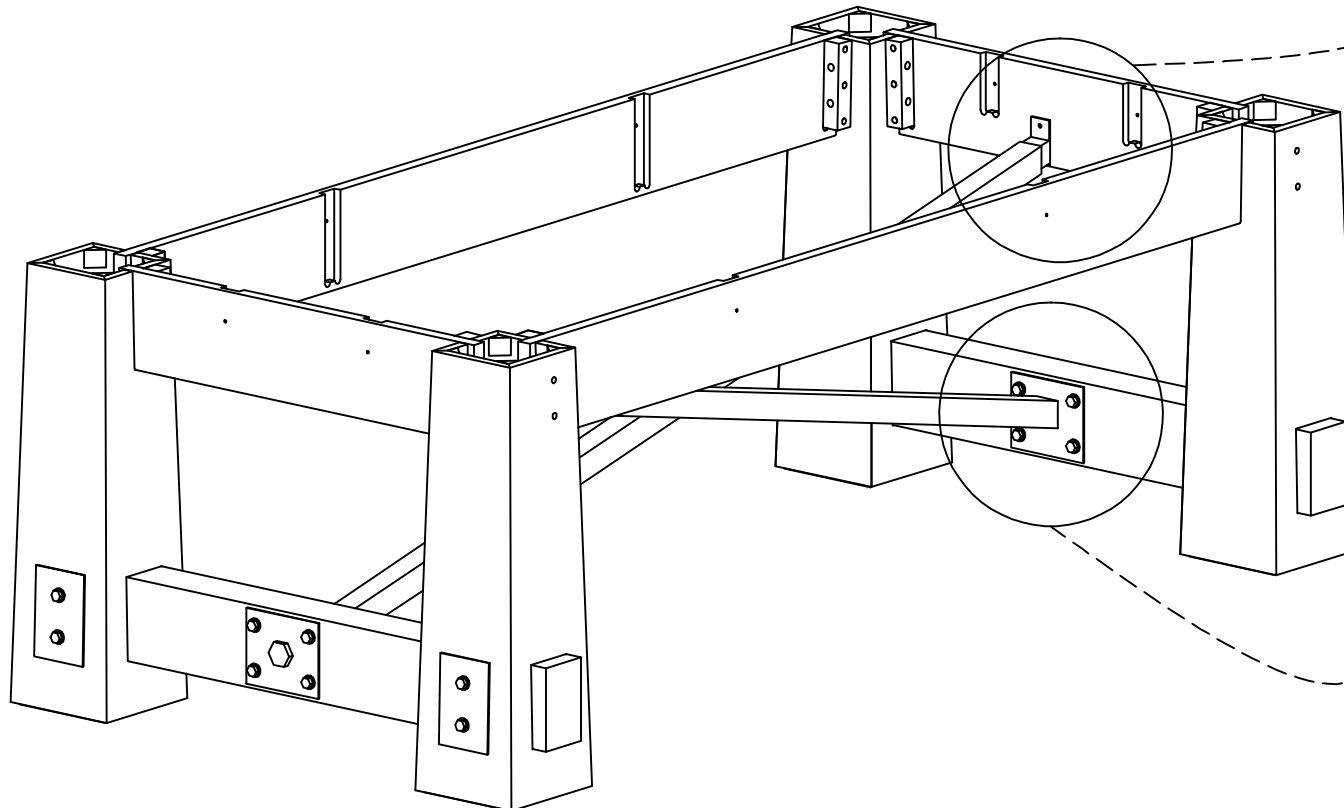
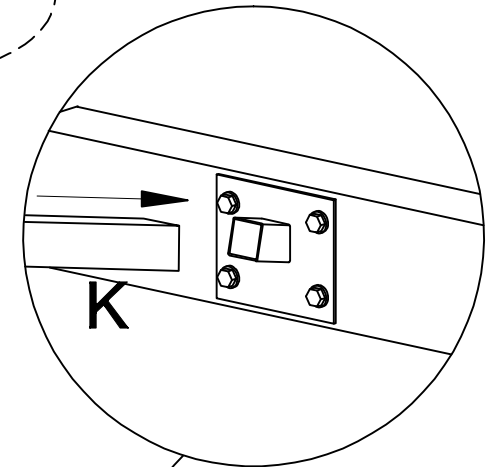
STEP 2




Slide the long metal tube on to the pre-attached tab of the lower leg runner as shown in STEP 2.1. Slide the loose metal tab in to the long metal tube and attach the metal tab to the end panel as shown in STEP 2.2. The end panel has a predrilled hole for proper placement of this metal tab.

STEP 2.2



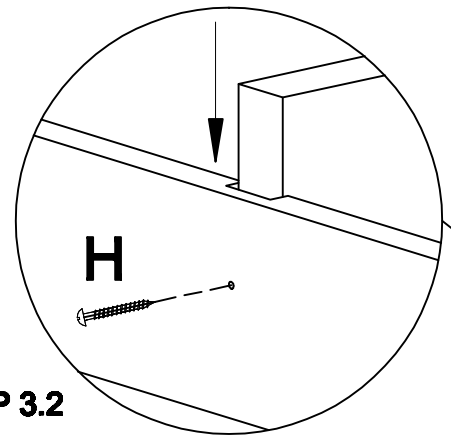
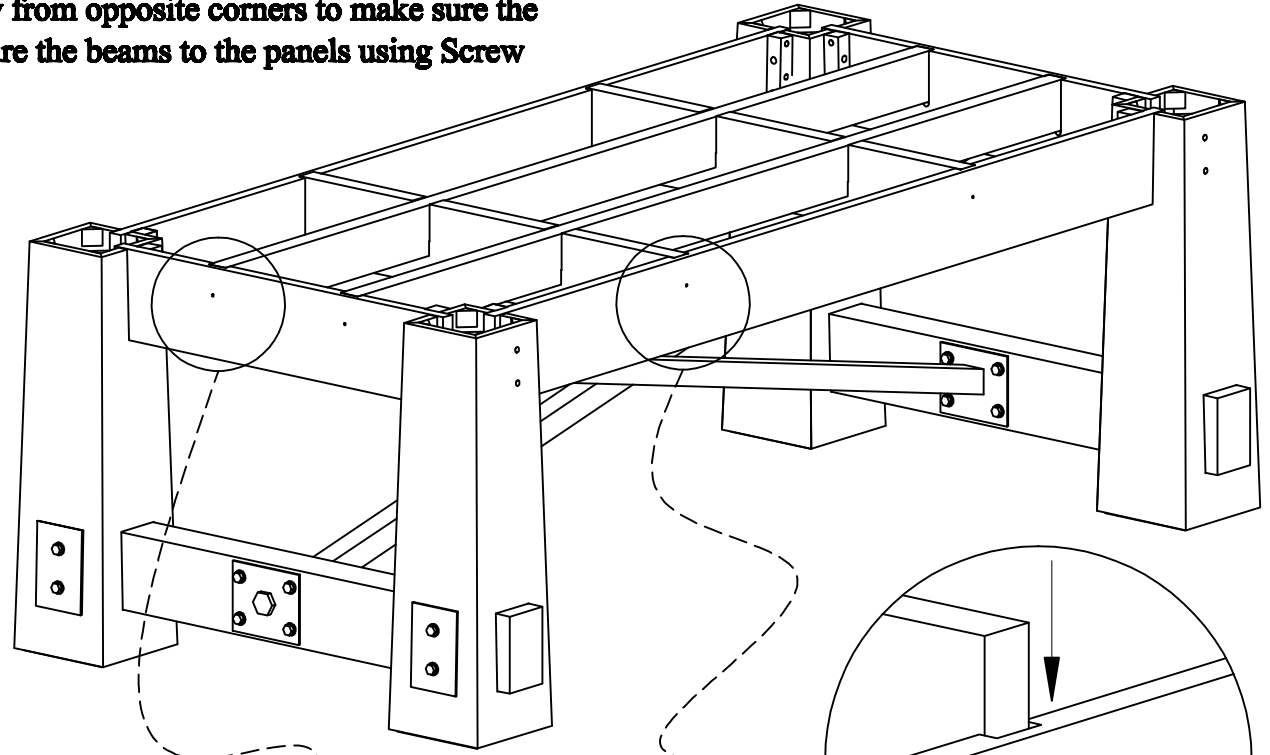
STEP 2.1



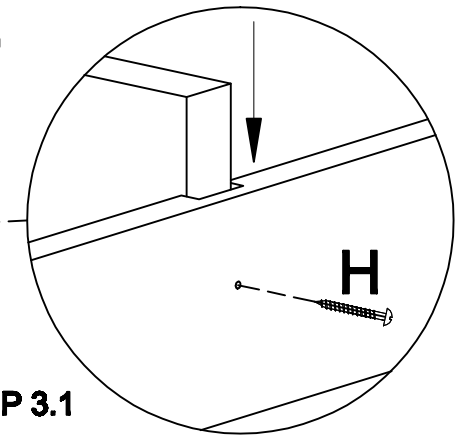
NO	HARDWARE	DESCRIPTION	QTY
I		T.H.C.B M4 x 20mm	2
J		TUBING END CAP	2
K		METAL TUBES	2

STEP 3

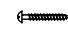
Insert the long and short beams in to the panel sets. With a tape measure, measure the beam assembly diagonally from opposite corners to make sure the beam assembly is square and then secure the beams to the panels using Screw H.



STEP 3.2

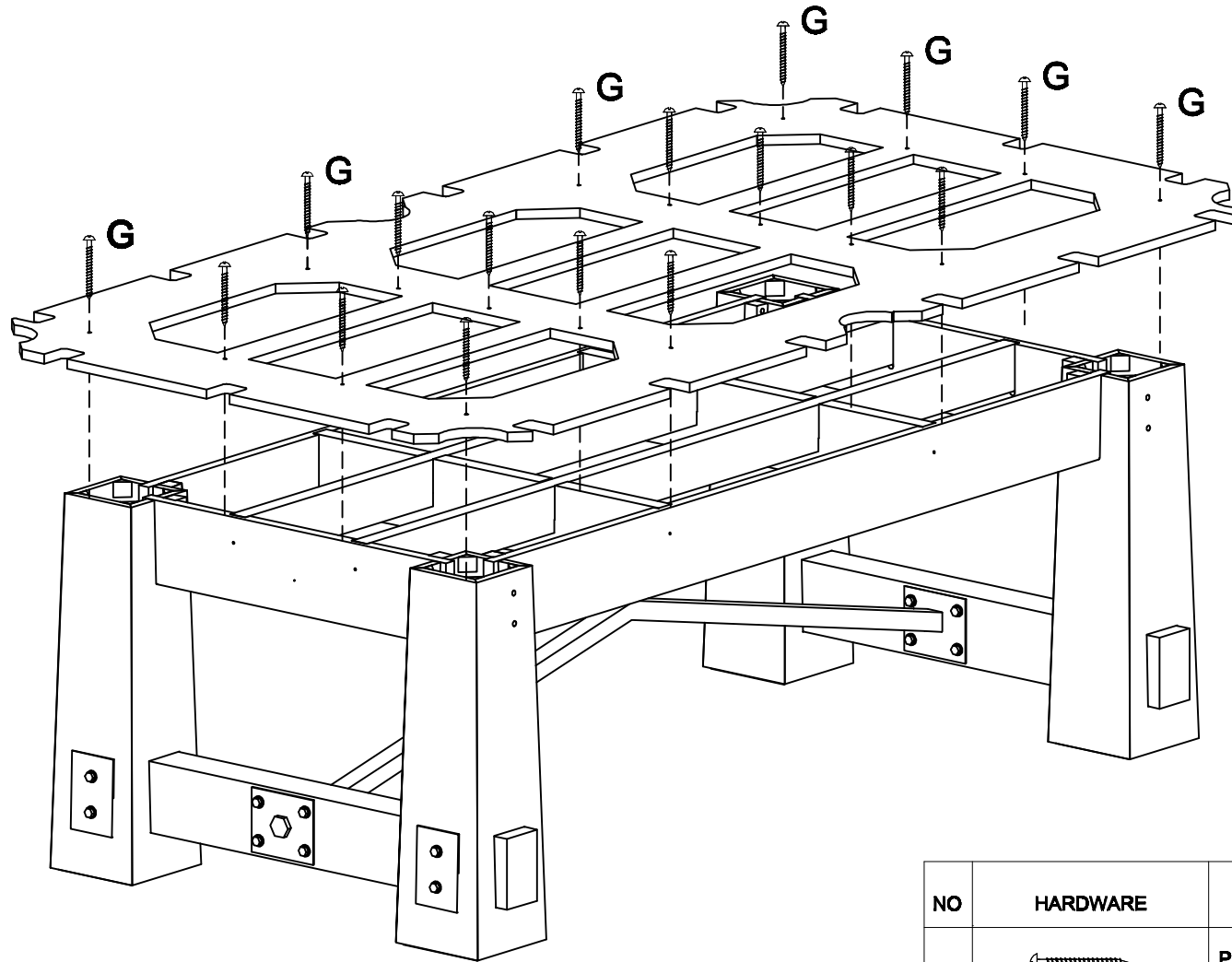



STEP 3.1

NO	HARDWARE	DESCRIPTION	QTY
H		P.H.R.S #8 x 1"	8

STEP 4

Attach the slate pad to the beams using Screw G.



NO	HARDWARE	DESCRIPTION	QTY
G		P.H.R.S #9 x 2"	18

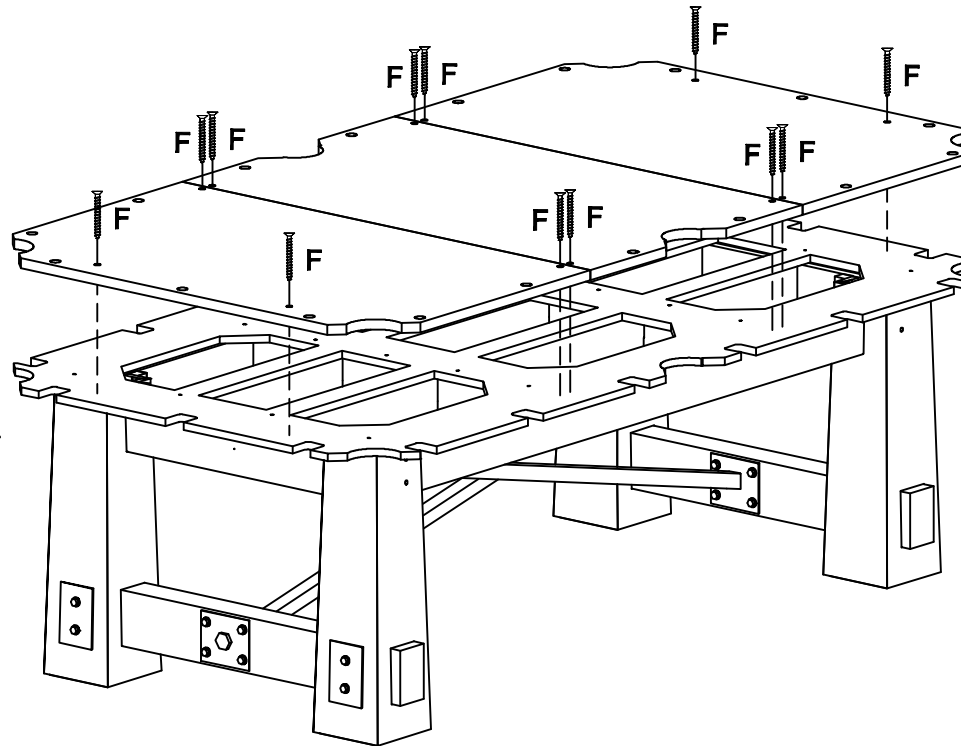
STEP 5

Making sure table assembly is in the proper spot in the room, use a level to ensure the frame is level to the floor. Use flat shims under the legs to adjust if needed.

Locate the center piece of slate and position it on the cross beam assembly so that it is centered to both the length and width of the assembly (you must be very accurate with placement). Pre-drill holes through the slate screw holes using a 3/16" drill bit. Vacuum out debris and secure using Slate Screws F.


Continue with the same process for both outside sections of slate.

With a level or straight edge, be sure that the slate seams are flat and level. If adjustments need to be made, loosen slate screws and place a shim(s) in the area that needs adjustment. Tighten screws and check for levelness. Use Bee's Wax or similar to fuse the seams of the slate together.



Cont.

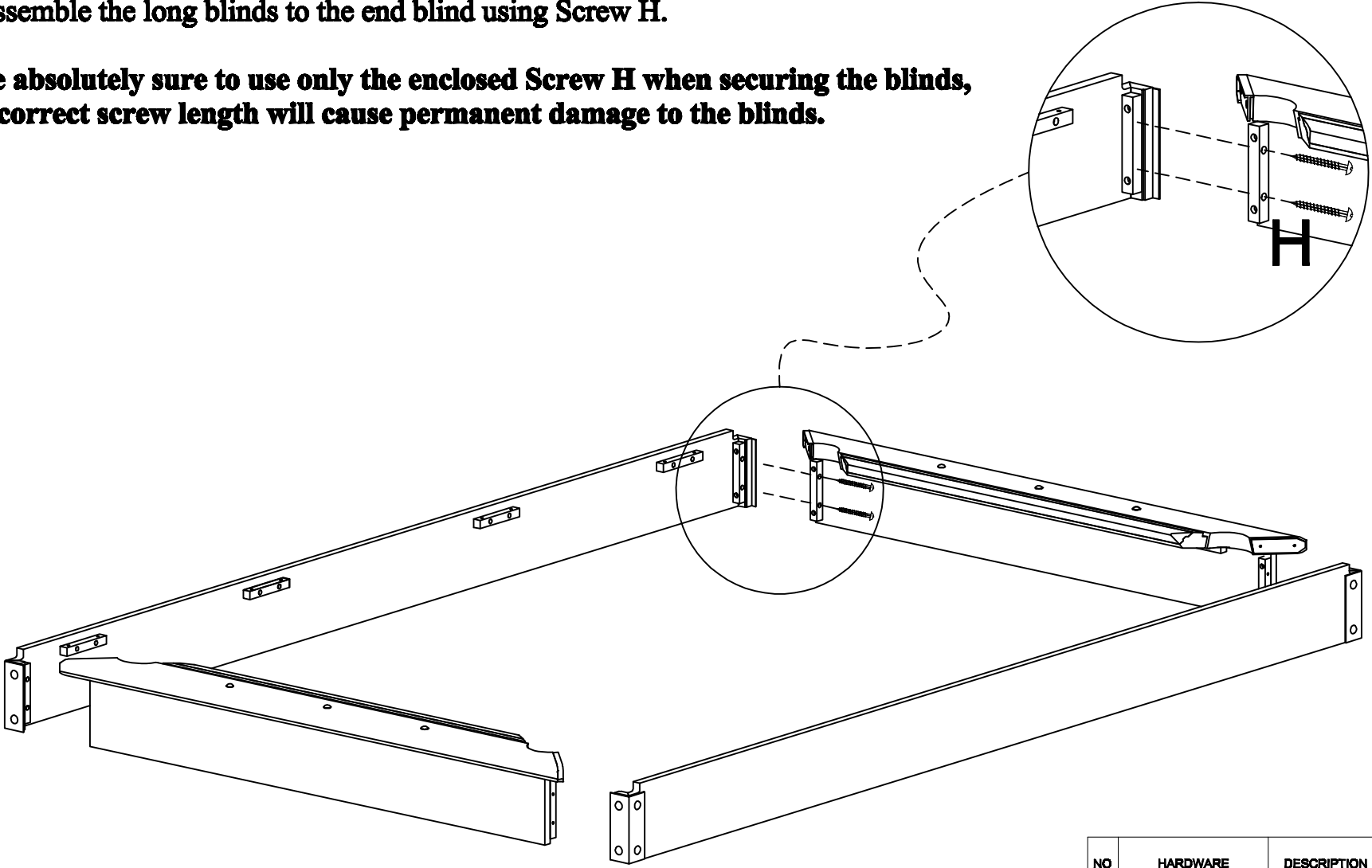
Remove any wax, dust and debris from the slate surface to prep it for the bedcloth. Layout bedcloth centering it over the slate surface. Starting at one end, staple cloth to slate framing, working from center out toward the pockets stretch cloth toward pockets. Go to opposite end of table and repeat process but pull the cloth tight while stapling. Repeat on long sides working from center between center pocket and end pocket stretching cloth toward the pockets as you staple. Once cloth is completely stapled, cut pocket openings by cutting small vertical incisions in cloth to relax the fabric so it can be stretched and stapled around opening. Finally, make "X" style slits in cloth where rail bolts will go through the slate holes (see photo below).


NO	HARDWARE	DESCRIPTION	QTY
F		CSK TS #14 x 2 1/2"	12

STEP 6

Assemble the long blinds to the end blind using Screw H.

Be absolutely sure to use only the enclosed Screw H when securing the blinds, incorrect screw length will cause permanent damage to the blinds.

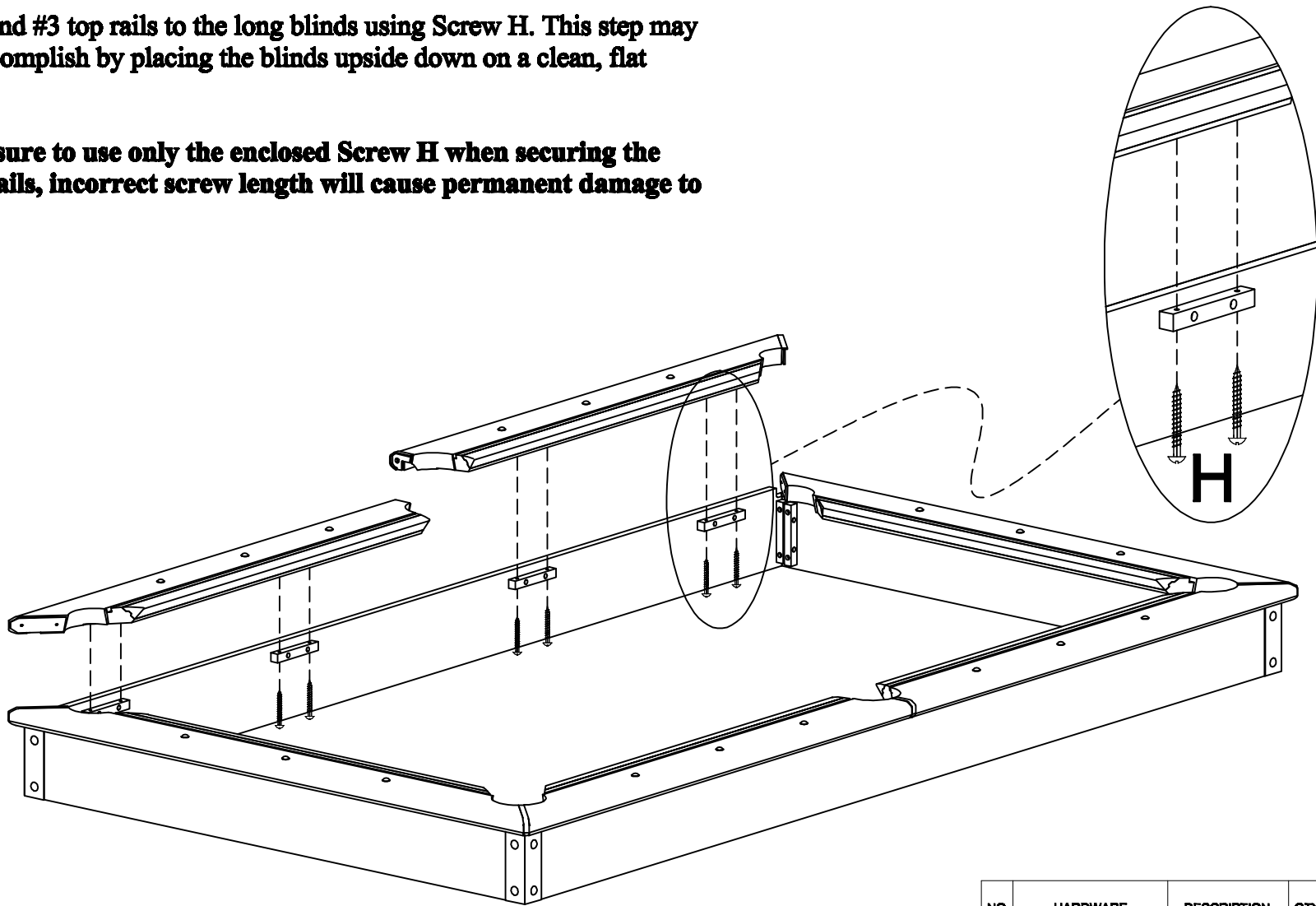



NO	HARDWARE	DESCRIPTION	QTY
H		P.H.R.S #8 x 1"	8

STEP 7

Attach the #2 and #3 top rails to the long blinds using Screw H. This step may be easier to accomplish by placing the blinds upside down on a clean, flat surface.

Be absolutely sure to use only the enclosed Screw H when securing the blinds to the rails, incorrect screw length will cause permanent damage to the top rails.

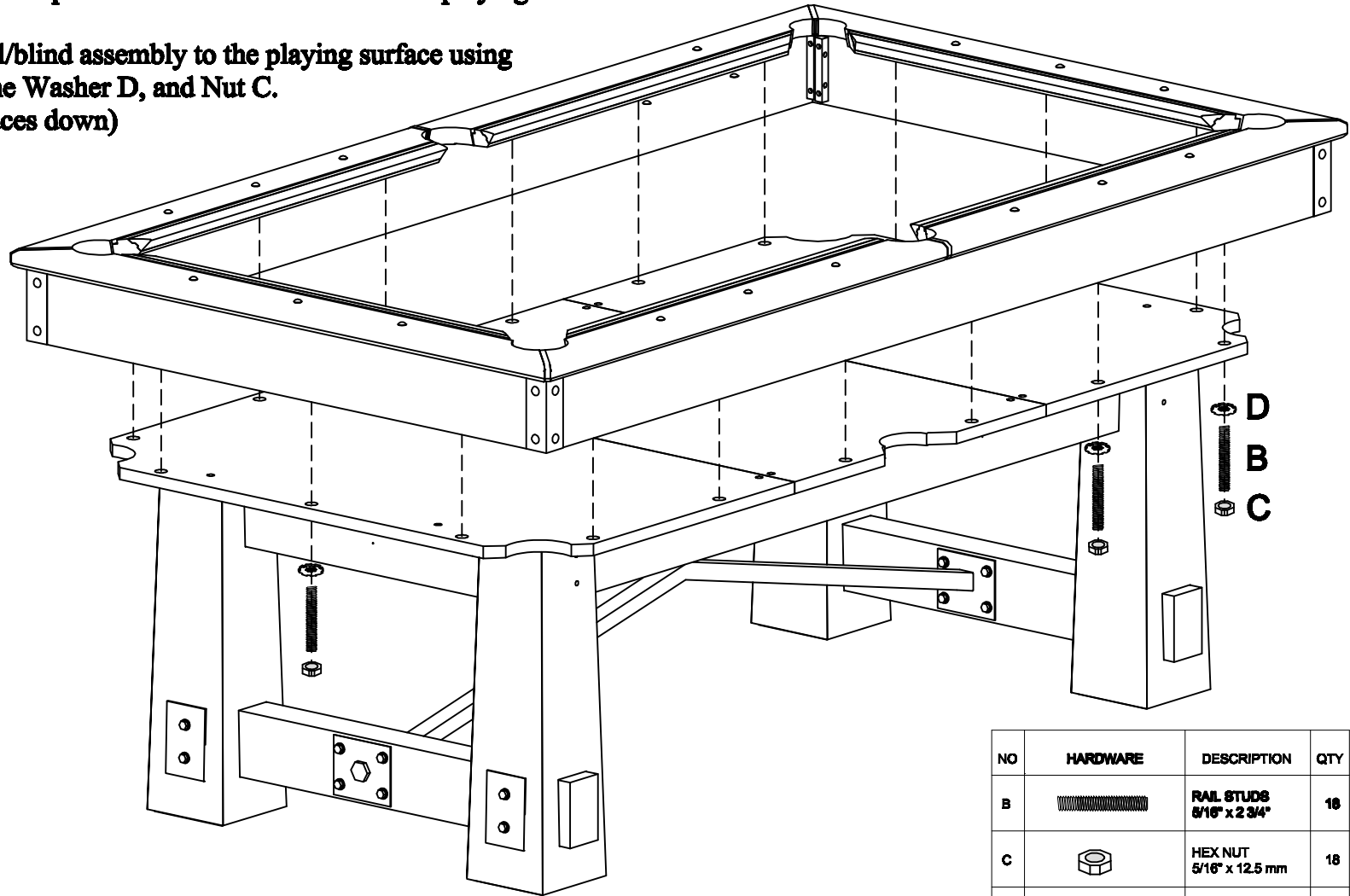





NO	HARDWARE	DESCRIPTION	QTY
H		P.H.R.S #8 x 1"	16

STEP 8

Using two adults, carefully align the top rail/blind assembly over the playing surface and set down on the playing surface aligning the top rail inserts with the holes in the playing surface.

Attach the top rail/blind assembly to the playing surface using Rail Stud B, Dome Washer D, and Nut C.
(Dome Washer faces down)



NO	HARDWARE	DESCRIPTION	QTY
B		RAIL STUDS 5/16" x 2 3/4"	18
C		HEX NUT 5/16" x 12.5 mm	18
D		RAIL WASHER 3/8"	18

STEP 9

NOTE: the side pockets and corner pockets ARE different and will only work correctly one way, make sure to follow the label "S" or "C" on the back of the pocket.

To install the pockets, squeeze the top of the pocket and bring it up through the pocket opening from the bottom. Be sure not to push back the pockets so they are flush against the rail; the first priority is to ensure they line up with the felt near the playing surface. Peel back the paper to reveal the sticky side of the velcro on the backside of the pocket to secure the pocket to the rail.

