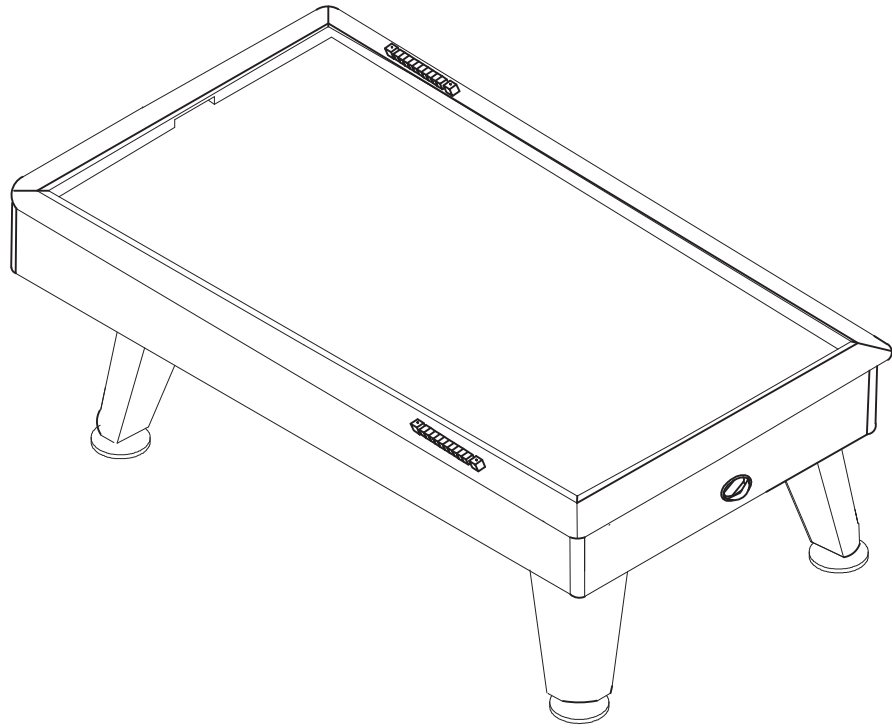


ASSEMBLY INSTRUCTIONS



Playcraft Champion Air Hockey Table

Model: **AHCMPBLK88**



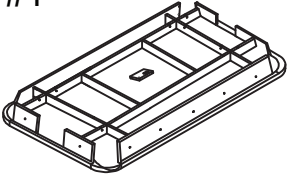
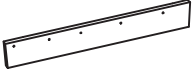
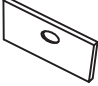
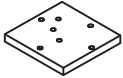



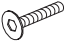









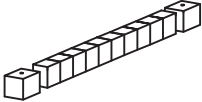

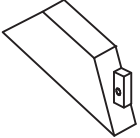

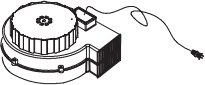
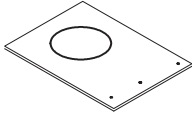


Congratulations on selecting a Playcraft Champion Air Hockey Table! Playcraft is a leader in the industry providing high quality value priced products. Please contact us via email at support@playcraft.com should you require any assistance.

For Your Safety

- 1) Please read all safety instructions and directions before assembly. During assembly and while using the game, please consider that the table is heavy and requires at least two people to lift or move.
- 2) Only use the table for its intended purpose.
- 3) Damaged or worn parts may be dangerous for users and the integrity of the game. Replace worn or damaged components immediately and do not use the game until any issues have been resolved.
- 4) Unauthorized repairs or altering the table's design or functions may be dangerous and will void the warranty.
- 5) Check all screws, bolts, etc. on a regular basis to ensure that they are in good working condition. Tighten any screws or bolts that have loosened over time.
- 6) Your game is designed for use in an indoor, climate controlled environment only. Damage can occur if the table is exposed to water, dampness, high humidity, freezing temperatures, etc.
- 7) Be aware that pucks can leave the table during the game and can injure players or bystanders that are close to the game. Please use caution.
- 8) Never spray a cleaner directly onto the game.

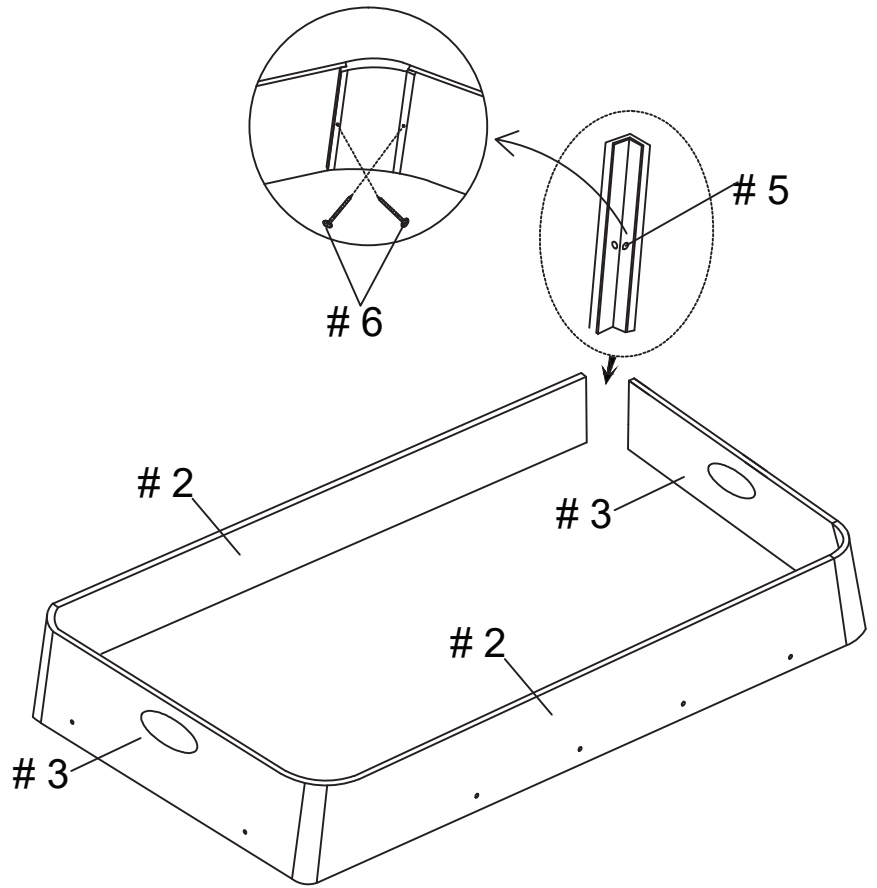


PART LIST

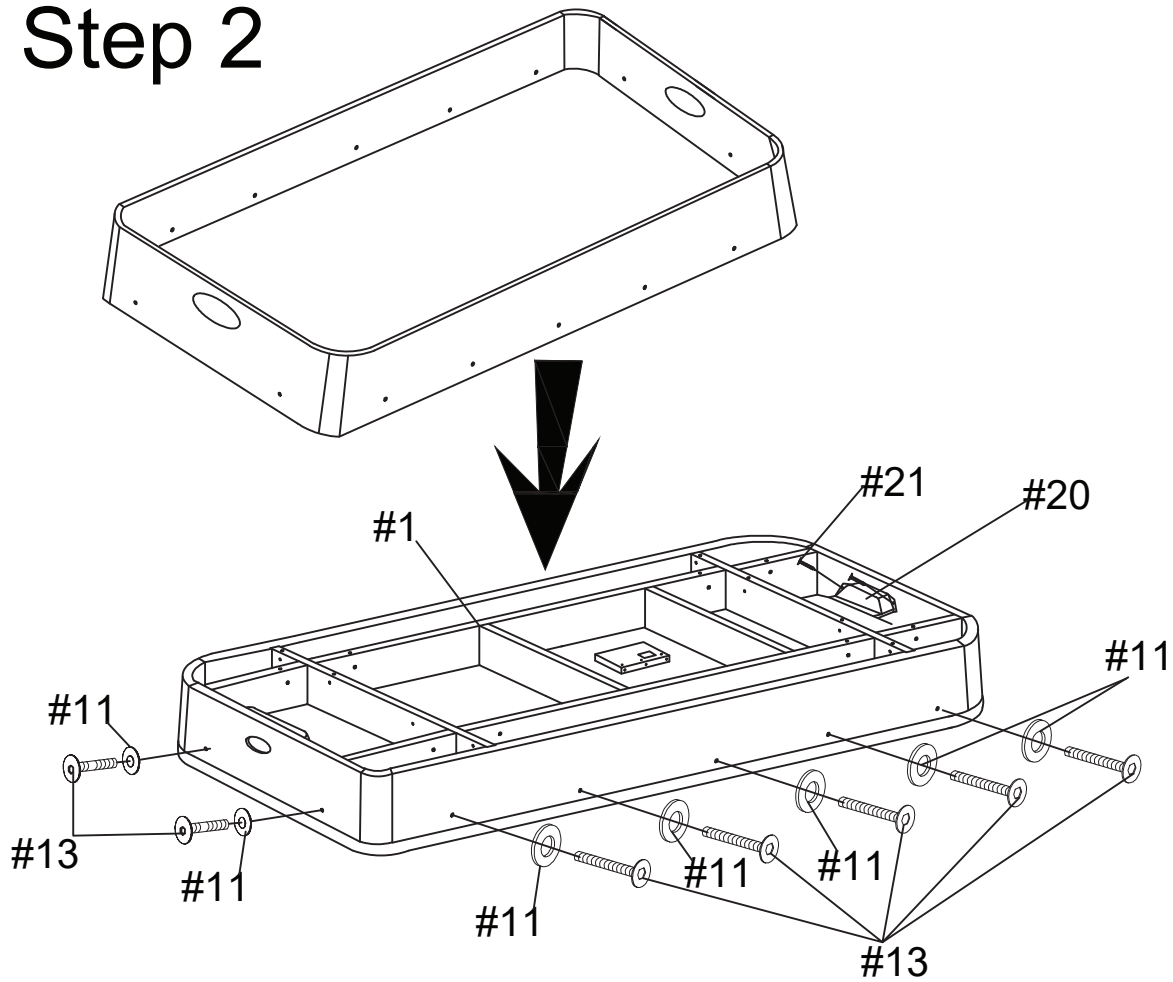
#1  Pre-Assembled Table Top 1 pc	#2  Side Apron 2 pcs	#3  End Apron 2 pcs	#4  Leg Base Mount 4 pcs
#5  Apron Corners 4 pcs	#6  12mm Screws 12 pcs	#7  Leg 4 pcs	#8  5/16" x 2" Bolts 12 pcs
#9  23mm Washers 12 pcs	#10  1/4" x 2-1/4" Bolts 19 pcs	#11  1/4" x 19mm Washers 33 pcs	#12  Barrell Nuts 16 pcs
#13  1/4" x 1" Bolts 14 pcs	#14  Screws 4 pcs	#15  Pusher 4 pcs	#16  Pucks 4 pcs
#17  Puck Retrieval Trim 2 pcs	#18  Scorer 2 pcs	#19  Wrench 1 pc	#20  Puck Box 2 pcs
#21  P4*1-1/4" Screws 4 pcs	#22  Motor 1 pcs	#23  Motor Mount Panel 1 pcs	#24  P4*18mm Screws 4 pcs
#25  Leg Leveler 4 pcs			



Step 1

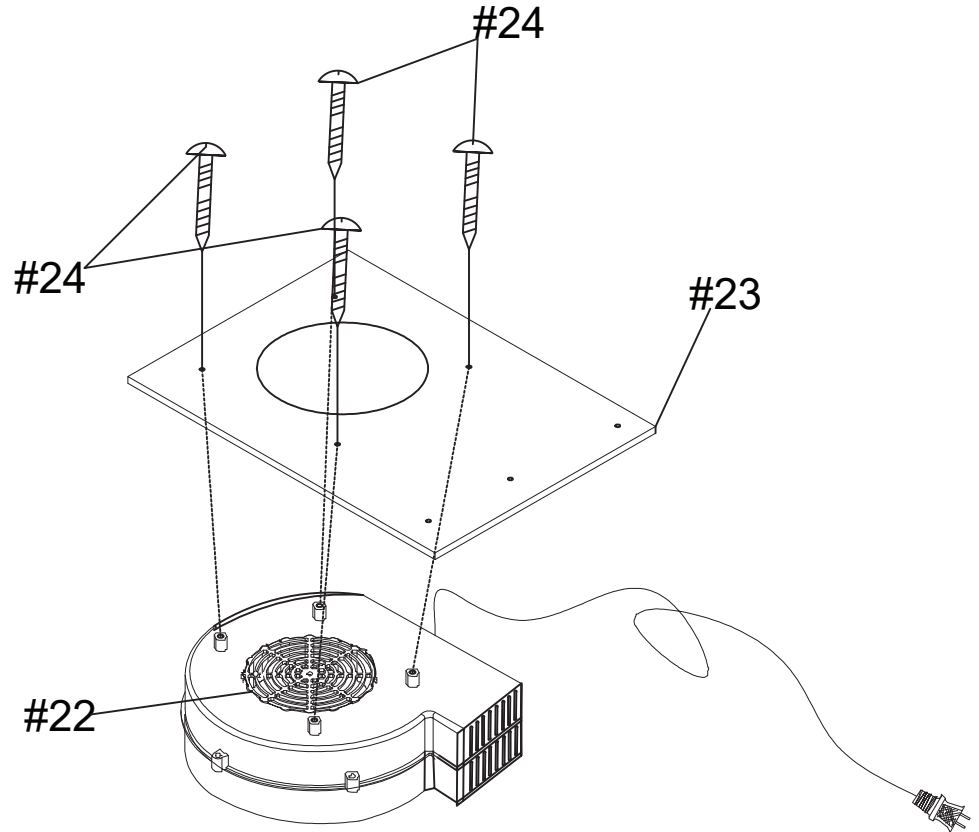


Step 2

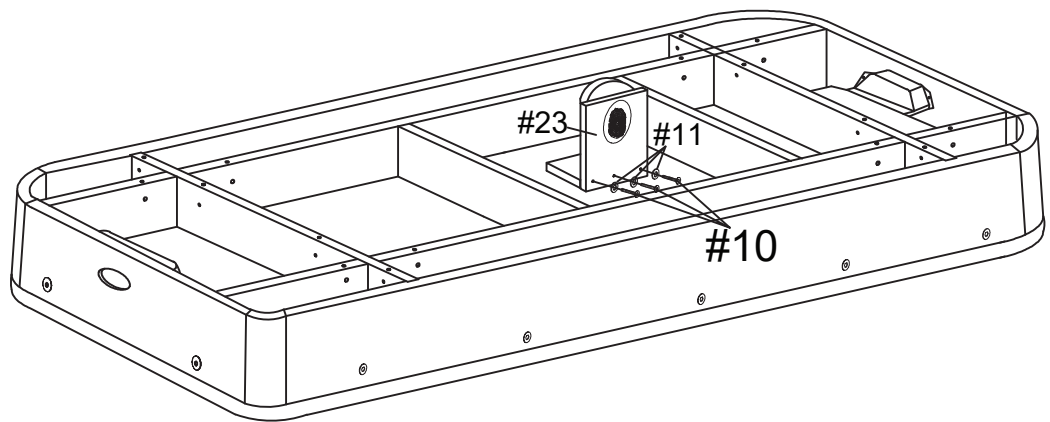




Step 3

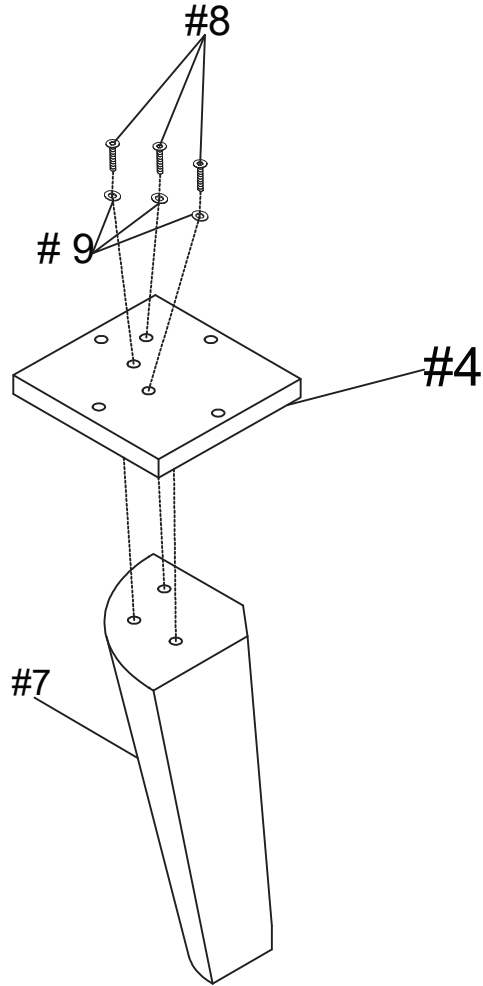


Step 4

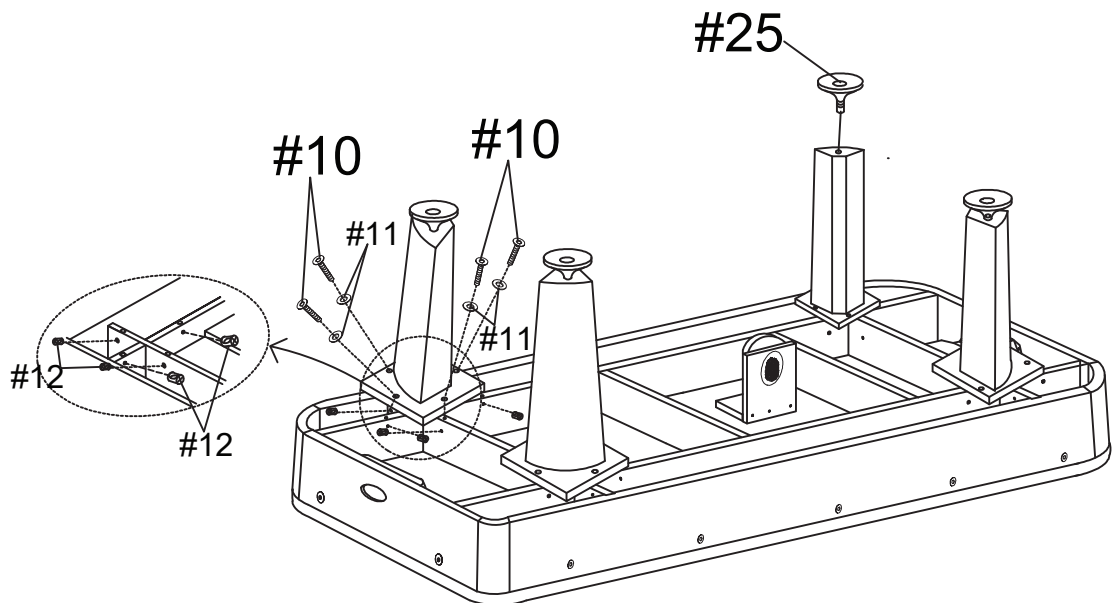




Step 5



Step 6



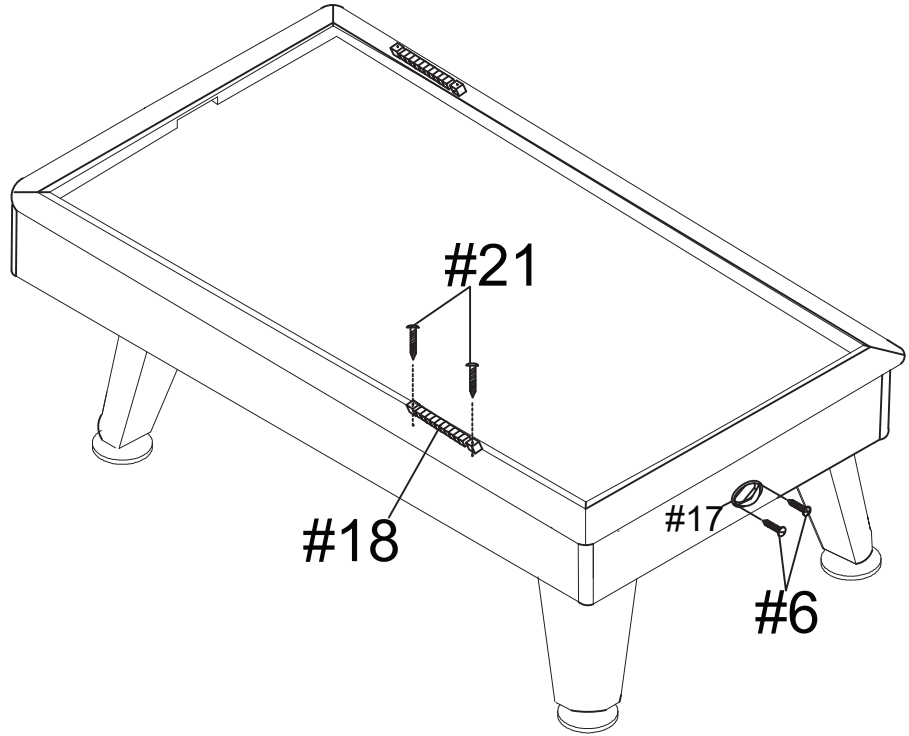


Step 7

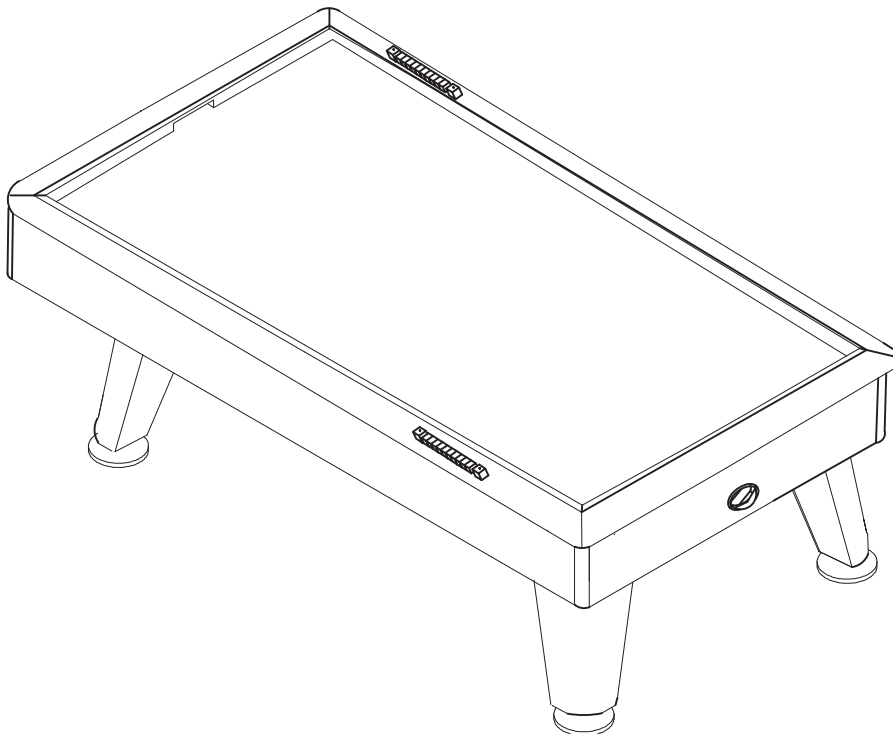
⚠ CAUTION!

Use 2 or more people to pick up the table and turn it over onto its legs.

**** DO NOT ROLL THE TABLE ONTO ITS LEG OR THEY MAY BE DAMAGED ****



Step 8





Customer Service

For questions on assembly or for missing or damaged parts, please contact us via email at support@playcraft.com. Please visit our website at www.playcraft.com to see more industry leading Playcraft and Playcraft Sport game tables.

Thank you for choosing Playcraft!

Global Merchants, Inc.
12 Lunar Drive
Woodbridge, CT 06525