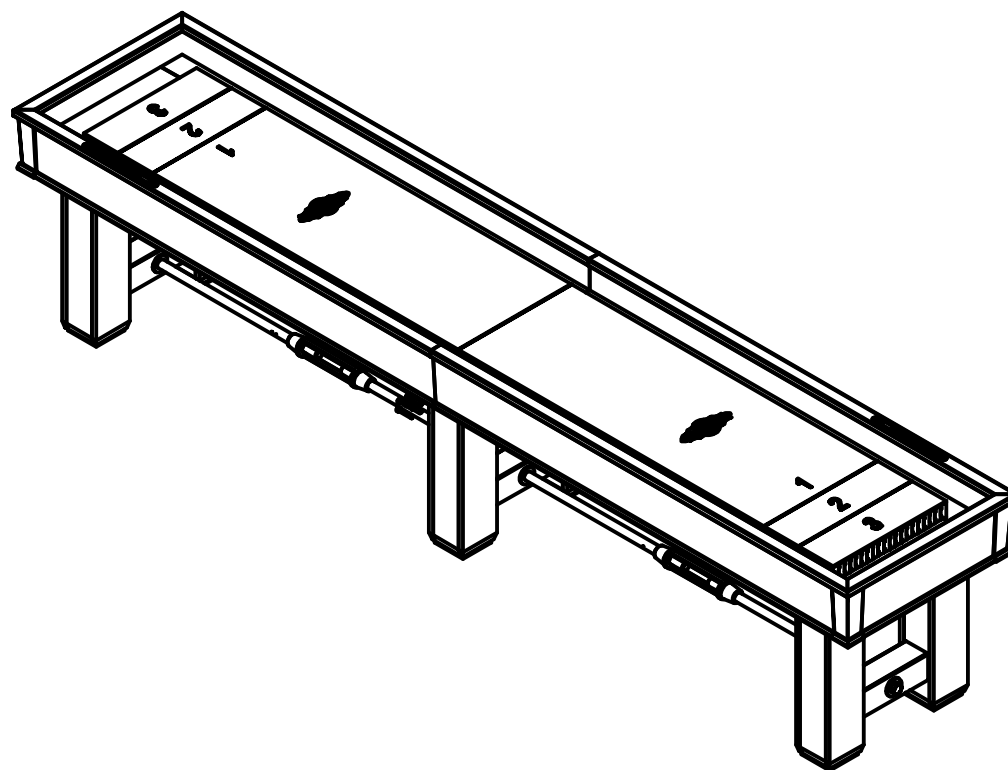


ASSEMBLY INSTRUCTION MANUAL

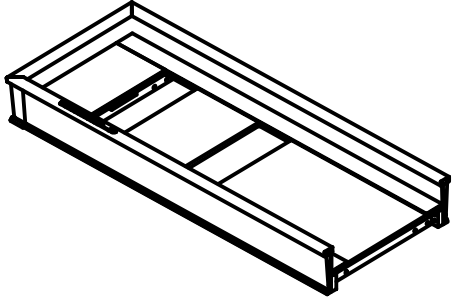
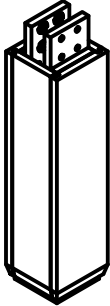
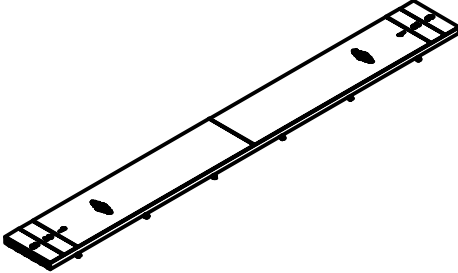
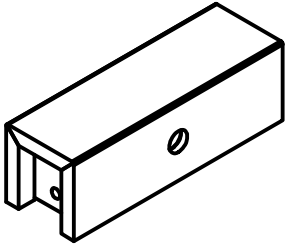
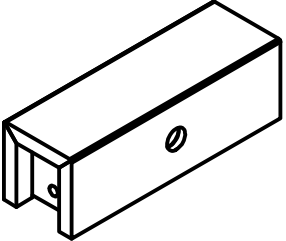
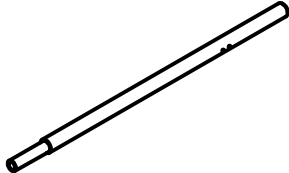
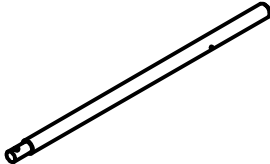
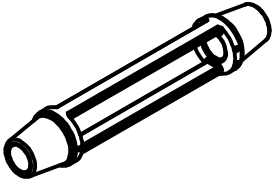
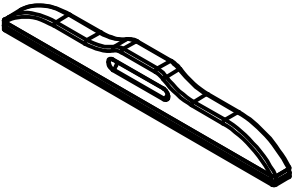
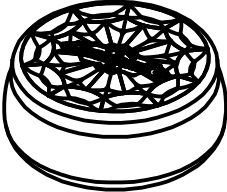
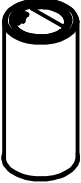
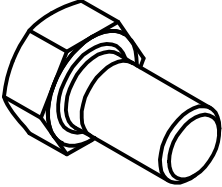


CANTON SHUFFLEBOARD





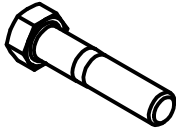
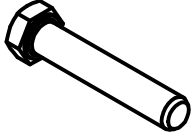



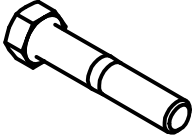
www.brunswickbilliards.com
SERVICE DEPARTMENT, P.O. BOX 68, BRISTOL, WI 53104
EMAIL: BRUNSWICKSERVICE@BRUNSWICKBILLIARDS.COM

CANTON SHUFFLEBOARD

 <p>CABINET HALF(2)</p>	 <p>LEG POST ASSY(6)</p>	 <p>PLAY FIELD(1)</p>	 <p>SHORT END STRETCHER(2)</p>
 <p>SHORT CENTER STRETCHER(1)</p>	 <p>RH STRETCHER BAR(2)</p>	 <p>LH STRETCHER BAR(2)</p>	 <p>STRETCHER TURNBUCKLE(1)</p>
 <p>BOARD SWEEP(1)</p>	 <p>WEIGHTS-RED(4)BLACK(4)</p>	 <p>SHUFFLEBOARD WAX(1)</p>	 <p>HEX HEAD BOLT 7/8-9UNC X 1 1/2(2)</p>

PACKAGE CONTENTS CONTINUED

CANTON SHUFFLEBOARD

 <p>CUSTOM WASHER .78 ID X 2.5 OD(2)</p>	 <p>CUSTOM WASHER 1.06 ID X 2.5 OD(4)</p>	 <p>HEX BOLT, 3/8-16UNC X 1 3/4(6)</p>	 <p>HEX BOLT, 3/8-16UNC X 2 1/4(24)</p>
 <p>FLAT WASHER, 3/8(32)</p>	 <p>SPRING LOCK WASHER, 3/8(32)</p>	 <p>WOOD DOWEL, 3/8 X 1(8)</p>	 <p>HEX BOLT, 3/8-16UNC X 2(2)</p>

CANTON SHUFFLEBOARD

LEG & SHORT STRETCHER ASSEMBLY(END & CENTER):

Step 1: Assemble (2)legs and (1)short end stretcher using (2)3/8-16 x 1 3/4 hex head bolt, (2) 3/8 flat washer, and (2)3/8 split lock washer as shown in FIGURE 1.(END ASSEMBLY)

Step 2: Repeat Step 1 for second assembly.(END ASSEMBLY)

Step 3: Assemble (2)legs and (1)short center stretcher using (2)3/8-16 x 1 3/4 hex head bolt, (2) 3/8 flat washer, and (2)3/8 split lock washer as shown in FIGURE 2.(CENTER ASSEMBLY)

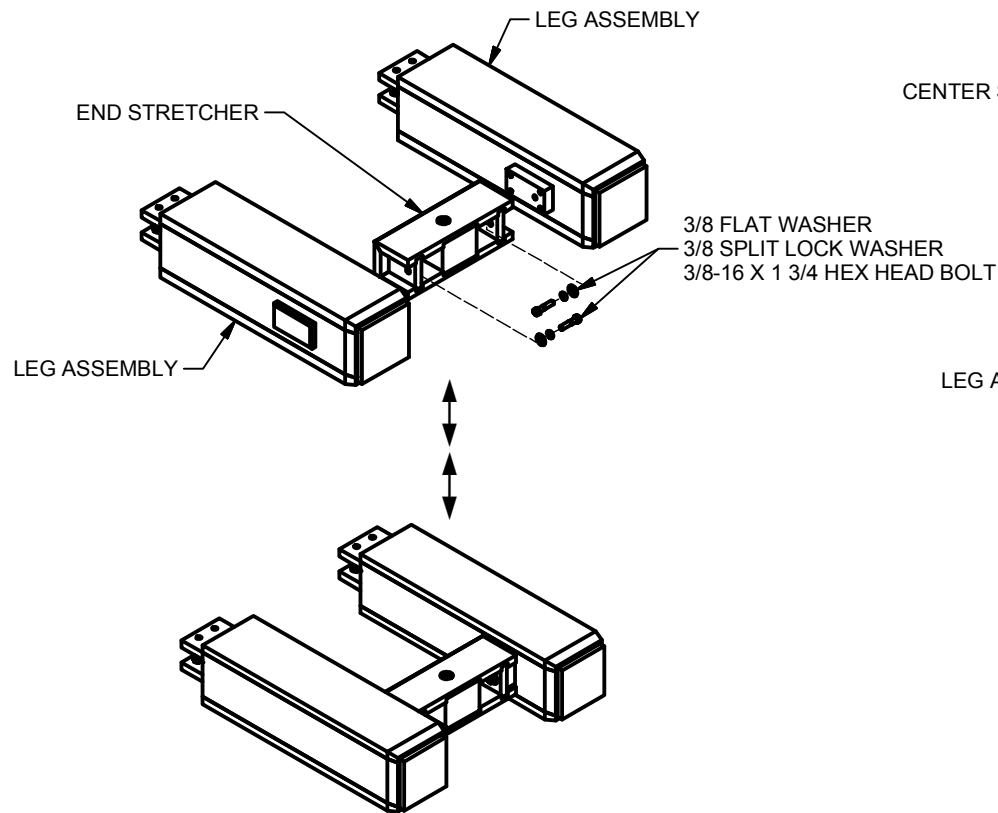


FIGURE 1
END ASSEMBLY

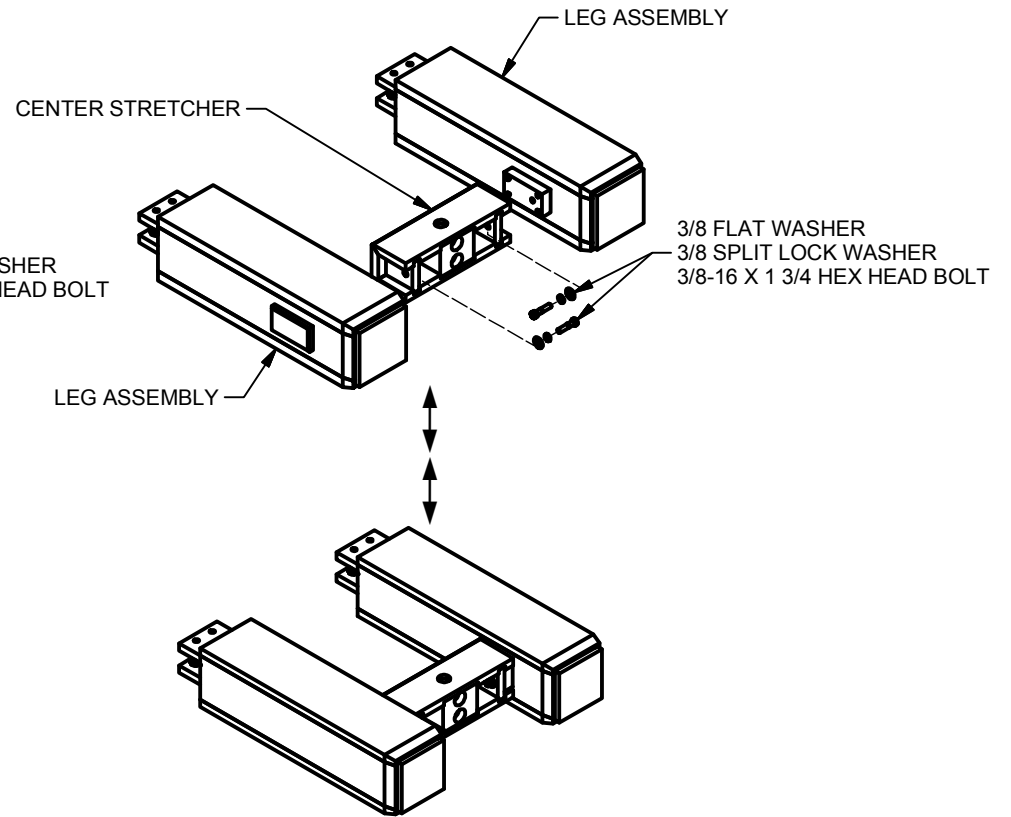


FIGURE 2
CENTER ASSEMBLY

CANTON SHUFFLEBOARD

CABINET ASSEMBLY:

- Step 1: Place each cabinet half upside down inline near the final unit location.
(Use protective material, such as shipping blankets, between cabinet and floor)
- Step 2: Insert wood dowels into dowel holes on one cabinet half and slide the cabinet halves together. **(See Figure 3)**

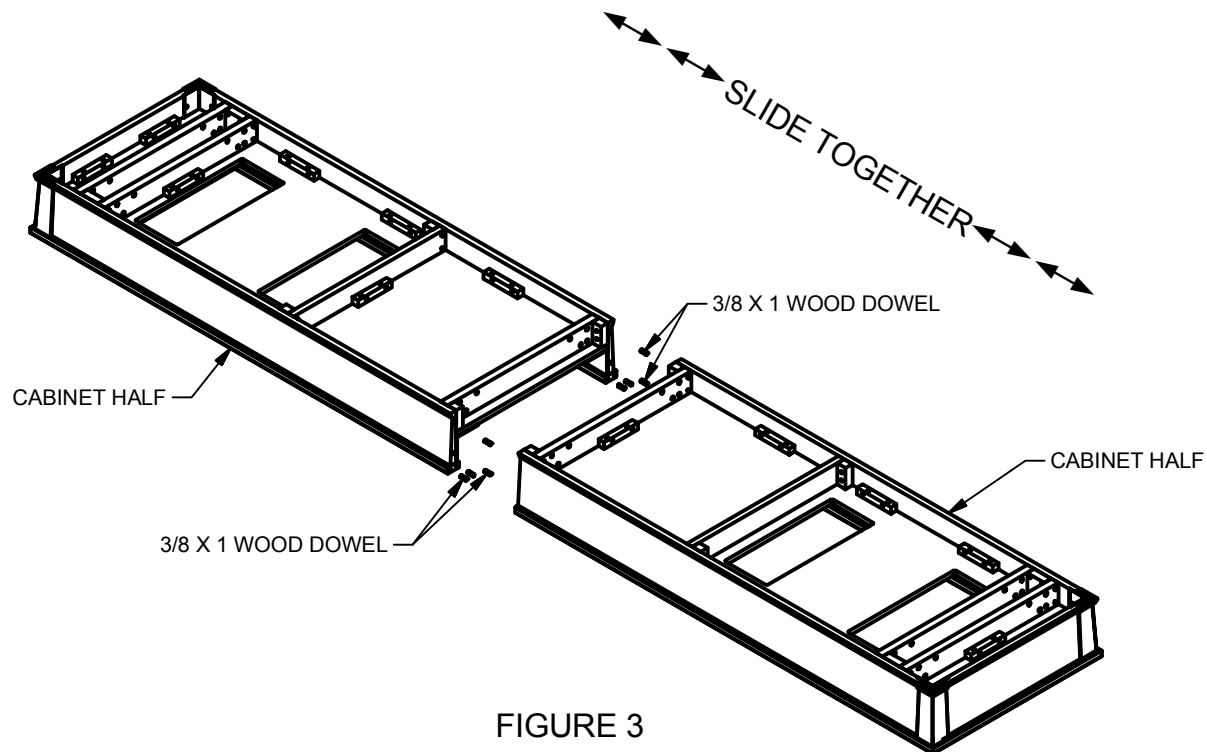


FIGURE 3

CANTON SHUFFLEBOARD

CABINET ASSEMBLY CONTINUED:

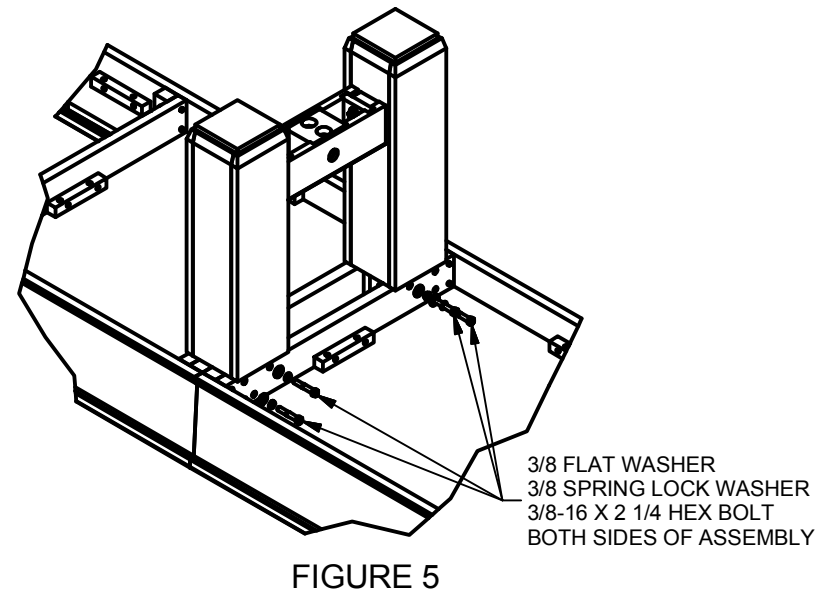
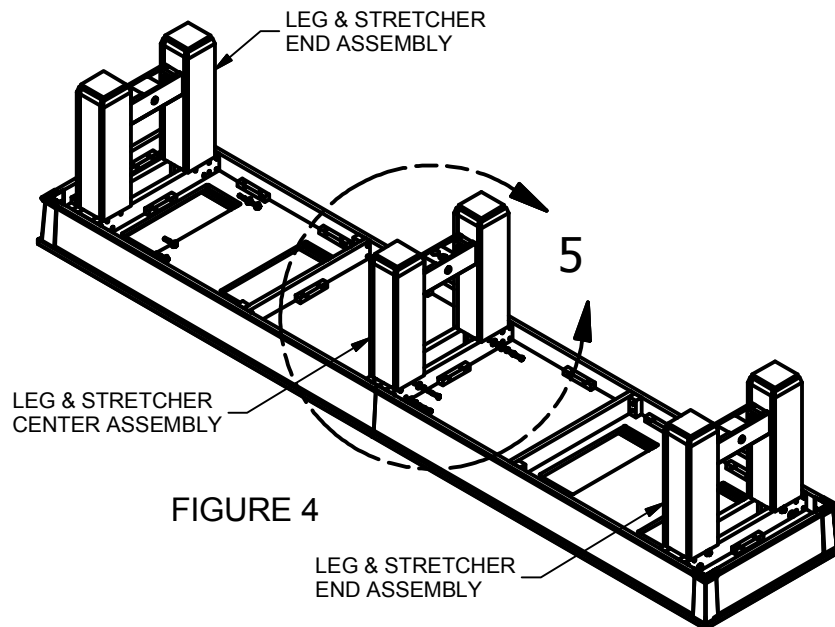
Step 1: Place each previously assembled end leg/stretcher assembly into the cavity at each end.

Securely attach the assembly in place using (8)3/8 flat washers, (8)3/8 spring lock washers, and (8)3/8-16 x 2 1/4 hex bolts.
(See Figure 4)

Step 2: Place the previously assembled center leg/stretcher assembly into the cavity at the center, where the two cabinet halves come together.

Securely attach the assembly in place using (8)3/8 flat washers, (8)3/8 spring lock washers, and (8)3/8-16 x 2 1/4 hex bolts.
(See Figure 5)

Step 3: Check all fasteners and make sure all have been tightened properly. **(DO NOT OVER TIGHTEN BOLTS!)**



CANTON SHUFFLEBOARD

CABINET ASSEMBLY CONTINUED:

- Step 1: Carefully insert the stretcher bar assembly end with cross threaded hole into the center short stretcher. At the same time positioning the opposite end of the stretcher bar assembly in-line with the mating hole in the end stretcher.
- Step 2: Once the stretcher assembly is aligned, begin to lengthen the stretcher bar assembly by turning the bars and unthreading them from the turnbuckle until the center end is fully engaged and the opposite end extends into the mating hole.
- Step 3: Turn the LH stretcher bar at the center stretcher and align the cross threaded hole with the mating hole in the center short stretcher. Securely attach using (1) 3/8-16 x 2 hex head bolts, (1) 3/8 flat washers, and (1) 3/8 split lock washers. Once the LH stretcher bar is securely attached, thread the turnbuckle until approximately 2 3/8 threaded bar remains in the window of the turnbuckle.
- Step 4: Holding the turnbuckle in place, turn the RH stretcher bar out of the turnbuckle until the custom washer is tight against the end stretcher. Securely fasten the RH stretcher bar through the short end stretcher using (1) 7/8-9UNC hex head bolt and (1) .78 ID x 2.5 OD custom washer.
- Step 5: Repeat Steps 1 through 4 for the second stretcher bar.
(See **Figure 6**)

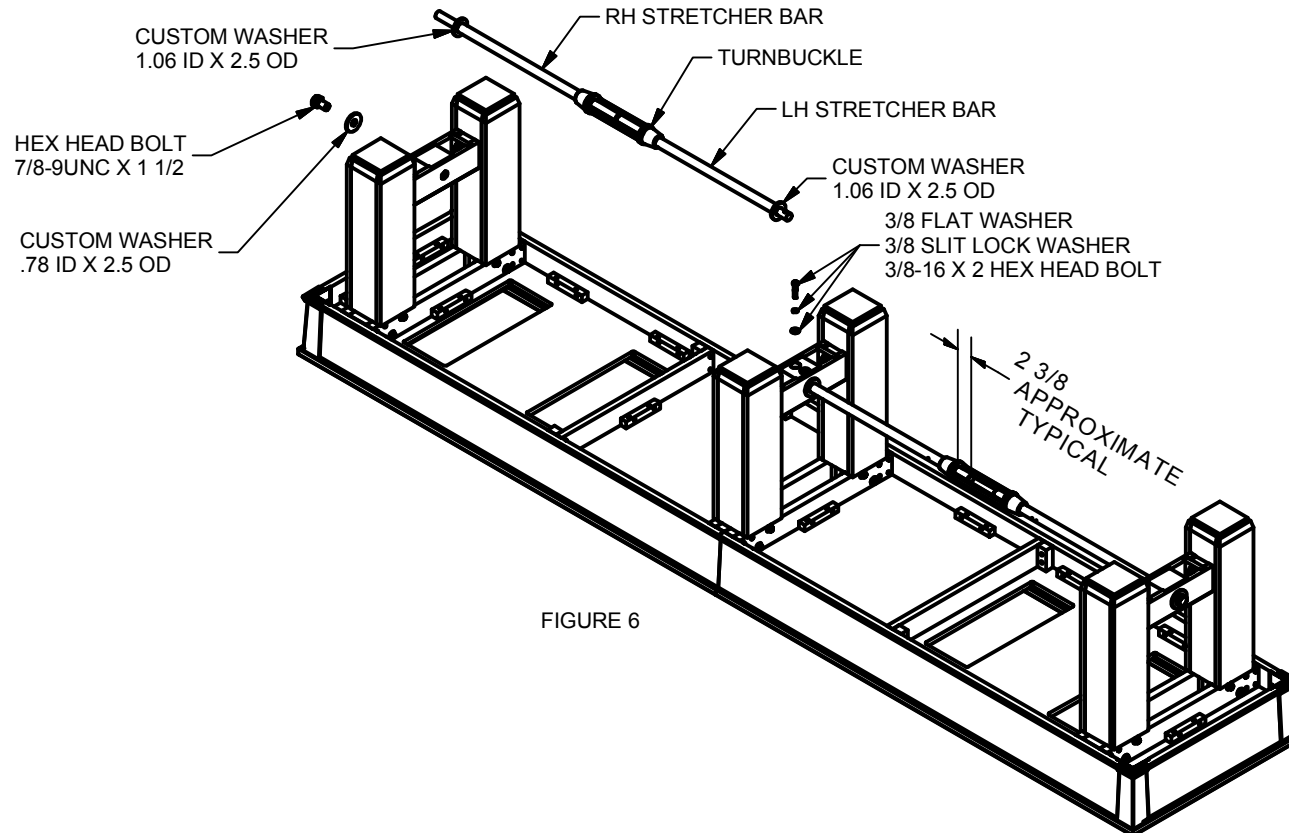


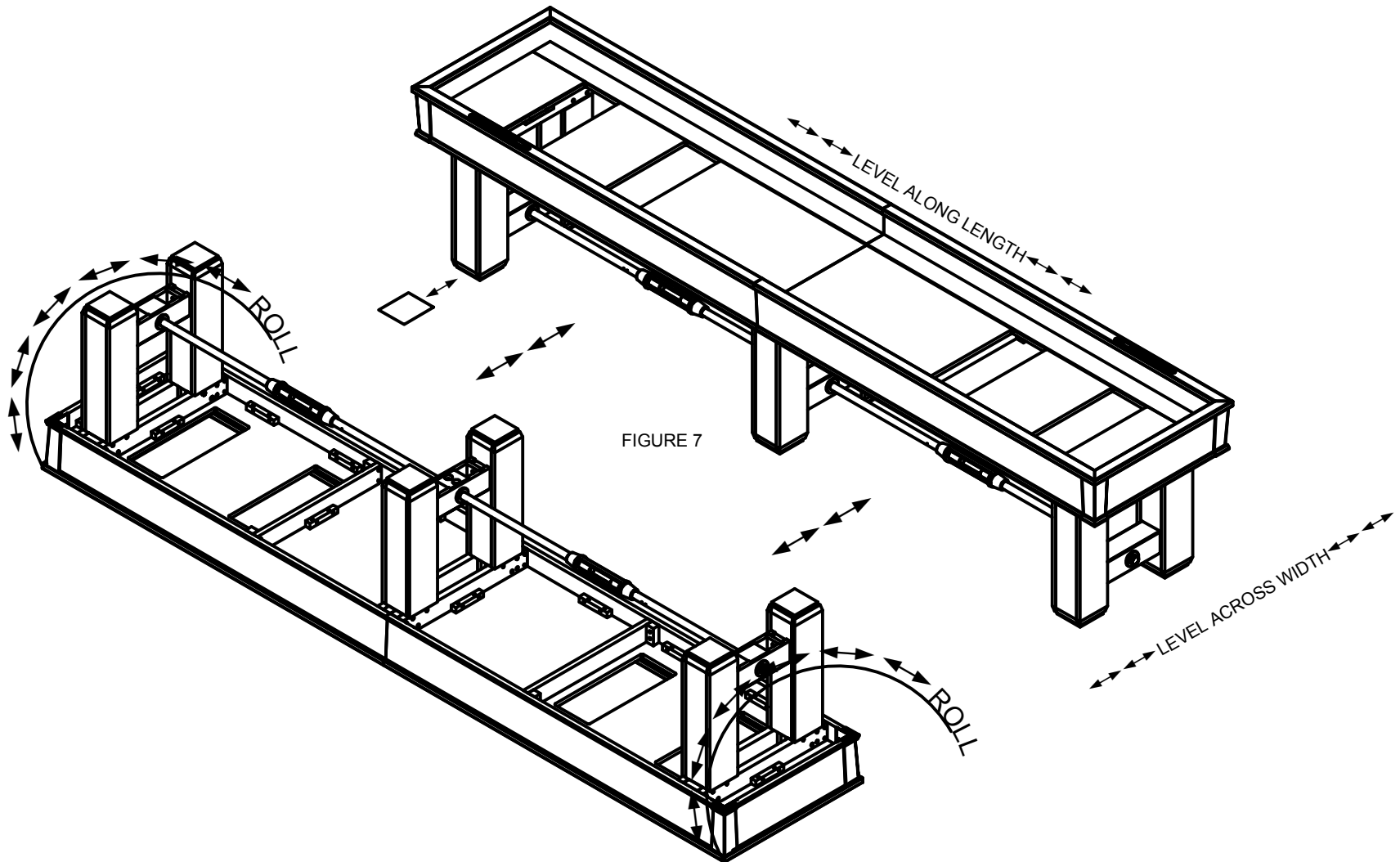
FIGURE 6

CANTON SHUFFLEBOARD

CABINET PLACEMENT & LEVELING:

Step 1: Using two people, carefully roll cabinet into an upright position and place in the final unit location.

Step 2: Using a bubble level, place wood shims(NOT INCLUDED) under legs as needed, level the cabinet across width and along the entire length.
(See Figure 7)



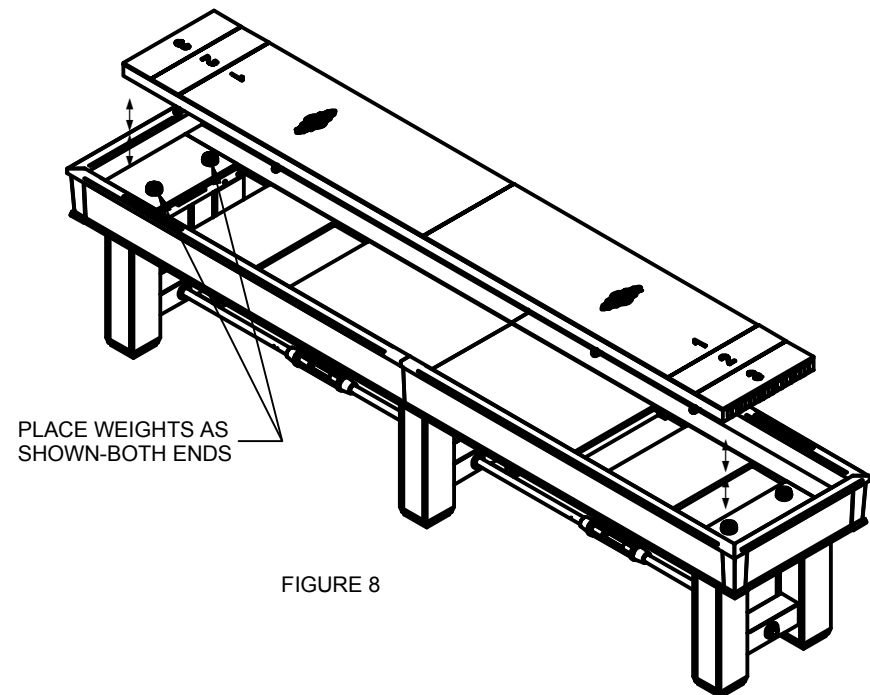
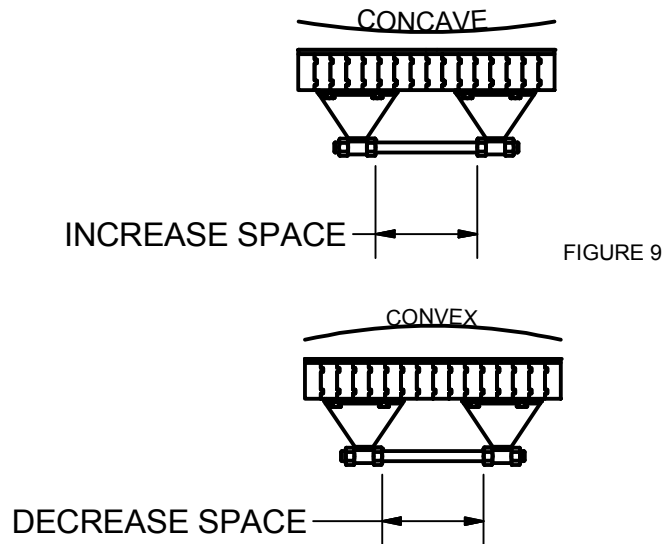
CANTON SHUFFLEBOARD

PLAY FIELD PLACEMENT & ADJUSTMENT:

- Step 1: Place play field into the cabinet. For best results use weights, two on each end, to rest the play field on and prevent injury. Lift each end from under the cabinet, one end at a time, and remove the weights. Center the play field within the cabinet equally along length and across width. **(See Figure 8)**
- Step 2: Using the climate adjusters attached to the bottom of the play field, create a concave condition across the width of the play field along the entire length. This is recommended for proper play. **(See Figure 9)** (Check with a straight edge across width at each climate adjuster. A sheet of paper should go under at the center of the straight edge when properly adjusted)
- Step 3: After adjustment, check that the play field is level in both directions and along the entire length. Use wood shims (NOT INCLUDED) under cabinet legs to achieve a level play field.

PLAY SURFACE PREPERATION:

- Step 1: Wipe the entire surface clean with a soft clean cotton cloth and apply a light coat of fine mist silicone spray (NOT INCLUDED). Allow the silicone to settle for 10 minutes.
- Step 2: Apply an even covering of shuffleboard wax to the play surface and allow to rest for another ten minutes. Apply additional wax in areas that appear dry as needed.
- Step 3: Let the game begin, **ENJOY!** See page 10 for Rules of Play.



CANTON SHUFFLEBOARD

BASIC RULES OF PLAY:

1. Object of the game is to score more points than your opponent by either knocking their weights off the play surface or by sliding your weights into a higher scoring zone. A typical game, singles or partners, is played to 15 points.
2. A coin toss determines who will shoot first, and thus, who gets the hammer. The hammer is the person or team that shoots last. It is considered advantageous to have the hammer. The winner of the coin toss normally takes the hammer and the loser gets to pick the color of weights they will use during play.
3. Player A (loser of coin toss) begins by shooting one weight. Player B then shoots one weight, and play alternates as such, until Player B shoots the last weight (hammer).
4. After all weights have been played, the players determine who scored by counting only the weights of a single color that are closest to the end of the play surface. A weight must be completely inside a score zone to receive the points in that zone.
5. The player or team that scores in each frame must shoot first in the next frame. This process is repeated until a player or team reaches 15 points for the win.

MAINTENANCE/CLEANING:

1. Remove household dust with a soft, dampened cloth. Dust in the direction of the wood grain to prevent noticeable scratches from dust particles. For more thorough cleaning, a solution of mild soap or oil soap for wood is recommended. Spray furniture waxes and polishes are not necessary and can cloud the furniture finish.
2. Wood furniture should not be exposed to extreme heat or humidity. Avoid placing your furniture near vents, radiators, fireplaces or air conditioning units. To protect your finish against fading, avoid exposure to direct sunlight.
3. Using the provided board sweep, push away the shuffleboard wax into the gutter with a sweeping motion down the length of the play surface. The wax can then be removed using a vacuum. Apply a fresh coat of silicone and shuffleboard wax per steps on page 7. This should be done monthly under regular usage and more often under heavy play.
4. Throughout the year your shuffleboard may react to temperature and/or humidity changes. When cleaning the play field, check to insure the play field is still in a concave condition. If the play field needs adjustment, follow the steps in the instructions on page 6.
5. When moving your assembled shuffleboard to a new location, dismantle and reassemble in that new location. Moving completely assembled shuffleboard units can crack and/or split wood components or cause personal injury.