

Shuffleboard Playfield Adjustments

Tools Required:

- Framing Square
- Adjustable Wrench
- Piece of Paper
- Shuffleboard Accessories (Pucks and Powder)

Time Required:

30 minutes to adjust a playfield

The #1 rule of installing a shuffleboard playfield is there is no such thing as a “level” playfield. The most common misconception about a shuffleboard table is that the playfield should be flat. Shuffleboard playfields are designed to be concaved, increasing possible shot angles and creating “go around” shots. The degree of concavity on the playfield is largely personal preference but these instructions will illustrate how to increase the concavity or decrease it. There is no level, machinist level, etc. required to properly adjust a shuffleboard for game play

(After the cabinet is assembled)

Step #1: Ensuring the playfield is concaved

Once the playfield is positioned inside the cabinet, this is the first and most important step. Ideally the playfield will be lower in the middle than the outside edges, which means it is Concaved.

This is determined by using the framing square and a piece of paper. Starting at one end or the other end, place the edge of the Framing Square across the shuffleboard playfield, above the first climatic adjuster. If:

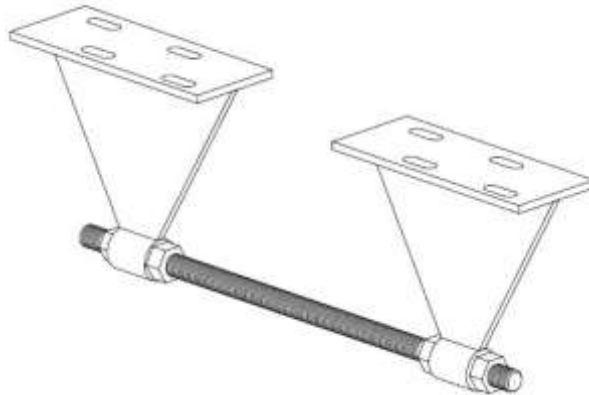
- A. Concaved scenario – (image below) Place the corner of a sheet of paper under the framing square. If the paper slides freely from side to side, stopping as it approaches the edge, this indicates the playfield is concaved over that climatic adjuster. Move down the playfield to the next climatic adjuster and repeat the process.



- B. Convex scenario (image below) - If the Framing Square is rocking from side to side, that indicates the playfield is convex (higher in the middle than on the sides) and the climatic adjuster needs to be adjusted. Access to the climatic adjusters is under the shuffleboard.



The climatic adjuster consists of 2 mounting brackets, 1 all-thread rod connecting those brackets and 4 nuts on the all-threaded rod for adjustment purposes



To lower the middle of the playfield board and raise the sides to create the desired concave playfield, the two brackets must be pushed apart. This is done by loosening the two outside nuts and tightening the inside nuts. This pushes the two brackets apart thus lowering the middle of the playfield and raising the outsides. Periodically check the top side of the playfield to see if the paper begins to move freely under the framing square. Continue to adjust the playfield until the paper begins to move. At that point stop and move to the next climatic and begin the process again.

Once all climatic adjusters have been checked and the playfield is concaved move to Step #2.

Step #2 Final Adjustments

Once you have adjusted the playfield so it is concave through the entire length of the board, it is time to start pushing pucks. By pushing pucks down the board, the playfield will identify any low corners by the puck's movements. Sprinkle some shuffleboard powder on the entire playfield before starting.

Starting at one end of the playfield, start pushing pucks toward the other end. With the playfield being concaved the pucks should slide down the playfield curving in toward the center of the playfield. If they are sliding towards the center that end is good and do the same procedure at the opposite end.

If the pucks are drifting towards one corner that means that particular corner is lower. To raise that corner simply shim that leg with playing cards or stock shims or raise that leg leveler if the table has leg levelers. Go back and push some more pucks and shim until the pucks are all sliding towards the numbers. Once you have both ends sliding towards the numbers you are done.

IMPORTANT NOTES TO REMEMBER WHEN ADJUSTING CLIMATICS

- If you are using a framing square that covers the entire width of the playfield, the paper should stop 2-3 inches from the outside edges of the playfield. This is not an exact specification but a good rule of thumb.
- Adjusting climatics is similar to how braces function on teeth. Adjustments made today will continue to move and adjust the board over the next 3-4 days, depending on the climate and humidity level of the room. Always stop short of the ideal end result because the playfield will continue to move over the next few days.
- A playfield will NEVER be perfectly flat, nor should it be. Shuffleboard professional tournaments are played on 5-10 thousandths concavity.
- Severely convexed playfields may not be adjustable on the first try. If the playfield is severely convexed it may take a few adjustment periods to correct it and make it concaved. This is rare

but possible. When the climatic gets hard to turn, immediately stop turning it to avoid permanently damaging or breaking the playfield. As mentioned previously, the adjusters will gradually move the board so it is best to be patient, even if it means going back a few days later for additional adjustment

- Playfields are made of wood so they are going to have their own characteristics based on species as well as the climate and humidity level within the home. When adjusting and playing shuffleboard, one side or one end of the board is going to play differently from the other side. The puck will break harder off one “rail” (Side of playfield) than the other. That is not a defect, a warranty or an issue with the playfield. No amount of adjustments or shimming will create a perfectly uniform playfield, nor is that something to aspire to.
- When working with a climatic adjuster, it is not necessary to adjust both sides of the same climatic. Tightening one side or the other is all that is needed. Adjusting one side will not raise only that one side...it will cover both sides
- If a playfield is “too concaved” for a customer, simply loosen the inside nut a quarter to one half turn. Because of the top coating, the playfield wants to become convexed so simply loosening the pressure of the inside nuts will allow it to become less concaved. It is not necessary to squeeze the climatics with the outside nuts.
- Lastly, the adjusters are called Climatic Adjusters for a reason. As the seasons change, the playfield will react differently and might need to be adjusted. This is considered regular maintenance of a shuffleboard. It is not considered warranty work. It is no different than changing the oil in a vehicle, the manufacturer and dealer are not responsible for changing the oil in vehicles every 5,000 miles. That responsibility is the owner of the vehicle and is a service they can perform themselves or pay someone to do it, if they so choose