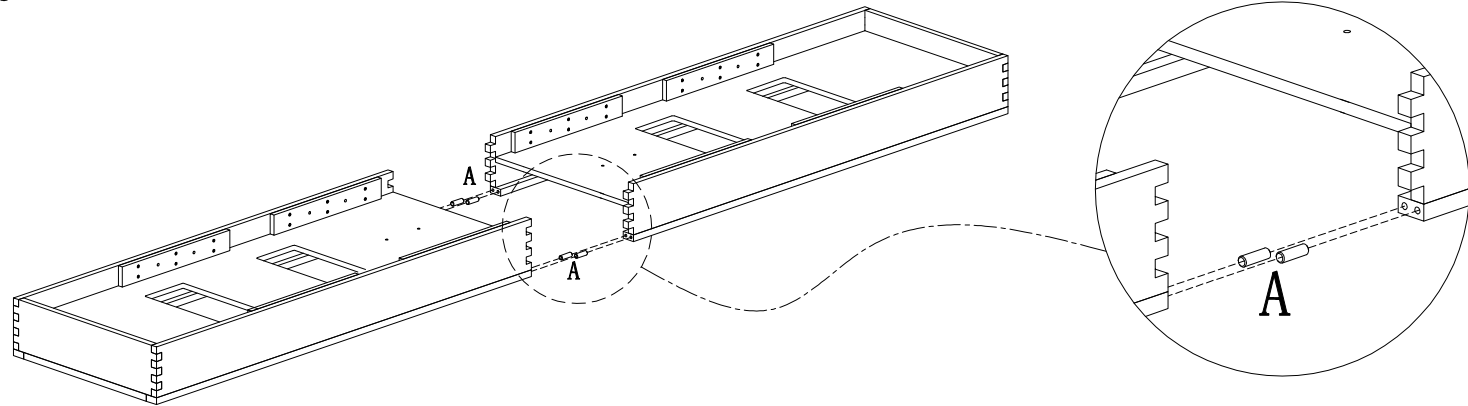


# AMERICAN HERITAGE-PB SHUFFLEBOARD TABLE-12'

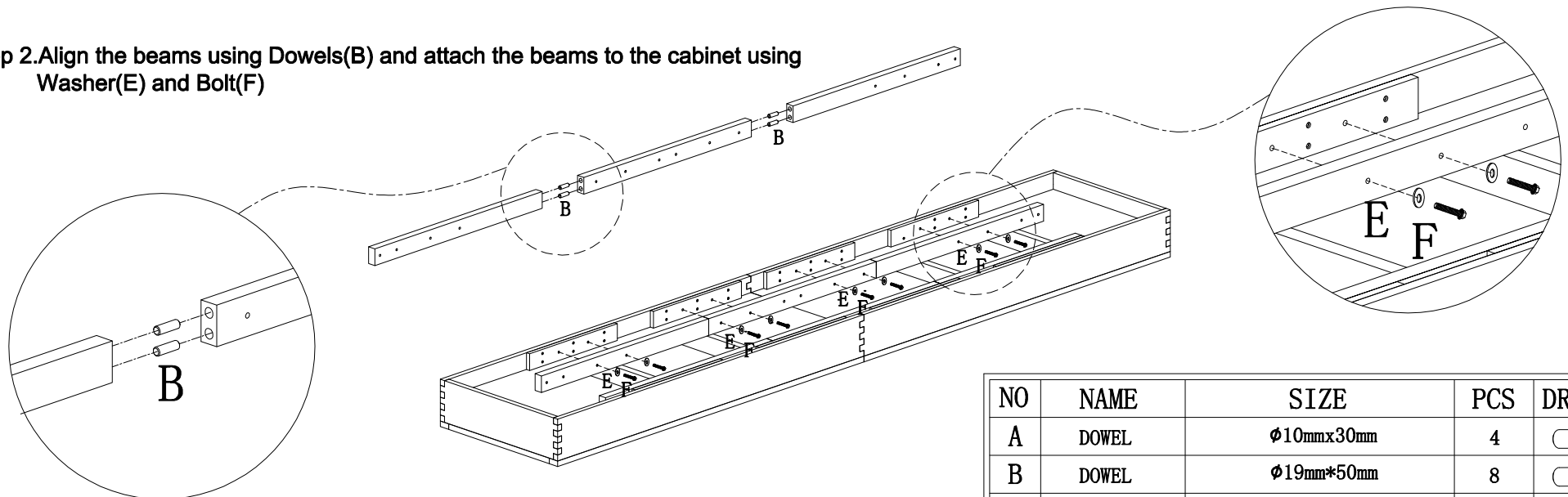
## Assembly Instruction





1/4

Step 1. Lay both cabinet pieces upside down on a cleat flat surface and connect them by using the Dowels(A) and lining up the interlocking finger joints on each end of the cabinets



Step 2. Align the beams using Dowels(B) and attach the beams to the cabinet using Washer(E) and Bolt(F)

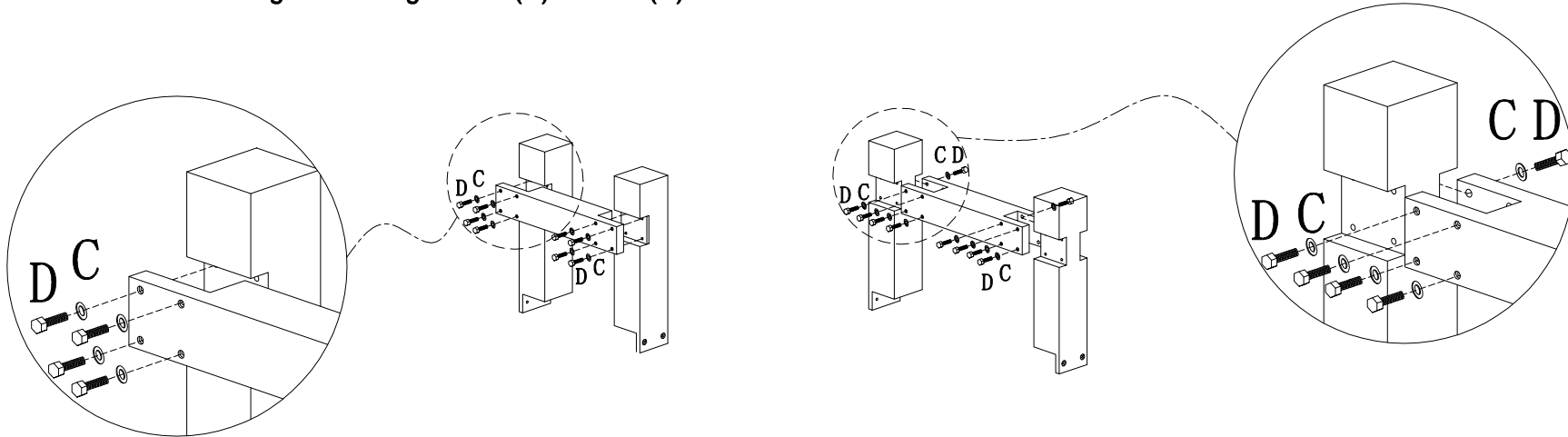


NO	NAME	SIZE	PCS	DRAW
A	DOWEL	Ø10mmx30mm	4	
B	DOWEL	Ø19mm*50mm	8	
E	WASHER	Ø <sup>5</sup> / <sub>16</sub> " x 3/4" X 2mm	16	
F	FLANG BOLT	Ø <sup>5</sup> / <sub>16</sub> " X 2-1/4"	16	

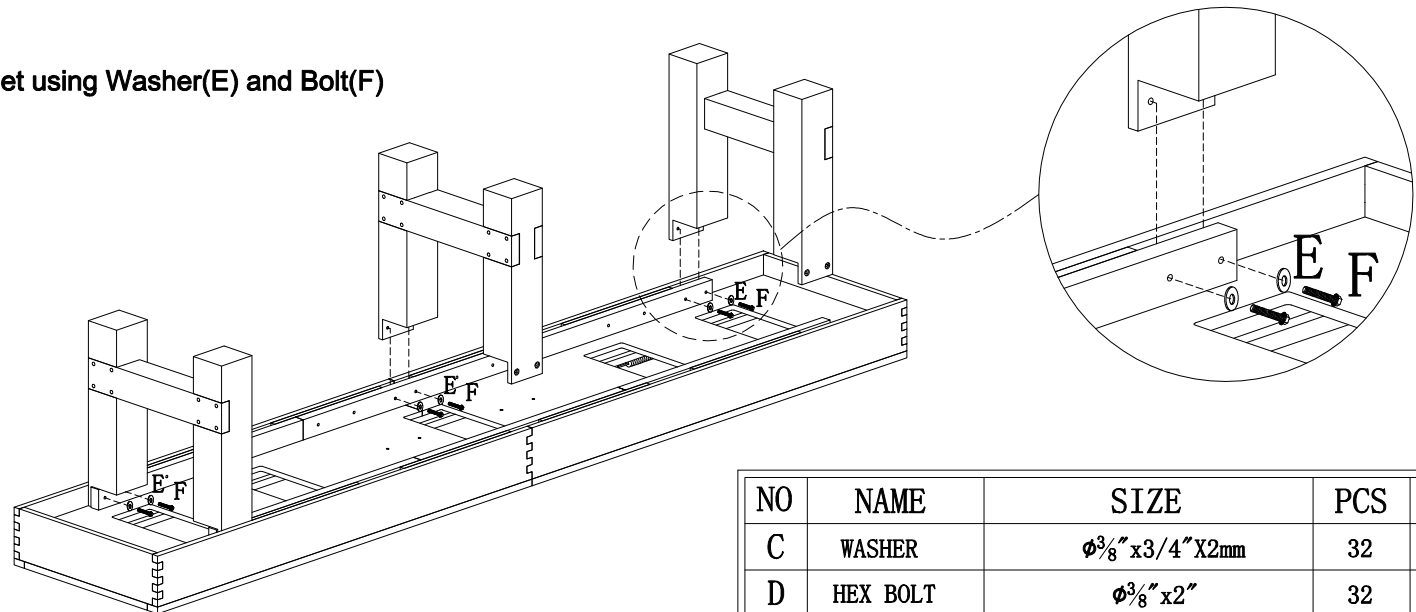
# AMERICAN HERITAGE-PB SHUFFLEBOARD TABLE-12'


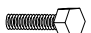


## Assembly Instruction

Step 3.Pre-assemble each leg stand using Washer(C) and Bolt(D)



Step 4.Attach each leg stand to the cabinet using Washer(E) and Bolt(F)



NO	NAME	SIZE	PCS	DRAW
C	WASHER	$\phi\frac{3}{8}$ "x3/4"X2mm	32	
D	HEX BOLT	$\phi\frac{3}{8}$ "x2"	32	
E	WASHER	$\phi\frac{5}{16}$ "x3/4"X2mm	12	
F	FLANG BOLT	$\phi\frac{5}{16}$ "X2-1/4"	12	

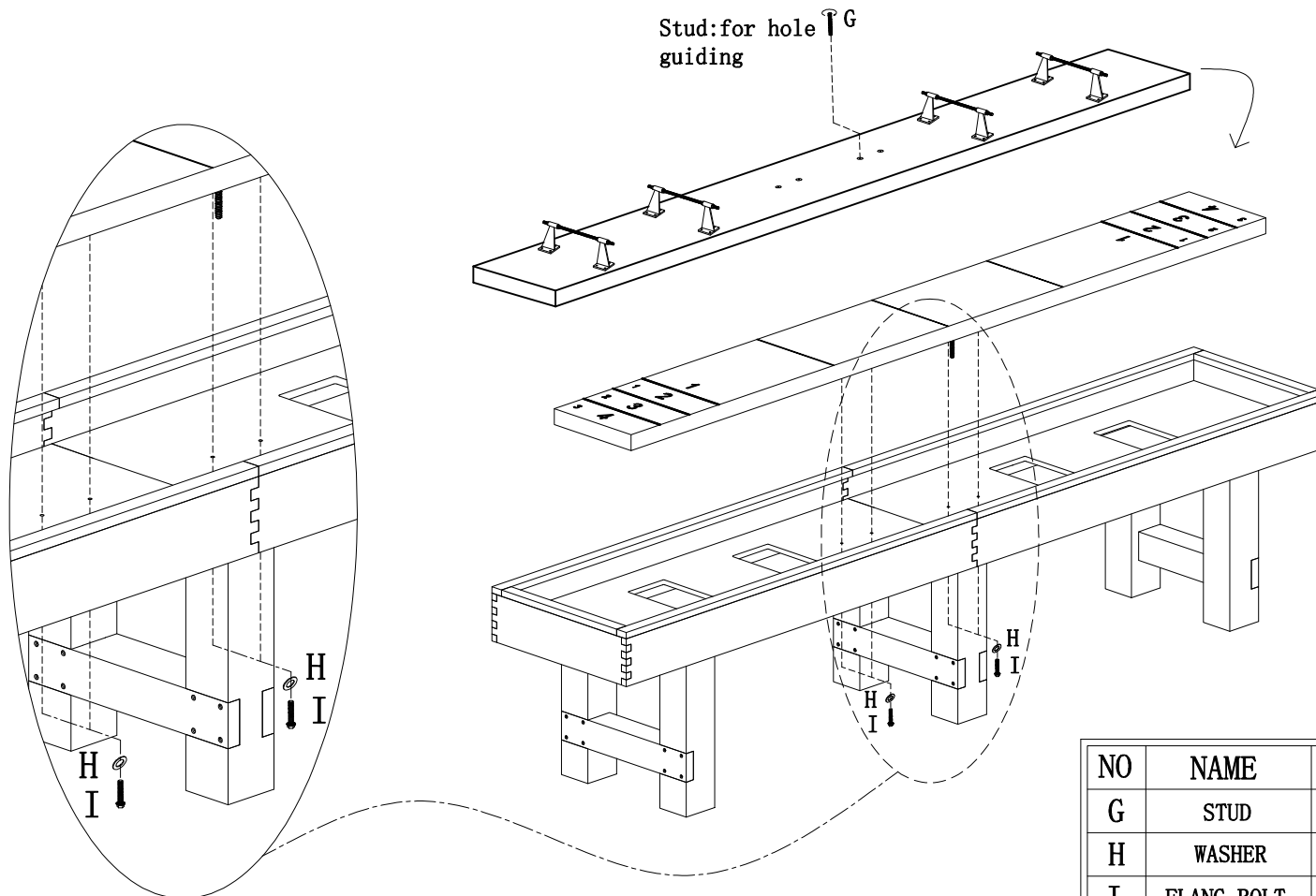
# AMERICAN HERITAGE-PB SHUFFLEBOARD TABLE-12'




## Assembly Instruction

Step 5. Using 2 or more strong adults, carefully turn the cabinet right side up

Step 6. Using 2 or more strong adults, carefully place the playfield in the cabinet and center it by measuring the distance from the playfield to the cabinet on all four sides

Step 7. Secure the playfield to the cabinet using Washer(H) and Bolt(I)

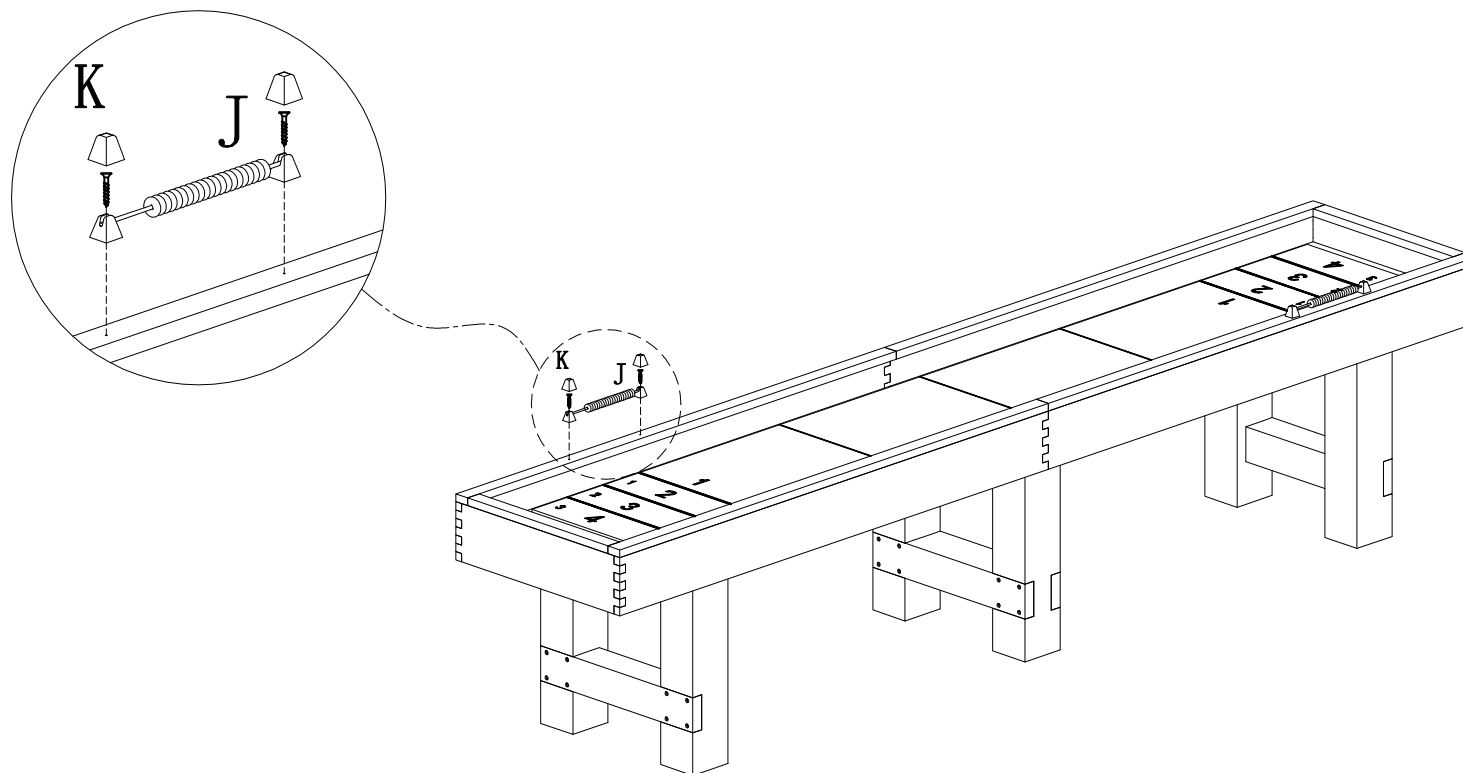


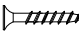

NO	NAME	SIZE	PCS	DRAW
G	STUD	$\phi\frac{1}{4}$ "X3"	1	
H	WASHER	$\phi\frac{1}{4}$ "X5/8"X2mm	4	
I	FLANG BOLT	$\phi\frac{1}{4}$ "X1-3/4"	4	

# AMERICAN HERITAGE-PB SHUFFLEBOARD TABLE-12'

## Assembly Instruction

Step 8. Attach the manual scoring units to the cabinet using Screw(J)



NO	NAME	SIZE	PCS	DRAW
J	SCREW	#6X1"	4	
K	SCORE UNIT		2	