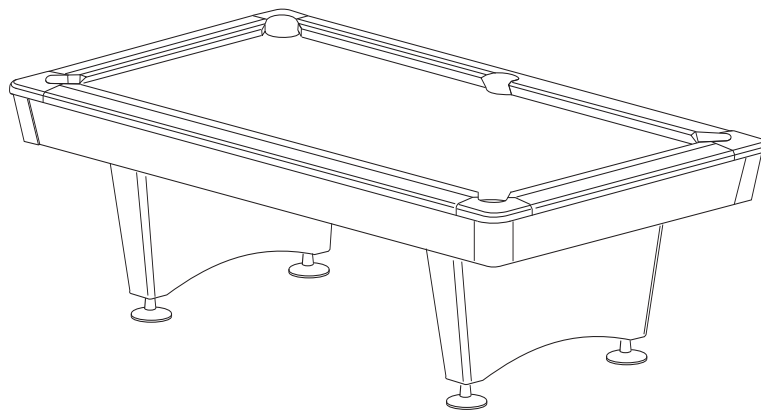


Black Wolf II™



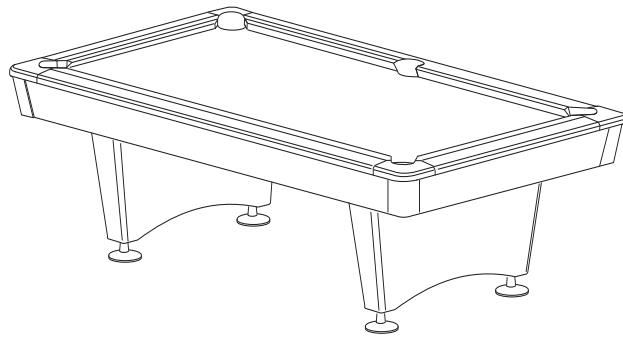
POCKET BILLIARD TABLE INSTALLATION MANUAL



www.brunswickbilliards.com

SERVICE DEPARTMENT P.O. BOX 68 BRISTOL, WI 53104
EMAIL: BRUNSWICKSERVICE@BRUNSWICKBILLIARDS.COM

NOTE: Please use the instructions in this manual to assemble the tables shown below. Illustrations may be different depending on the table being assembled. Also note that careful handling of *all* components will assure damage-free assembly.



BASE FRAME AND LEG ASSEMBLY

BLACK WOLF II

FIGURE ONE

Step #1: Securely attach leg panels to leg posts using #8 x 1-1/2" truss head screws.

Step #2: Repeat *Step #1* to create second leg assembly.

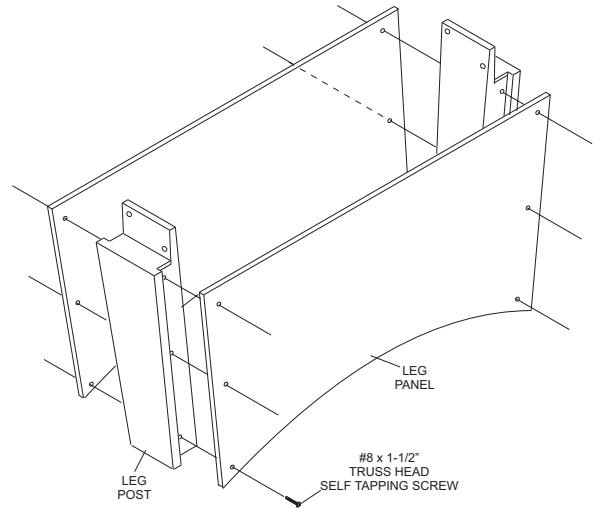


FIGURE ONE

FIGURE TWO

Step #3: Loosely attach the two side sills to the two end sills and two cross supports with 5/16-18 x 2-1/2" truss head machine screws, 5/16 flat washers and 5/16-18 threaded nut plate. Attach a center support beam between the middle two cross supports using the same hardware.

Step #4: Securely attach the two slate attach cleats to each end sill with 5/16-18 x 3-1/2" hex head bolts, 5/16 flat washers, 5/16-18 hex nuts

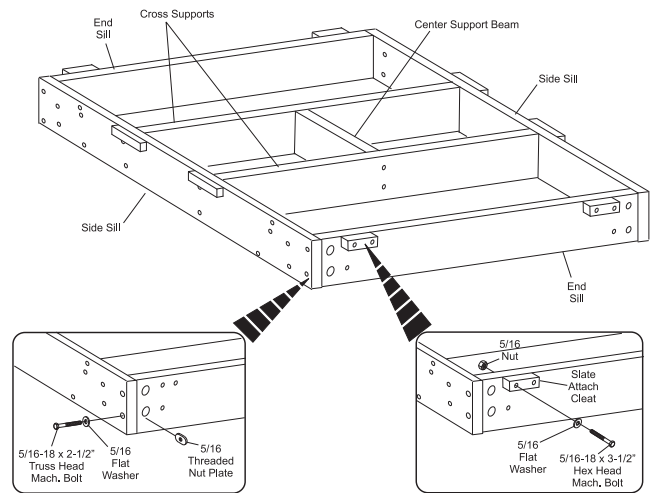


FIGURE TWO



BASE FRAME AND LEG ASSEMBLY (CONTINUED)

BLACK WOLF II

FIGURE THREE

Step #5: Position the two leg assemblies approximately the length of the base frame.

Step #7: Carefully lower the base frame over the legs.

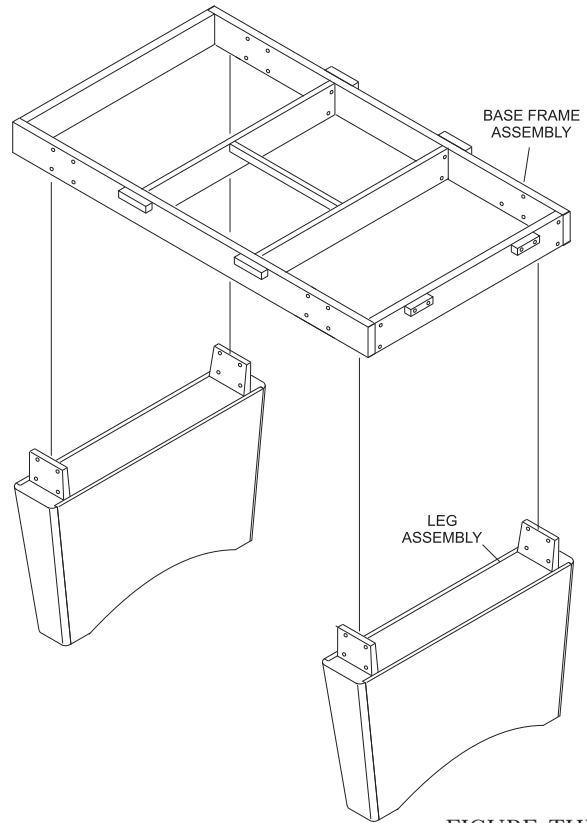


FIGURE THREE

FIGURE FOUR

Step #8: Align the clearance holes in the leg posts with the clearance holes in the side sills and attach securely with 5/16-18 x 3" hex head cap screws, hex nuts and flatwashers

Step #9: Securely tighten all base frame hardware, making sure that all top surfaces are flush.

Step #10: Thread a foot leveler into the bottom of each leg foot.

Step #11: Thread each foot leveler in completely.

Step #12: With table in its permanent location, use a precision level, to locate the highest corner of the base frame. Level the table by adjusting the other three levelers as required.

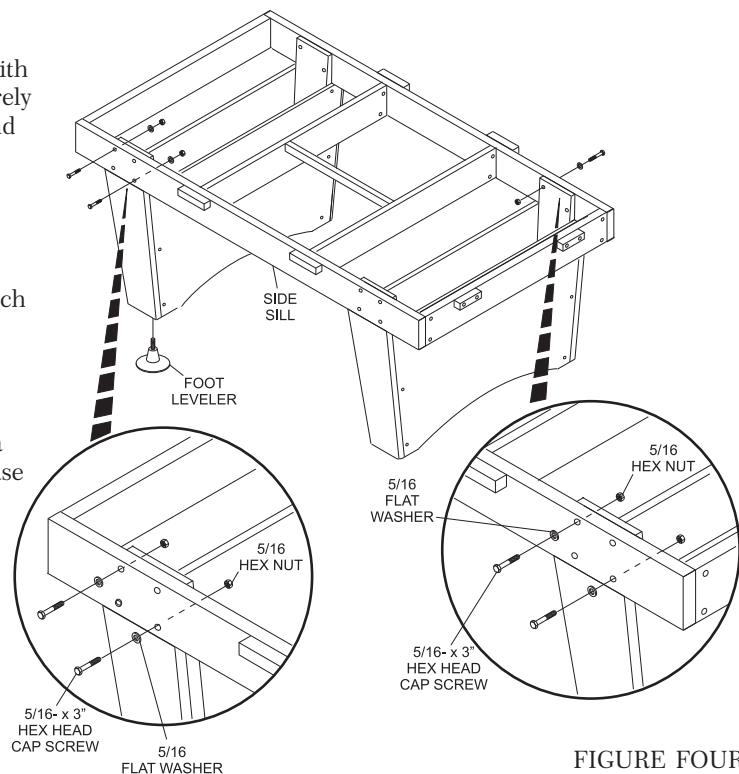


FIGURE FOUR



SLATE ASSEMBLY

FIGURE ONE

Step #1: Position the center slate section evenly between the two base frame cross supports as shown, carefully center the slate section so there is an equal amount of overhang at each side of the base frame.

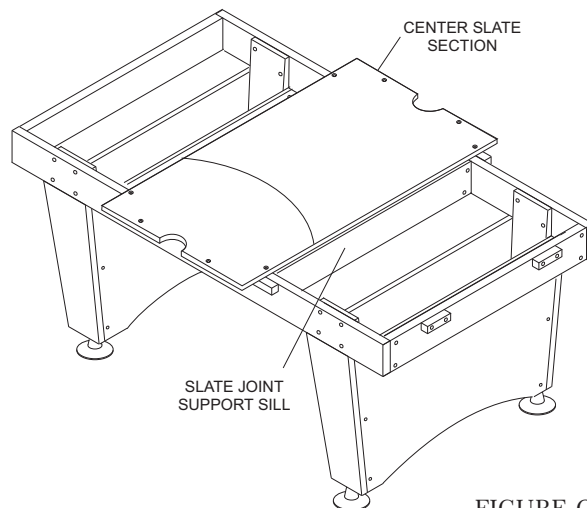


FIGURE ONE

FIGURE TWO

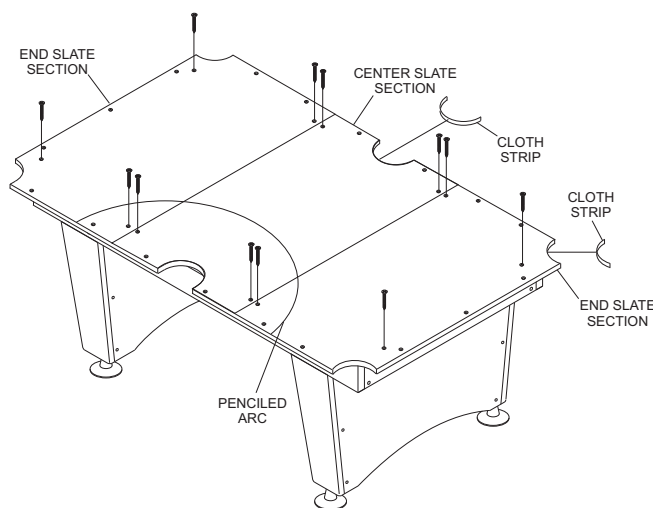
Step #2: Position the two end slate sections on the base frame. Be sure the penciled arc forms a radius. Recheck to be sure the slate has an equal amount of overhang around the base frame.

Step #3: Using the 12 countersink holes in the slate as a template, pilot drill 5/32" diameter holes into the mounting cleats

Step #4: Securely fasten the end slate sections at both ends of the table (4 holes).

Step #5: With a precision tool, level each end slate section by driving wooden slate wedges (provided) between the top of the base frame and bottom of the slate as needed. Keep the wedges as close to the countersink holes as possible.

Step #6: With both end slates perfectly level, shim the center slate section as required to obtain a flush fit at both joints. Then screw center slate down.



Step #7: Slate joints can now be filled with Rock Hard putty or beeswax. Lightly sand or scrape across the joints after grouting.

Step #8: Cut strips approximately 1-1/2" x 8" from the end of the table cloth.

Step #9: Clean top of slate thoroughly with a damp cloth before applying bed cloth.

NOTE: If your table is equipped with a gully system, the gully should be installed at this time. Center and attach the gully to designated foot end of the table as shown. See gully assembly for further instructions.

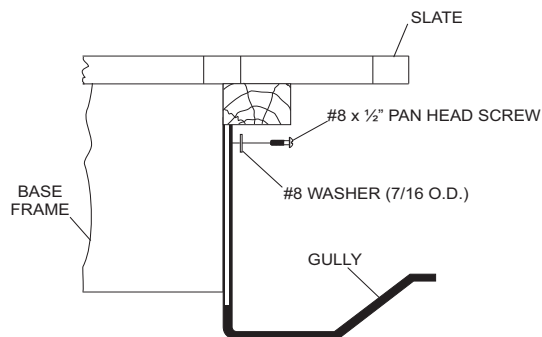


FIGURE TWO



ATTACHING BILLIARD CLOTH TO UNFRAMED SLATE

BLACK WOLF II

Before attaching the billiard cloth, clean slate thoroughly.

FIGURE ONE

Step #1: Lay the bed cloth over the top of the slate, nap side up. Leave an equal amount of cloth overhang at the ends and sides of the slate.

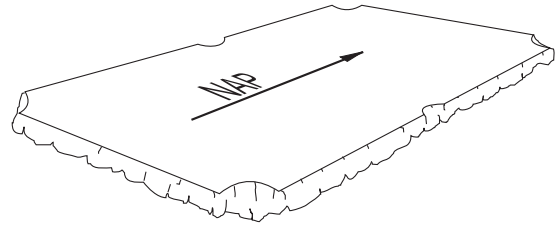


FIGURE ONE

FIGURE TWO

Step #2: At the head end of the table, fold the cloth back away from the edge of the slate and spray a coat of contact adhesive (not included) as indicated by the shaded area of the edge of the slate. Hold the can approximately 4-8" from the area to be coated. Coat the underside of the slate also. Place a piece of protective paper or card board on the top surface of the cloth.

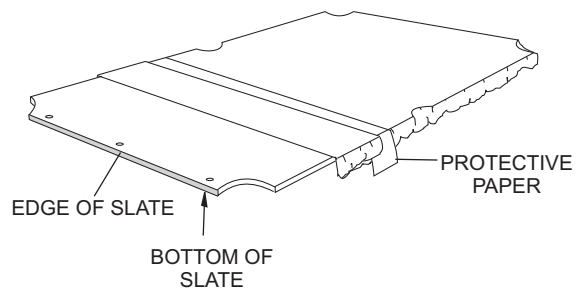


FIGURE TWO

FIGURE THREE

Step #3: Attach the cloth at #1.

Step #4: Stretch the cloth across the table at #2. Fold the cloth overhang underneath the edge of the slate at the end.

Step #5: Fold the cloth back at the foot end of the table and repeat Step 1.

Step #6: Stretch the cloth from #1 to #3 and press into position.

Step #7: Stretch the cloth #3 to #4, pulling from #1 and #2. Press into place.

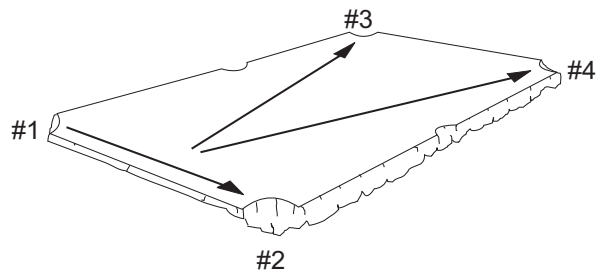


FIGURE THREE

ATTACHING BED CLOTH TO FRAMED SLATE

Before attaching the billiard cloth, clean slate thoroughly.

FIGURE ONE

Step #1: Lay the bed cloth over the top of the slate, nap side up, with the nap running from the head end to the foot end of the table.

NOTE: *In determining the direction of the nap, run your hand lightly over the surface of the cloth. If it meets resistance, it is going against the nap.*

Step #2: Leave only enough cloth overhang at the head end and left side to permit tacking into the wood slate frame. Leave the balance of cloth overhang at the foot end and right side.

NOTE: *Do not spread tacks on the bed cloth. Keep them in a container that slides over the cloth.*

Step #3: Tack or staple the cloth securely to the wood frame at #1 with two tacks or staples approximately 2" apart.

Step #4: Stretch the cloth across the table and tack or staple securely at #2 with two tacks or staples 2" apart.

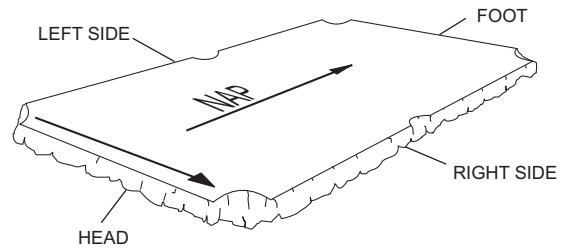


FIGURE ONE

FIGURE TWO

Step #5: Stretch the cloth from #1 to #3 and tack or staple securely into the wood frame at the left side of the table. See Figure B.

Step #6: Stretching the cloth across the table from #3 and pulling from #2, tack or staple the cloth at #4.

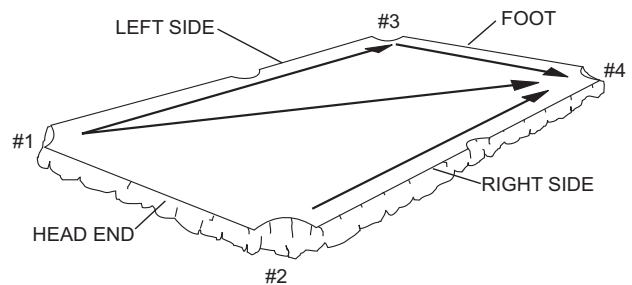


FIGURE TWO

FIGURE THREE

Step #7: On the left side, stretch the cloth tightly from #1 toward the side pocket opening and tack or staple securely at #5.

Step #8: Repeat Step 5, stretching the cloth from #3 and tacking or stapling at #6.

Step #9: On the right side of the table, grasp the cloth firmly and stretch across the table from #5 and toward the side pocket from #2 and tack or staple at #7.

Step #10: Repeat Step 7, stretching from #6 and toward the side pocket from #4 and tack or staple at #8.

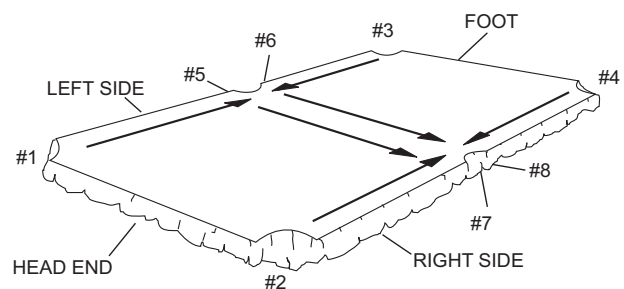


FIGURE THREE



ATTACHING BED CLOTH TO FRAMED SLATE (CONTINUED)

BLACK WOLF II

FIGURE FOUR

Step #11: At location #9, cut a short slit in the cloth at the edge centered on the side pocket opening. Grasp the cloth firmly above this slit, pull the cloth into the side pocket opening and tack or staple to the wood frame. Complete fastening of the cloth to the side pocket opening, making sure the cloth is tacked or stapled to the wood frame.

Step #12: Stretching the cloth tightly across the table from location #9, repeat Step 11 at location #10.

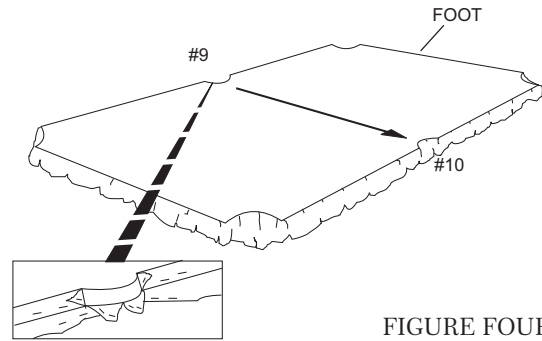


FIGURE FOUR

FIGURE FIVE

Step #13: At the head end of the table, tack or staple the cloth at location #11, maintaining uniform overhang.

Step #14: Pull the cloth from location #11 toward location #12 and tack or staple securely along the wood frame, keeping the cloth even along the head end.

Step #15: Stretch the cloth firmly from location #11 to the foot end of the table and tack or staple at location #13.

Step #16: Stretch the cloth tightly from locations #12 and #13 toward location #14 and tack or staple securely along the wood slate frame.

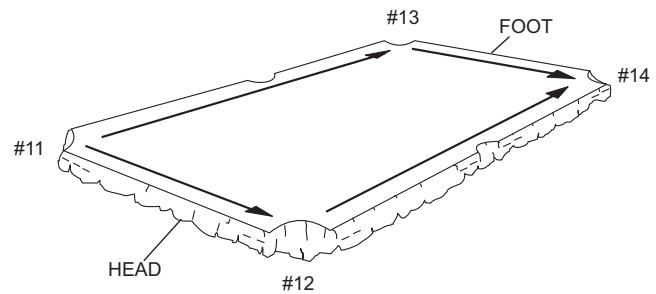


FIGURE FIVE

FIGURE SIX

Step #17: Tack or staple all of the left side on 2" centers keeping the cloth even along the wood frame.

Step #18: Tack or staple the balance of the head end on 2" centers also keeping the cloth even along the wood frame.

Step #19: Stretch the cloth tightly toward the foot end of the table, tacking or stapling on 2" centers along the wood frame at the foot end.

Step #20: Stretch the cloth tightly across the table to the right side, tacking or stapling on 2" centers all the way along the wood frame at the right side.

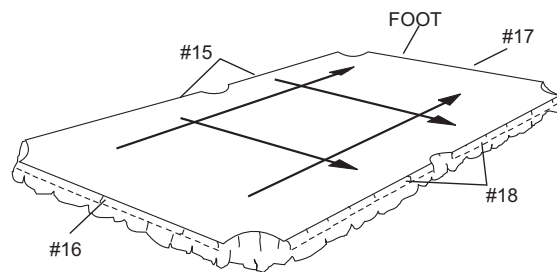


FIGURE SIX

FIGURE SEVEN

Step #21: Stretch the cloth into the corner pocket openings and tack or staple to the wood slate frame.

Step #22: Trim off excess cloth around the perimeter of the slate. Locate the eighteen (18) rail attach holes and cut clearance holes in the cloth with a sharp knife.

NOTE: Occasionally cloth will stretch, leaving wrinkles at the pockets. To retighten, remove apron, one end rail and one side rail. Pull cloth taut, and retack or restaple along the open end and side to restore original tightness.

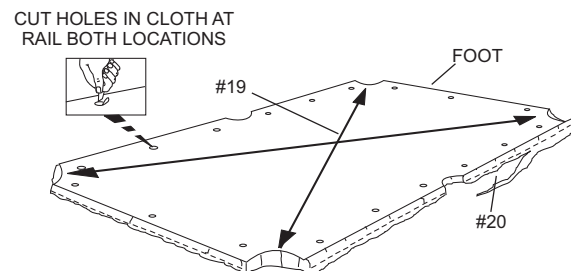


FIGURE SEVEN



ATTACHING RAIL CLOTH

BLACK WOLF II

CORNER POCKET FIGURE ONE

Step #1: Place cloth on rail with the back side down. The cloth should have equal amount of overhang at both ends of rail and extend 1/2" over the featherstrip groove on the cushion side as shown.

Step #2: Except for approximately 3" at end of rail, tap featherstrip down with a tapping block and hammer, starting at center of rail. Stretch cloth tightly toward each end of rail and tap featherstrip down.

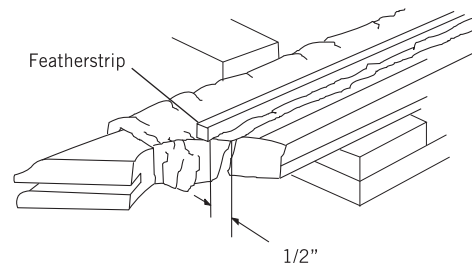


FIGURE ONE

FIGURE TWO

Step #3: At each end of rail, pull the cloth toward the rubber cushion an additional 3/4". Then tap remainder of featherstrip down.

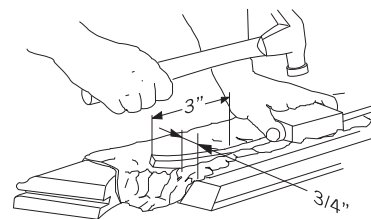


FIGURE TWO

FIGURE THREE

Step #4: Trim the cloth on cushion side of featherstrip along the total length of featherstrip as illustrated.

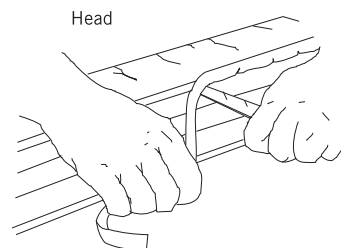


FIGURE THREE

FIGURE FOUR

Step #5: Fold the cloth down over front of rail, then using thumb and forefinger as a guide along front edge of the cushion to keep the tapping block at rear edge of featherstrip, tap the featherstrip down flush with rail surface as shown.

NOTE: Never try to tap a featherstrip flush with just a hammer as you will surely dent the rail surface behind the featherstrip.

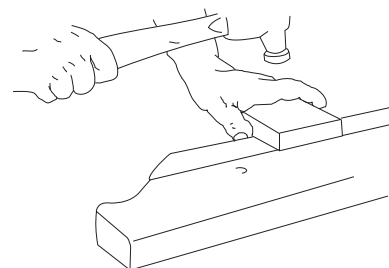


FIGURE FOUR

FIGURE FIVE

Step #6: Turn rail over and at corner pockets fold the cloth over the mitred edge as shown, stretching tightly and working out any wrinkles as you staple three places in area shown.

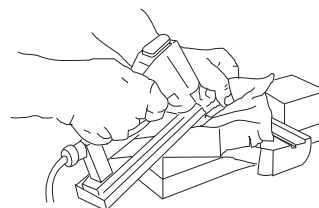


FIGURE FIVE

ATTACHING RAIL CLOTH (CONTINUED)

FIGURE SIX

Step #7: Staple three places along the rear edge of the pocket facing (X in FIGURE SIX), then trim off excess cloth at pocket area.

Step #8: If rail is an end rail, repeat Step 7 at other corner pocket. Then, starting at center of rails, stretch cloth tightly over cushion and staple at bottom of rail working toward each end.

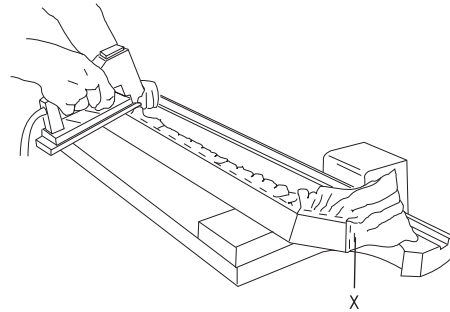


FIGURE SIX

FIGURE SEVEN

Step #9: Trim excess cloth from bottom of rail flush with edge of cloth relief groove.

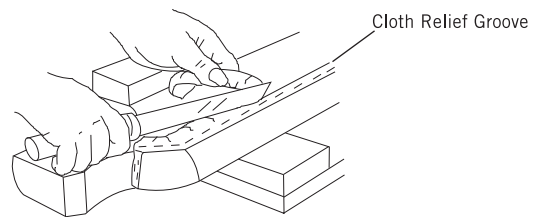


FIGURE SEVEN

SIDE POCKET FIGURE EIGHT

Step #10: At side pocket, stretch the cloth tightly over nose of cushion and staple three places as shown.

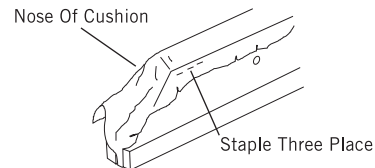


FIGURE EIGHT

FIGURE NINE

Step #11: Slit the cloth up to the edge of cushion nose as shown. Then firmly pull the small strip to the rear of the cushion and staple at rear of facing.

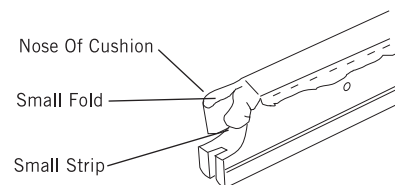


FIGURE NINE

FIGURE TEN

Step #12: Hold the small fold in place with thumb and forefinger and firmly hold it down over facing. Then staple at rear of facing and at bottom of rail as shown.

Step #13: Trim excess cloth as required.

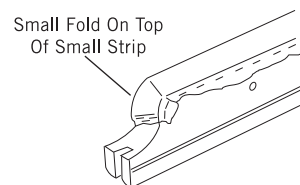


FIGURE TEN

RAIL ASSEMBLY

FIGURE ONE

Step #1: Place corner casting upside down on floor. Seat end and side rail clearance holes onto corner casting posts.

Step #2: Firmly hold end and side rails together, keep them, square by using a carpenter's square against the cushions.

Step #3: Attach using 1/4-20 x 1" hex head bolt and 1/4" fender washers.

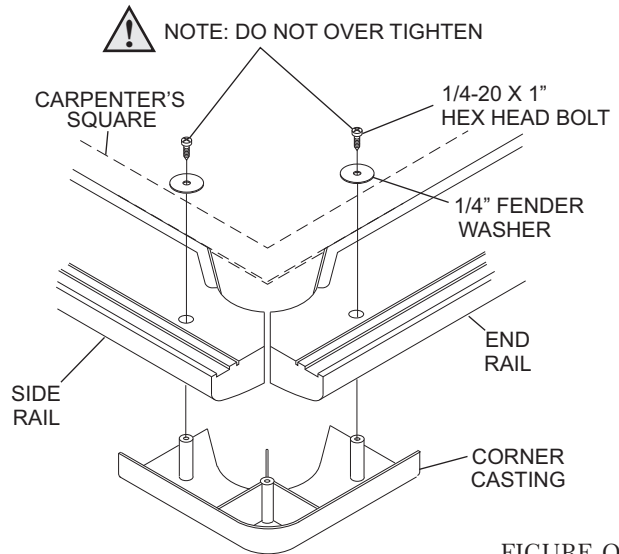


FIGURE ONE

FIGURE TWO

Step #4: Using the center hole in tie plate, loosely attach it to the corner casting post using 1/4-20 X 1" hex head bolt and 1/4" ID fender washer.



FIGURE TWO

FIGURE THREE

Position tie plate and drill four pilot holes. Install four #10 x 3/4 C.R pan head high/low tapping screws. Tighten Screw installed in *step #4*.

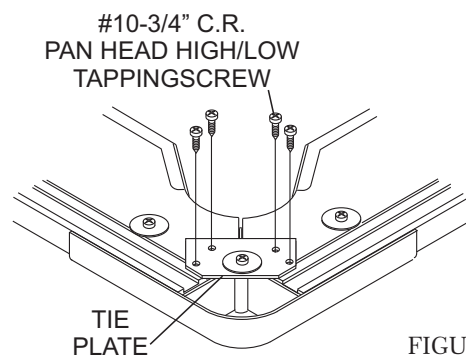


FIGURE THREE

FIGURE FOUR

Step #5: Thread a stud into the pre-positioned nut plates inside each rail.

NOTE: Three places per rail.

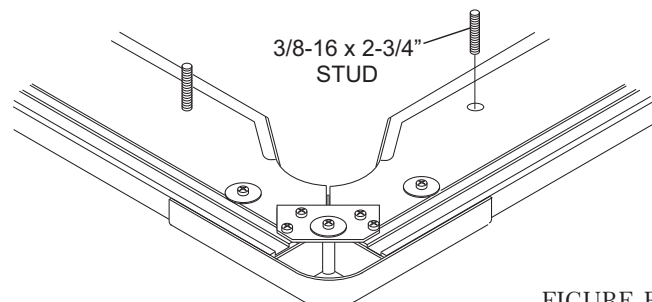


FIGURE FOUR



APRON ASSEMBLY

BLACK WOLF II

FIGURE ONE

Step #1: With the rails remaining face down, attach aprons as shown. Aprons must overhang equally at each end.

NOTE: Gully apron to be located at foot end of table. See gully assembly for further details.

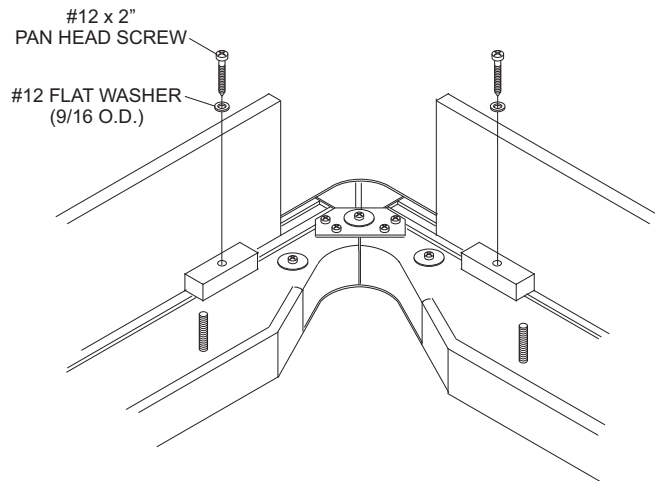


FIGURE ONE

FIGURE TWO

Step #2: Carefully slide an apron corner extrusion over the ends of the aprons. Attach as shown.

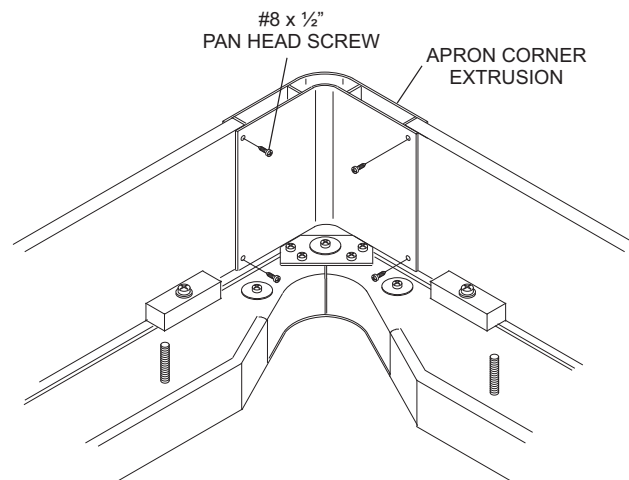


FIGURE TWO

FIGURE THREE

Step #3: Position the rail and apron assembly over the table as shown. Carefully align the rail studs through the holes located on the slate.

NOTE: Do not attempt to do this without the aid of another person.

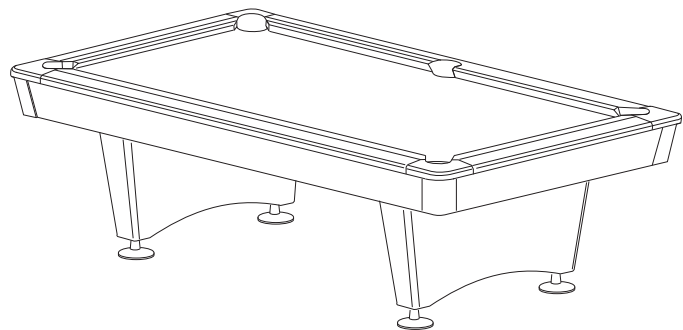


FIGURE THREE



APRON ASSEMBLY (CONTINUED)

BLACK WOLF II

FIGURE FOUR

Step #4: Position a dome lockwasher onto the stud, then thread a 3/8-16 hex nut onto the stud .

Step #5: Repeat this step for all 18 stud locations.

Step #6: Fasten the rails tightly at the ends first. Then while making sure that the side rails form a straight line, fasten the side rails securely to the slate.

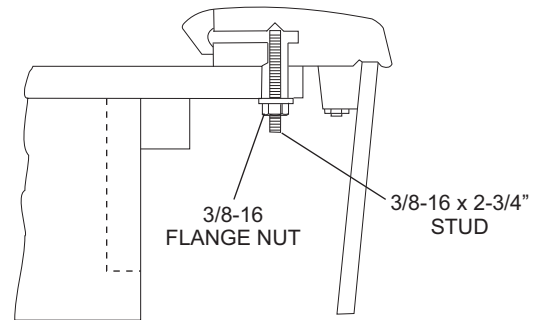


FIGURE FOUR

FIGURE FIVE

Step #7: Position the 6 pockets in their respective locations.

Step #8: Mark each side of the top of the pocket at the back of the cloth and trim excess lip of pocket so that it fits behind the back of the rail cloth. This will assure that the ends of the pocket will not interfere with the ball entering the pocket

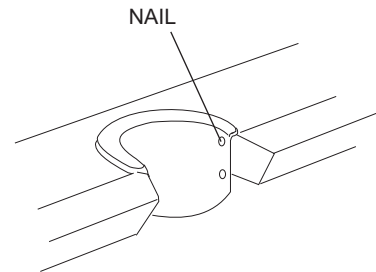


FIGURE FIVE

FIGURE SIX

Step #6: Thoroughly brush the area on which the bed spots are to be applied. Position the bed spot and firmly roll a ball over the spot to achieve good adhesion.

NOTE: Bed spots are self adhesive.

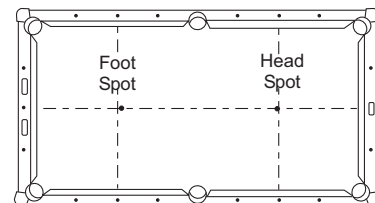


FIGURE SIX

GULLY ASSEMBLY (IF REQUIRED)

BLACK WOLF II

FIGURE ONE

Step #1: Gully apron to be located at the foot end of the table as shown.

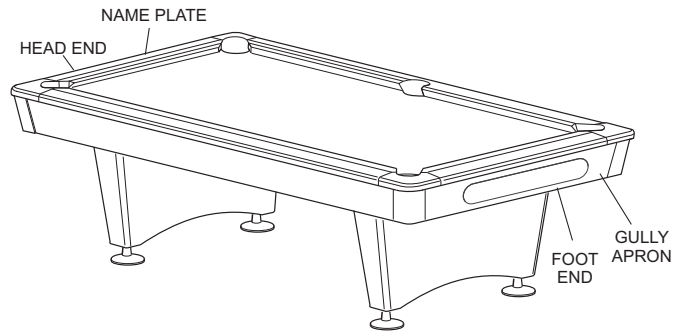


FIGURE ONE

FIGURE TWO

Step #2: Attach gully pockets and gully tubes as shown.

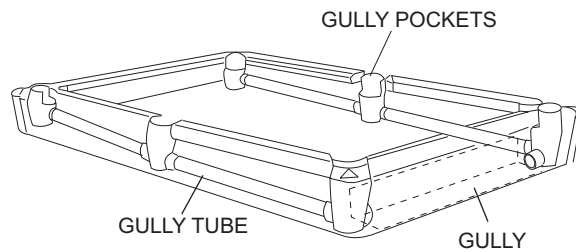


FIGURE TWO

FIGURE THREE

Step #3: Attach the bottom flange of the gully to the gully as shown.

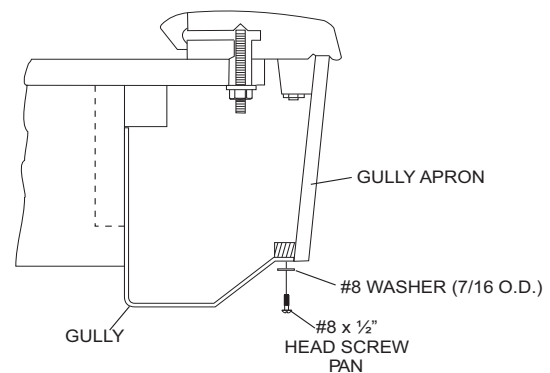


FIGURE THREE

