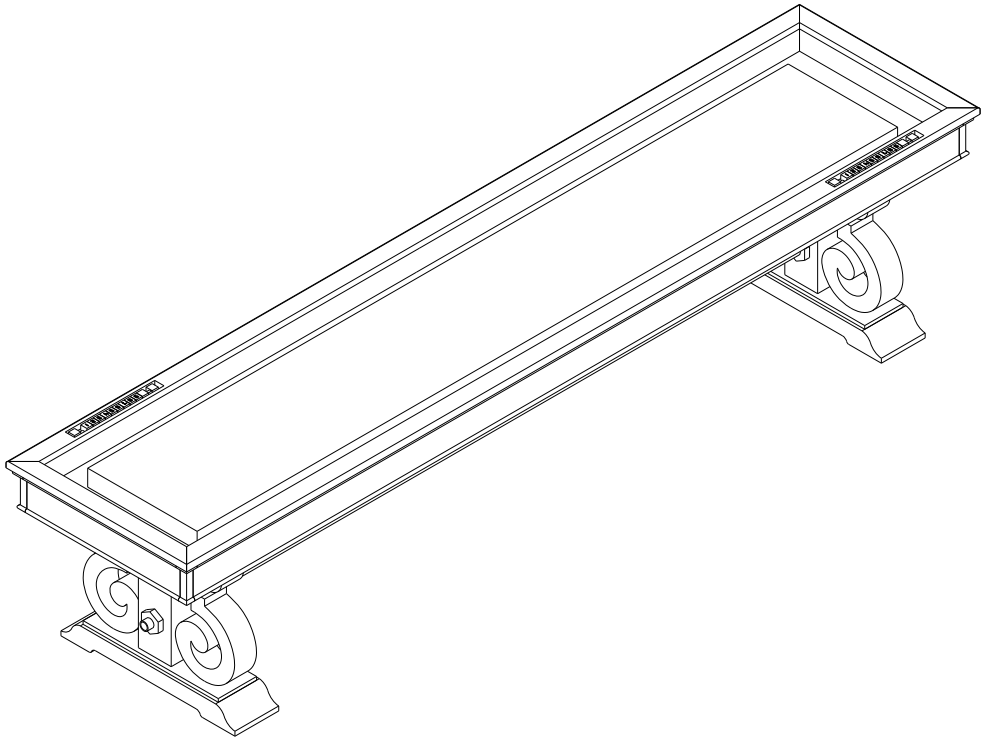


12' BARNSTABLE



SHUFFLEBOARD TABLE
ASSEMBLY INSTRUCTIONS

REPLACEMENT PARTS LIST(HARDWARE)

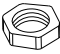






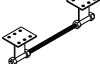
PACKAGE	ITEM#	SAMPLE	DESCRIPTION	QTY.
LEG	H1		HEX NUT 1-1/2" I.D.	2
	H2		HEX HEAD CROSS BOLT 5/16" X 2"(M8X51mm)	8
	H3		FLAT WASHER 5/16" I.D.	8
CABINET	H4		HEX HEAD CROSS BOLT 5/16" X 2"(M8X51mm)	6
	H5		FLAT WASHER 5/16" I.D.	6
	H6		HEX HEAD CROSS BOLT 5/16" X 1"(M8X25mm)	48
	H7		FLAT WASHER 5/16" I.D.	48
	H8		CLIMATIC ADJUSTERS	4

FIG.1

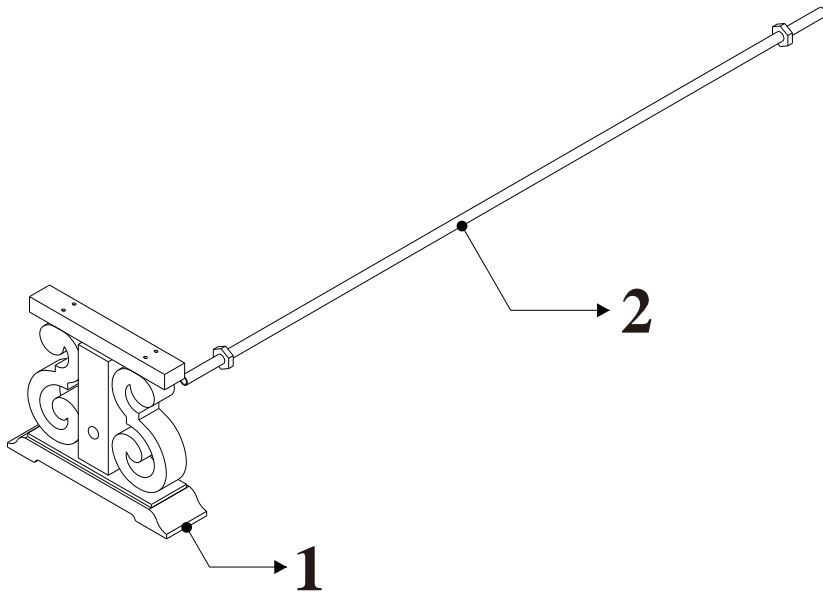


FIG.2

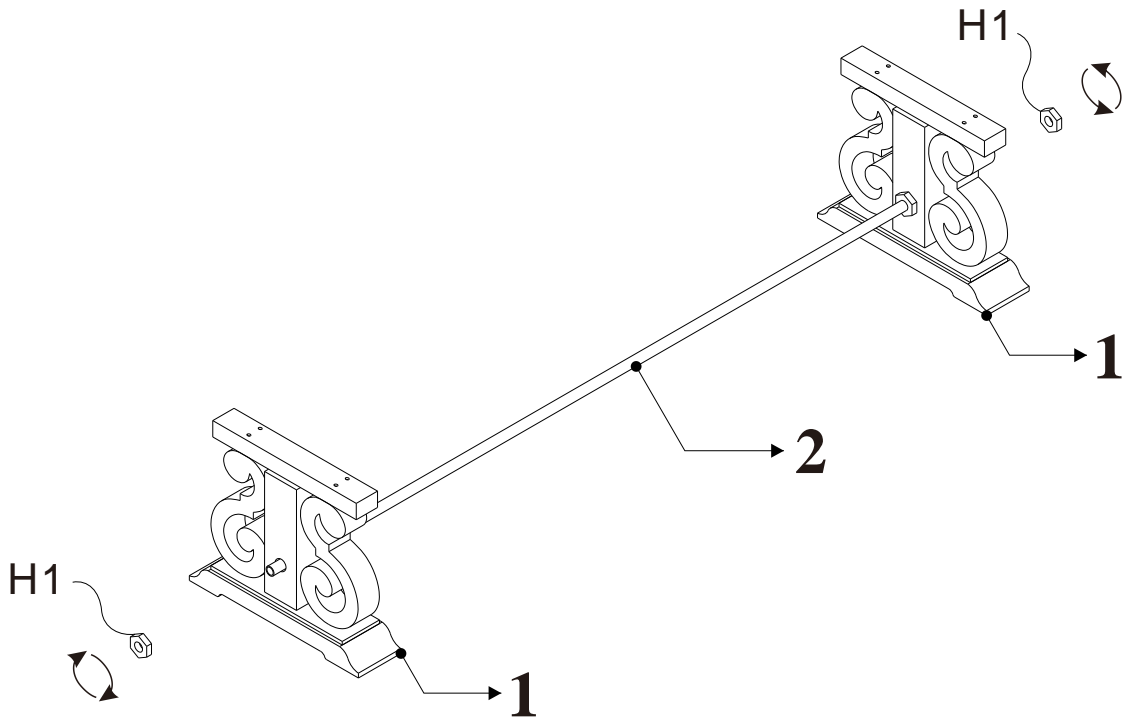


FIG.3

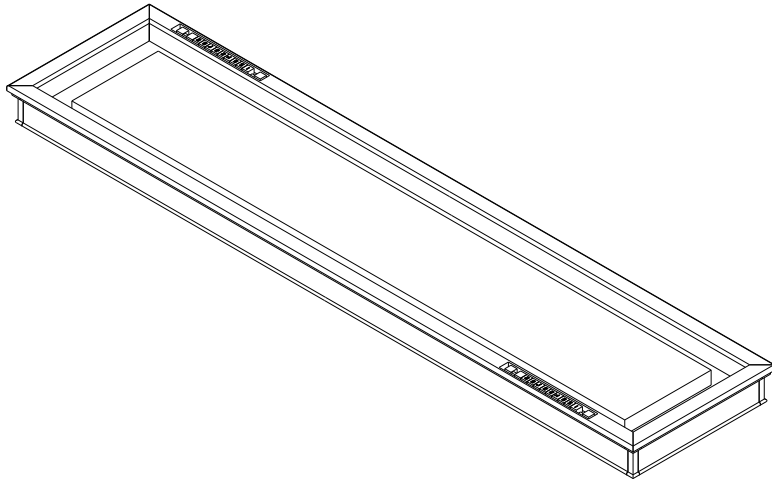
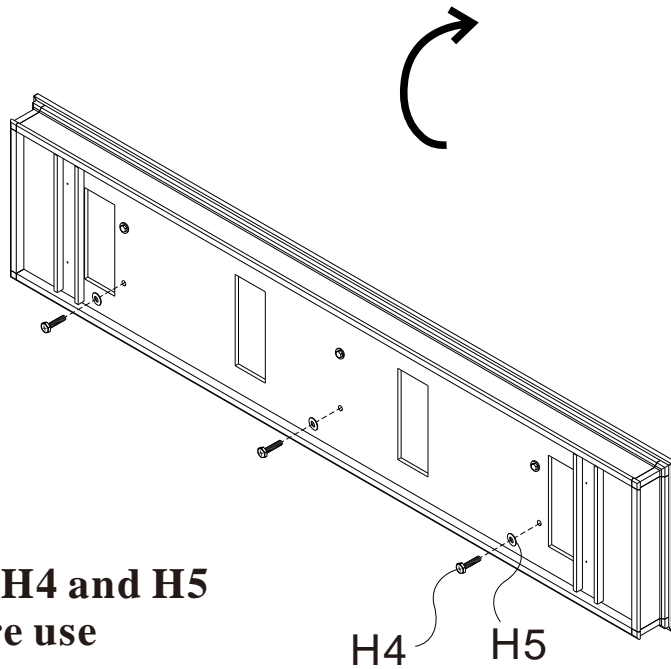


FIG.4



*** Take off H4 and H5
for future use**

FIG.5

*** Remove playboard**

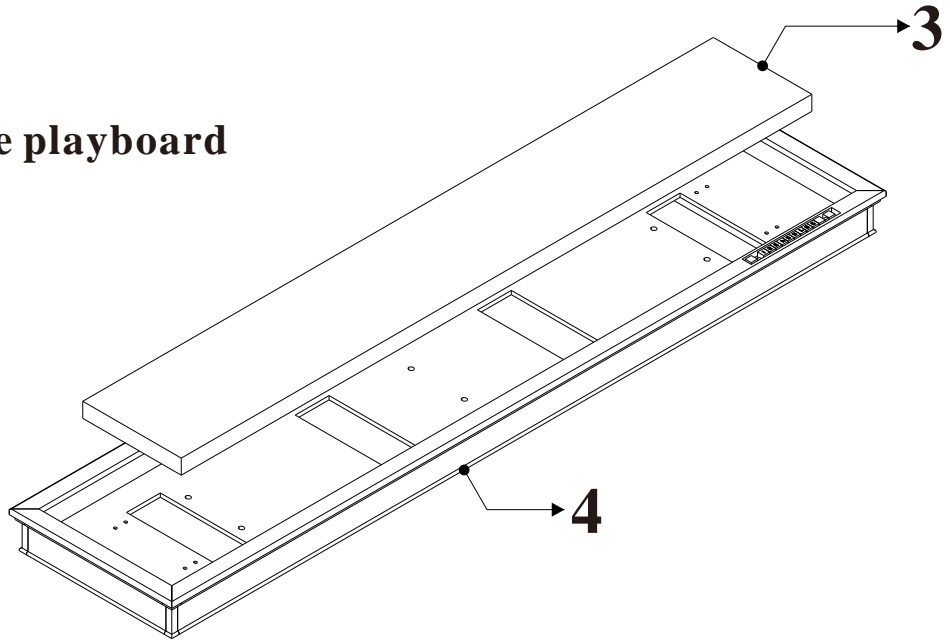
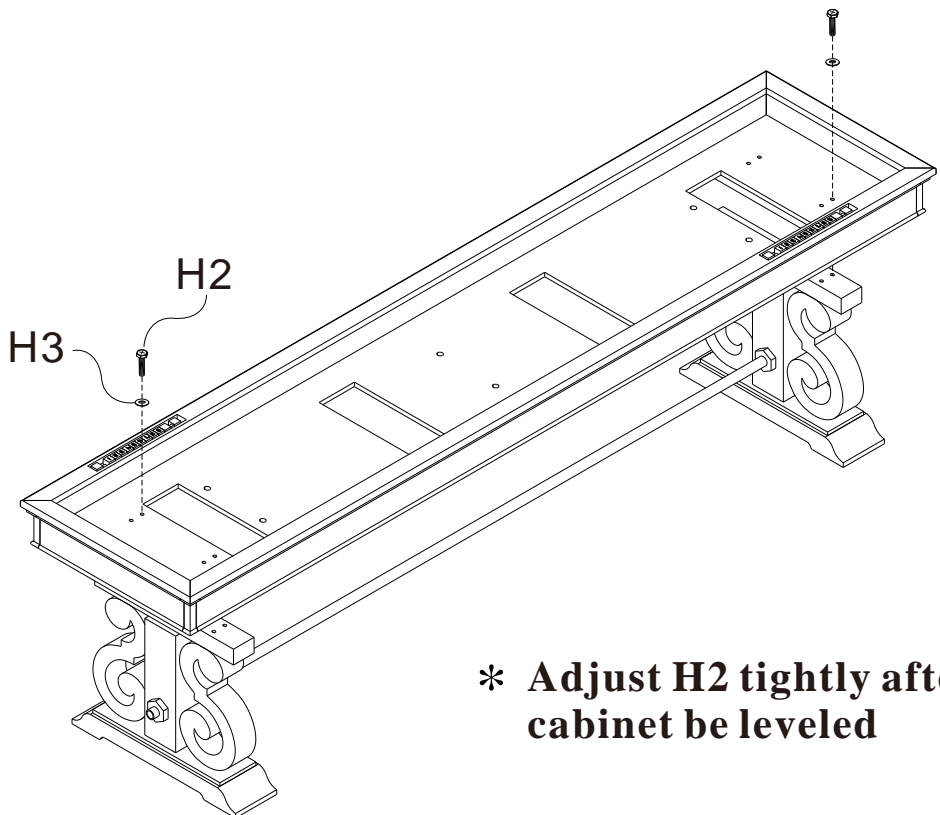


FIG.6



*** Adjust H2 tightly after cabinet be leveled**

FIG.7

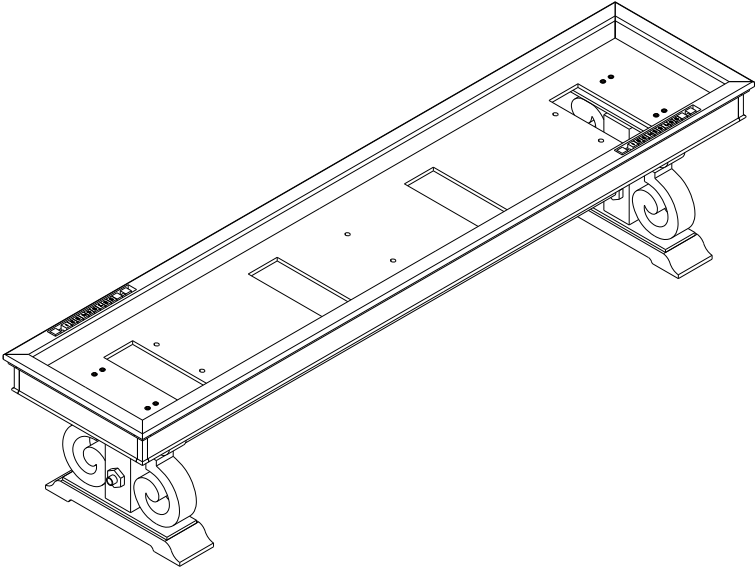


FIG.8

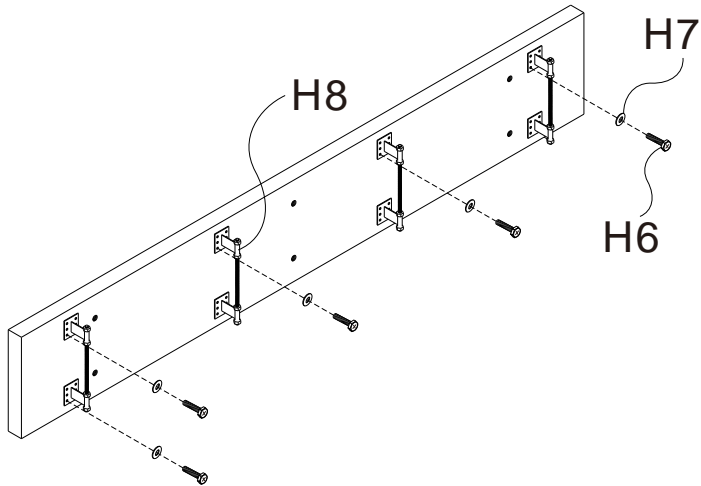
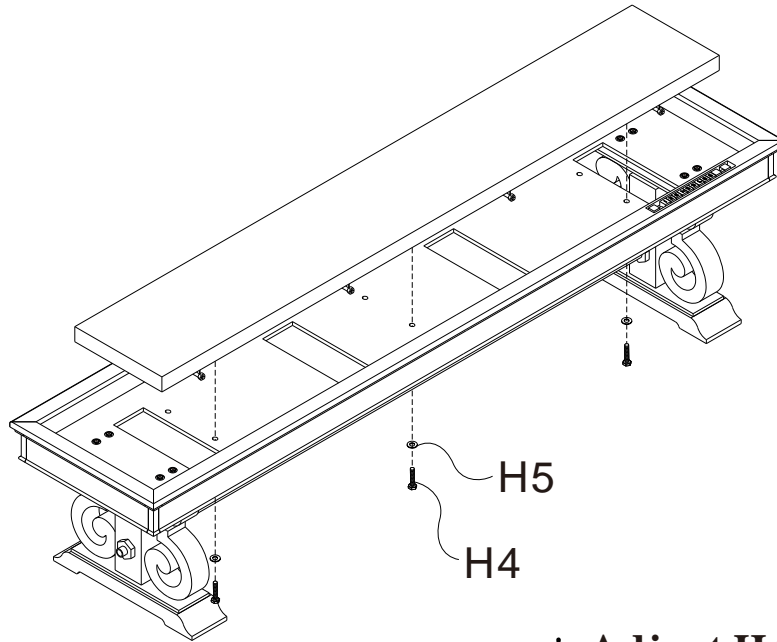


FIG.9



*** Adjust H4 tightly after playboard be leveled**

Finish

