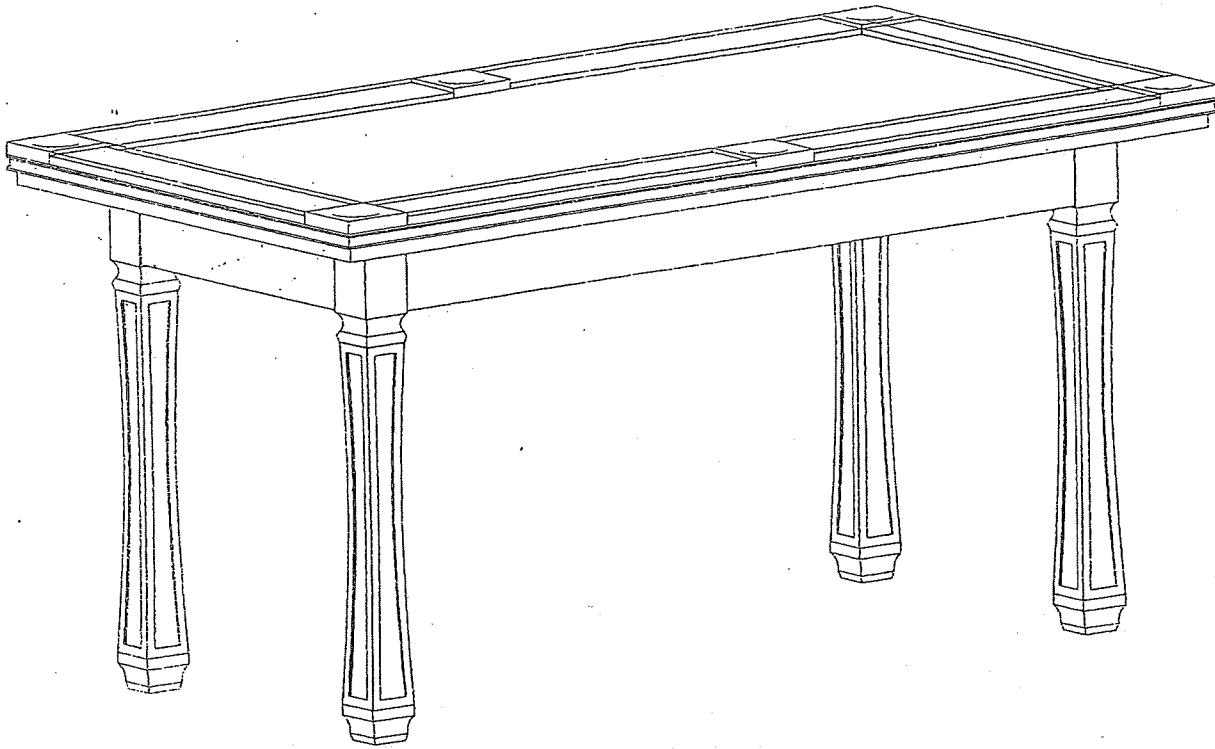

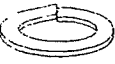

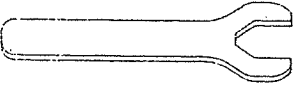
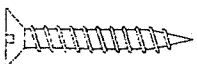



# ASSEMBLY INSTRUCTION

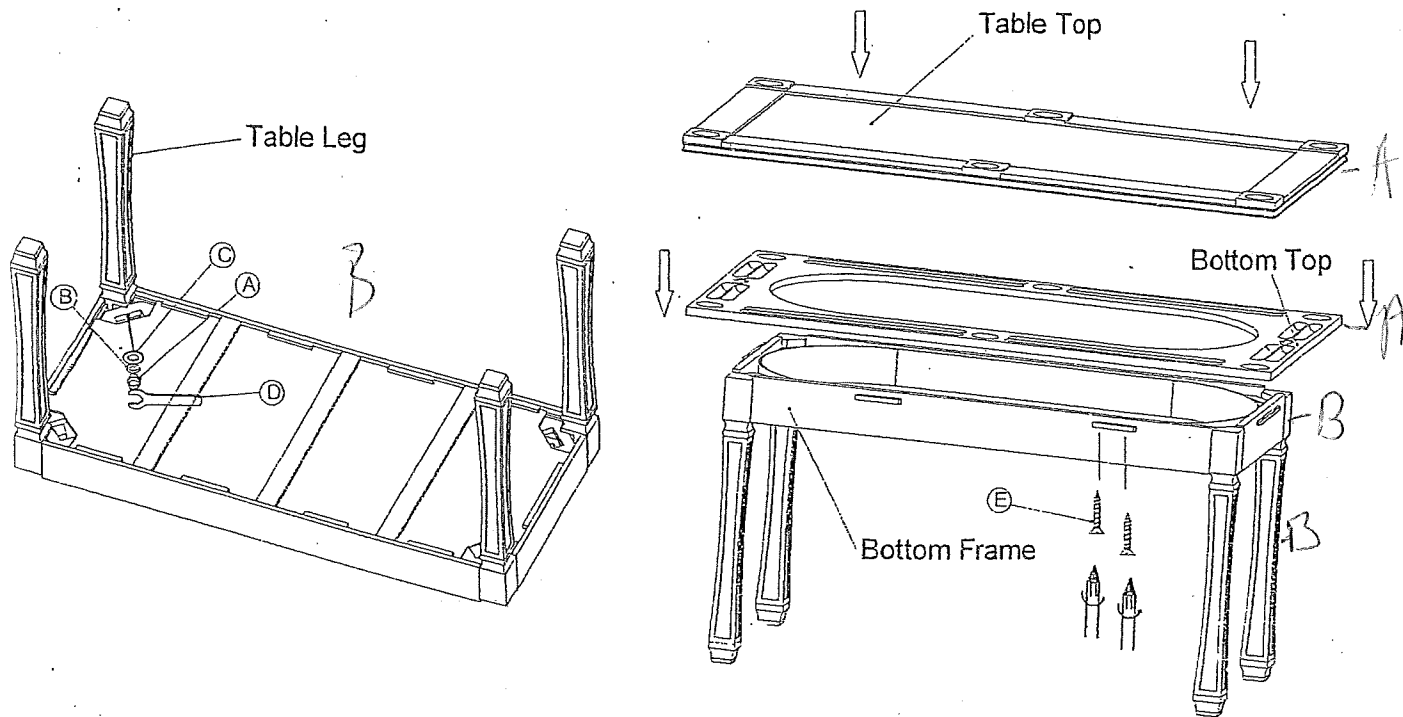
## BURLINGTON TABLE



	HARDWARE LIST	QTY	OUTLOOK
A	HEX NUT	8	 SCALE 1:1
B	LOCK WASHER	8	 SCALE 1:1
C	FLAT WASHER	8	 SCALE 1:1
D	WRENCH	1	
E	SCREW (1")	12	 SCALE 1:1
F	PROTECTIVE FOAM PIECES	2	

ASSEMBLY INSTRUCTION  
BURLINGTON TABLE

100717ES-A-B



1. Turn underside of Bottom Frame over and place it on a smooth surface or a cloth.
2. Fix the Leg to the corner of the apron with Flat Washer ( C ), Lock Washer ( B ) and Hex Nut ( A ) using Wrench ( D ) provided.
3. Repeat the same of the other three Legs. Do not overtighten Legs.
4. Turn over the Bottom Frame. Attach Bottom Top to the Bottom Frame using Screw ( E ).
5. Place the Table top on the Bottom Top.
6. When removing Table Top to Play Craps, use Protective Foam Pieces to ensure edge of Table Top does not get damaged.

