

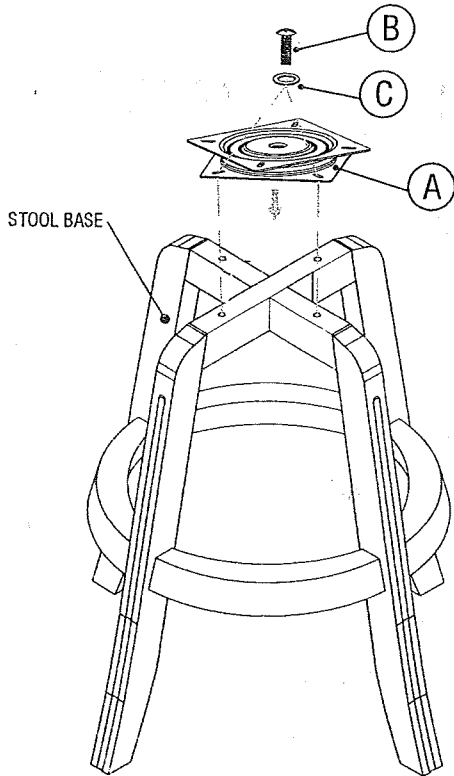
ASSEMBLY INSTRUCTIONS

AUBURN STOOL

1

STEP 1

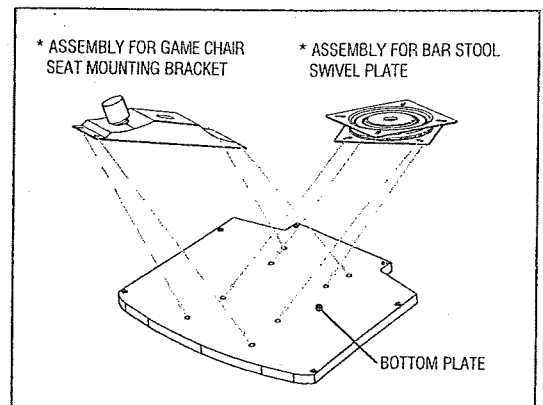
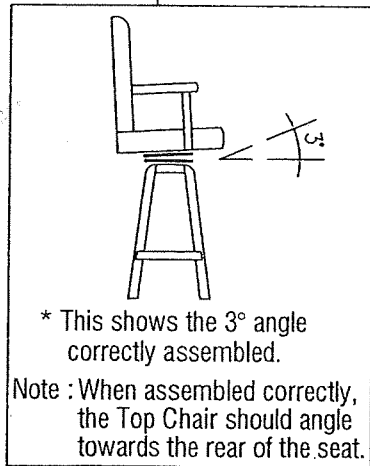
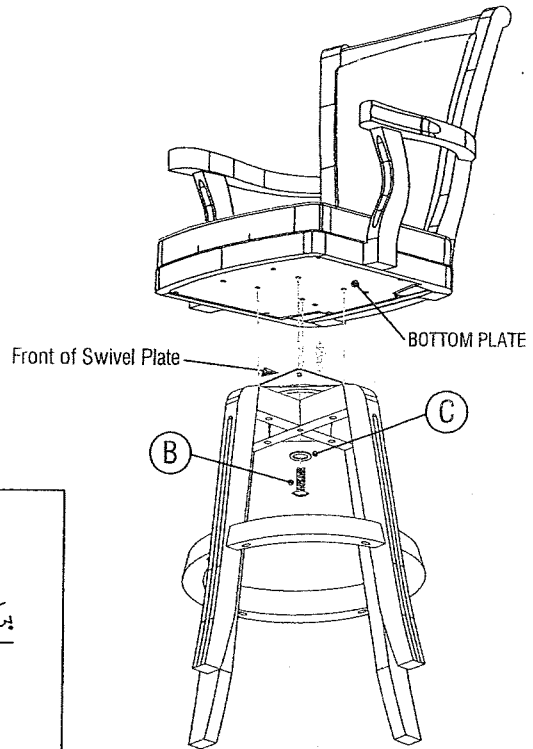
- 1) Attach Swivel Plate (A) to the Stool Base using Philips Head Screw (B) and Spring Washer (C). Tighten all bolts evenly and then turn each bolt 1/4 turn for final fasten.



2

STEP 2

- 2) Attach the Top Chair to Swivel Plate (A), which is now attached to the Stool Base. Be SURE to align edge of swivel bracket marked "Front" with the front edge of Top Chair. Attach Top Chair using Philips Head Screw (B) and Spring Washer (C). Tighten all screws evenly and then turn each screw 1/4 turn evenly for final fasten.



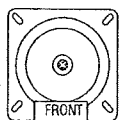
* PLEASE READ INSTRUCTION PRINTED ON SWIVEL PLATE

HARDWARE PACKED

CHECK THAT THE FOLLOWING PARTS ARE IN CARTON

MADE IN MALAYSIA
B 200

A



SWIVEL PLATE
(1 PC)

B



PHILIPS HEAD SCREW
(8 PCS)

C



SPRING WASHER
(8 PCS)