

# AMERICAN HERITAGE

BILLIARDS

**ABBEY  
POOL TABLE**

MODEL NO.  
**PTA**

ASSEMBLY INSTRUCTIONS



**Please Do Not Return This  
Product to the Store!**

Contact American Heritage Customer Service to begin a warranty claim.

Phone: 1-800-835-7665 (Toll-FREE!)

Hours: 10:00 - 6:00 EST, Monday - Friday

E-mail: [Claims@AmericanHeritageBilliards.com](mailto:Claims@AmericanHeritageBilliards.com)

**ESCALADE**  
SPORTS

2022 Escalade® Sports

**IMPORTANT!**

THE DRAWINGS IN THIS MANUAL MAY BE EXAGGERATED OR MODIFIED TO SHOW DETAILS.



**NOTICE:**

READ AND FOLLOW ALL ASSEMBLY, OPERATION AND SAFETY INSTRUCTIONS CAREFULLY.

PRE - ASSEMBLY TIPS

1. Read this manual carefully before starting assembly. Read each step completely before beginning next step.
2. Some smaller parts may be shipped inside larger parts. Check inside all parts and cartons before assembling or ordering parts.
3. To make assembly easier, use the Hardware Identifier to identify and sort fasteners. Check all cartons for kits. All hardware may not be located in one kit.
4. Do not tighten hardware until instructed to do so. If hardware is tightened too soon, mounting holes may not align and parts may not easily fit together.
5. An electronic screwdriver is helpful in assembly. However, set a low torque and use extreme caution with an electronic screwdriver because you can overtighten the hardware and strip the screws.
6. Save these instructions and your proof of purchase (receipt) in the event that the manufacturer has to be contacted for replacement parts.

We strive to ensure that our products are of the highest quality and free of manufacturing defects or missing parts. However, if you have any problems with your new product, contact customer service.

**Please Do Not Return This Product To The Store!**

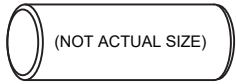
Contact American Heritage Customer Service to begin a warranty claim.

Phone: 1-800-835-7665 (Toll-FREE!)  
 Hours: 10:00 - 6:00 EST, Monday - Friday  
 E-mail: [Claims@AmericanHeritageBilliards.com](mailto:Claims@AmericanHeritageBilliards.com)

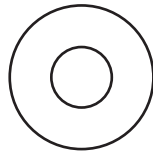
**Escalade Sports**

<b>Physical Location:</b>	<b>Mailing Address: (Correspondence Only)</b>
817 Maxwell Ave.	PO Box 889
Evansville, IN 47711	Evansville, IN 47706

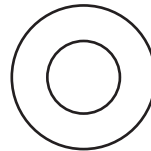
# HARDWARE LIST (ACTUAL SIZE)



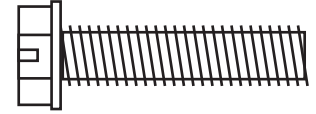
H1 -  $\Phi$ 10 X 30 mm WOOD DOWEL (36 PCS)



H2 - 5/16" x 3/4" FLAT WASHER (72 PCS)



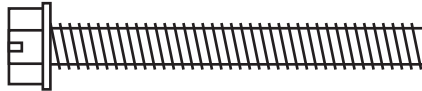
H3 - 3/8" x 3/4" FLAT WASHER (66 PCS)



H4 - 5/16" x 1-1/4" PHILLIPS HEX HEAD BOLT (20 PCS)



H5 - 5/16" HEX NUT (16 PCS)



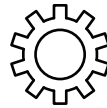
H6 - 3/8" x 2" PHILLIPS HEX HEAD BOLT (36 PCS)



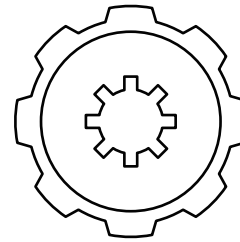
H7 - 5/16" x 3" BOLT (6 PCS)



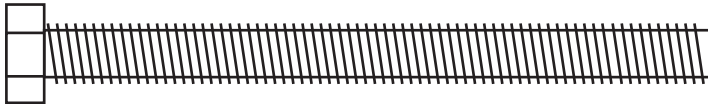
H8 - 1/4" x 2-1/2" PHILLIPS HEX HEAD SCREW (12 PCS)



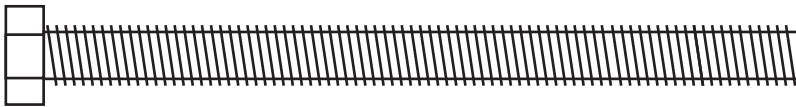
H9 - LOCK WASHER (18 PCS)



H10 - DOME WASHER (18 PCS)



H11 - 5/16" x 3-1/2" PHILLIPS HEX HEAD BOLT (28 PCS)



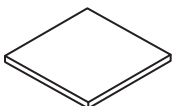
H12 - 5/16" x 4" PHILLIPS HEX HEAD BOLT (8 PCS)



H13 - 3/8" x 5-3/4" PHILLIPS HEX HEAD BOLT (24 PCS)



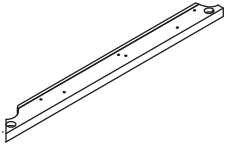
H14 - 3/8" HEX NUT (24 PCS)



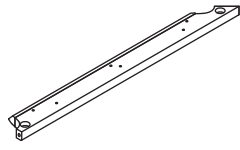
H15 - 80mm x 120mm x 15mm RUBBER MAT WITH 3M ADHESIVE GLUE (2 PCS)

# PTA PARTS LIST (NOT ACTUAL SIZE)

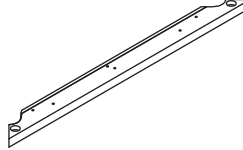
## PTA - TOP RAILS BOX



P1 - LEFT SIDE TOP RAIL  
(2 PCS)

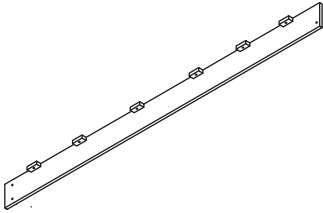


P2 - RIGHT SIDE TOP RAIL  
(2 PCS)

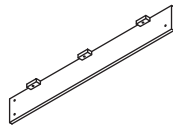


P3A - END SIDE TOP RAIL (1 PC)  
P3B - END SIDE TOP RAIL WITH  
AHB NAME PLATE (1 PC)

## PTA - APRON BOX



P4 - LONG SIDE BLIND  
(2 PCS)



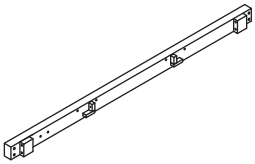
P5 - END BLIND  
(2 PCS)

## PTA - CORNER BLIND BOX

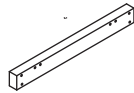


P6 - CORNER BLIND  
(4 PCS)

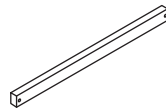
## PTA - BEAMS BOX



P7 - LONG SIDE BEAM  
(2 PCS)



P8 - END BEAM  
(2 PCS)



P9 - CENTER BEAM  
(2 PCS)

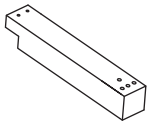


P10 - END SLATE SUPPORT  
BLOCK (4 PCS)

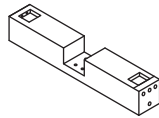


P11 - SIDE SLATE SUPPORT  
BLOCK (4 PCS)

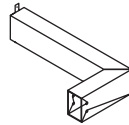
## PTA - LEG BOX



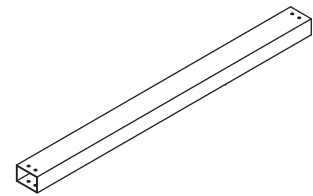
P12 - WOOD LEG  
(4 PCS)



P13 - WOOD END LEG  
(2 PCS)



P14 - METAL L-SHAPE LEG  
(2 PCS)



P15 - METAL STRETCHER  
(1 PC)

## PTA - HARDWARE & POCKETS BOX



P16 - CORNER POCKET  
(4 PCS)

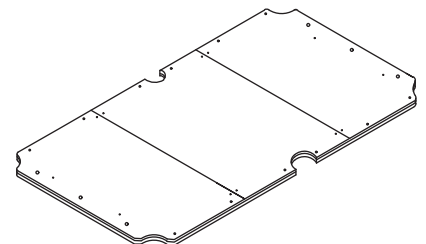


P17 - CENTER SIDE  
POCKET (2 PCS)



HARDWARE KIT  
(1PC)

## NOT INCLUDED IN THE TABLE BOX



P18 - SLATE (1 PC)

## PARTS REQUIRED:

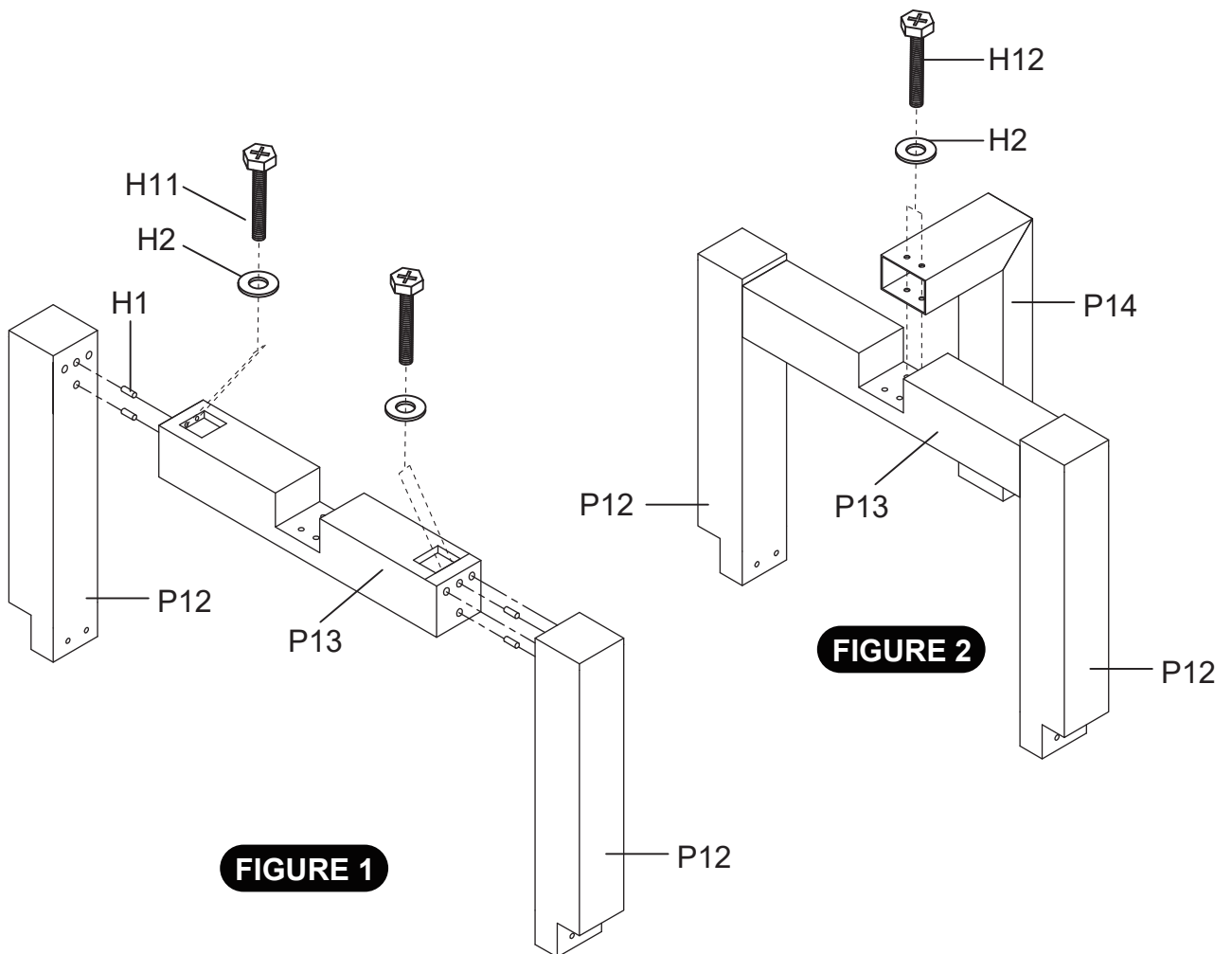
8 PCS **H1** -  $\Phi 10$  X 30 mm WOOD DOWEL  
12 PCS **H2** - 5/16" x 3/4" FLAT WASHER  
8 PCS **H11** - 5/16" x 3-1/2" PHILLIPS HEX HEAD BOLT  
4 PCS **H12** - 5/16" x 4" PHILLIPS HEX HEAD BOLT

4 PCS **P12** - WOOD LEG  
2 PCS **P13** - WOOD END LEG  
2 PCS **P14** - METAL L-SHAPE LEG

### STEP 1:

Attach Wood Legs **P12** to Wood End Legs **P13**, use Wood Dowels **H1**, Phillips Hex Head Bolts **H11**, Flat Washers **H2** as shown in **FIGURE 1**.

Attach Metal L-Shape Legs **P14** to Wood End Legs **P13**, use Phillips Hex Head Bolts **H12**, Flat Washers **H2** as shown in **FIGURE 2**.



## PARTS REQUIRED:

4 PCS **H2** - 5/16" x 3/4" FLAT WASHER

1 PC **P15** - METAL STRETCHER

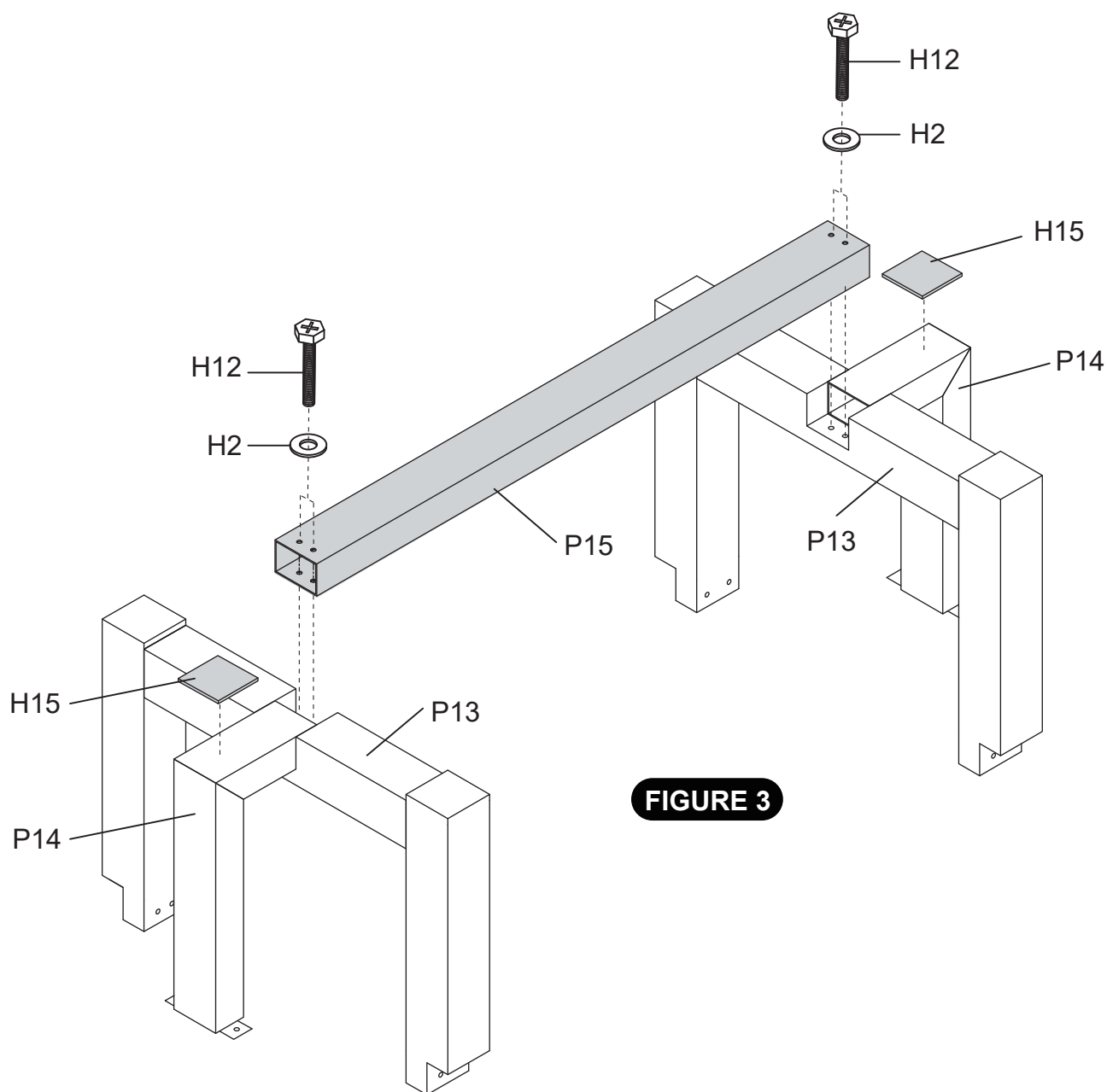
4 PCS **H12** - 5/16" x 4" PHILLIPS HEX HEAD BOLT

2 PCS **H15** - RUBBER MAT WITH 3M ADHESIVE GLUE

### STEP 2:

Attach Metal Stretcher **P15** to the Legs assembly from **STEP 1**, use Phillips Hex Head Bolts **H12**, Flat Washers **H2** as shown in **FIGURE 3**.

Attach Rubber Mats **H15** to the Metal L-Shape Legs **P14** as shown in **FIGURE 3**.



**FIGURE 3**

## PARTS REQUIRED:

8 PCS **H1** -  $\Phi 10$  X 30 mm WOOD DOWEL  
4 PCS **H2** - 5/16" x 3/4" FLAT WASHER  
4 PCS **H4** - 5/16" x 1-1/4" PHILLIPS HEX HEAD BOLT  
48 PCS **H3** - 3/8" x 3/4" FLAT WASHER  
24 PCS **H13** - 3/8" x 5-3/4" PHILLIPS HEX HEAD BOLT  
24 PCS **H14** - 3/8" HEX NUT

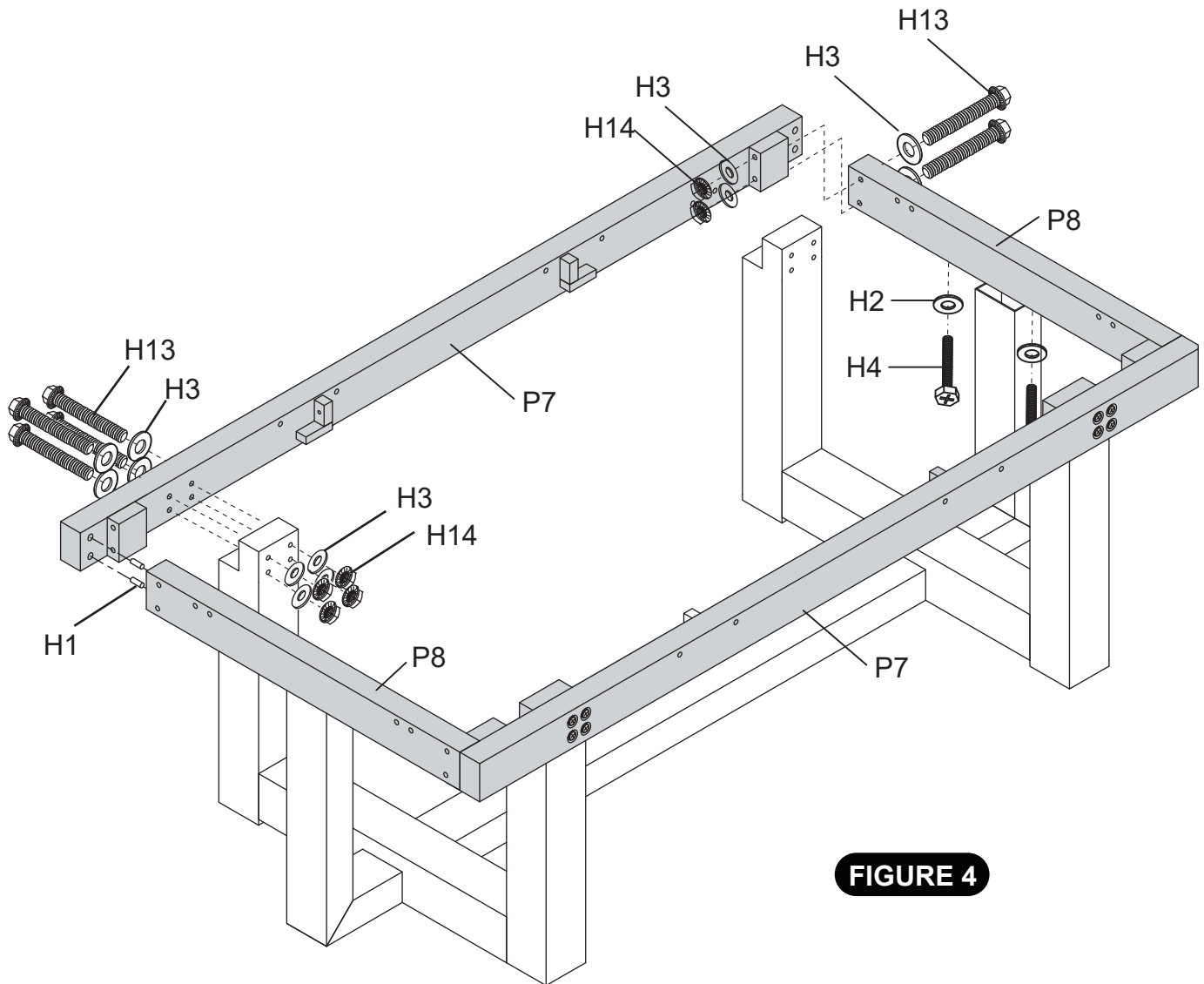
2 PCS **P7** - LONG SIDE BEAM  
2 PCS **P8** - END BEAM

### STEP 3:

Attach End Beams **P8** to the Long Side Beams **P7**, use Wood Dowels **H1**, Phillips Hex Head Bolts **H13**, Flat Washers **H3** and Hex Nut **H14** as shown in **FIGURE 4**.

Attach Long Side Beams **P7** to the Legs assembly from **STEP 2**, use Phillips Hex Head Bolts **H13**, Flat Washers **H3** and Hex Nut **H14** as shown in **FIGURE 4**.

Lock the Legs assembly from **STEP 2** to End Beams **P8**, use Phillips Hex Head Bolts **H4**, Flat Washers **H2** as shown in **FIGURE 4**.



**FIGURE 4**

## PARTS REQUIRED:

24 PCS **H2** - 5/16" x 3/4" FLAT WASHER

4 PCS **H5** - 5/16" HEX NUT

20 PCS **H11** - 5/16" x 3-1/4" PHILLIPS HEX HEAD BOLT

2 PCS **P9** - CENTER BEAM

4 PCS **P10** - END SLATE SUPPORT BLOCK

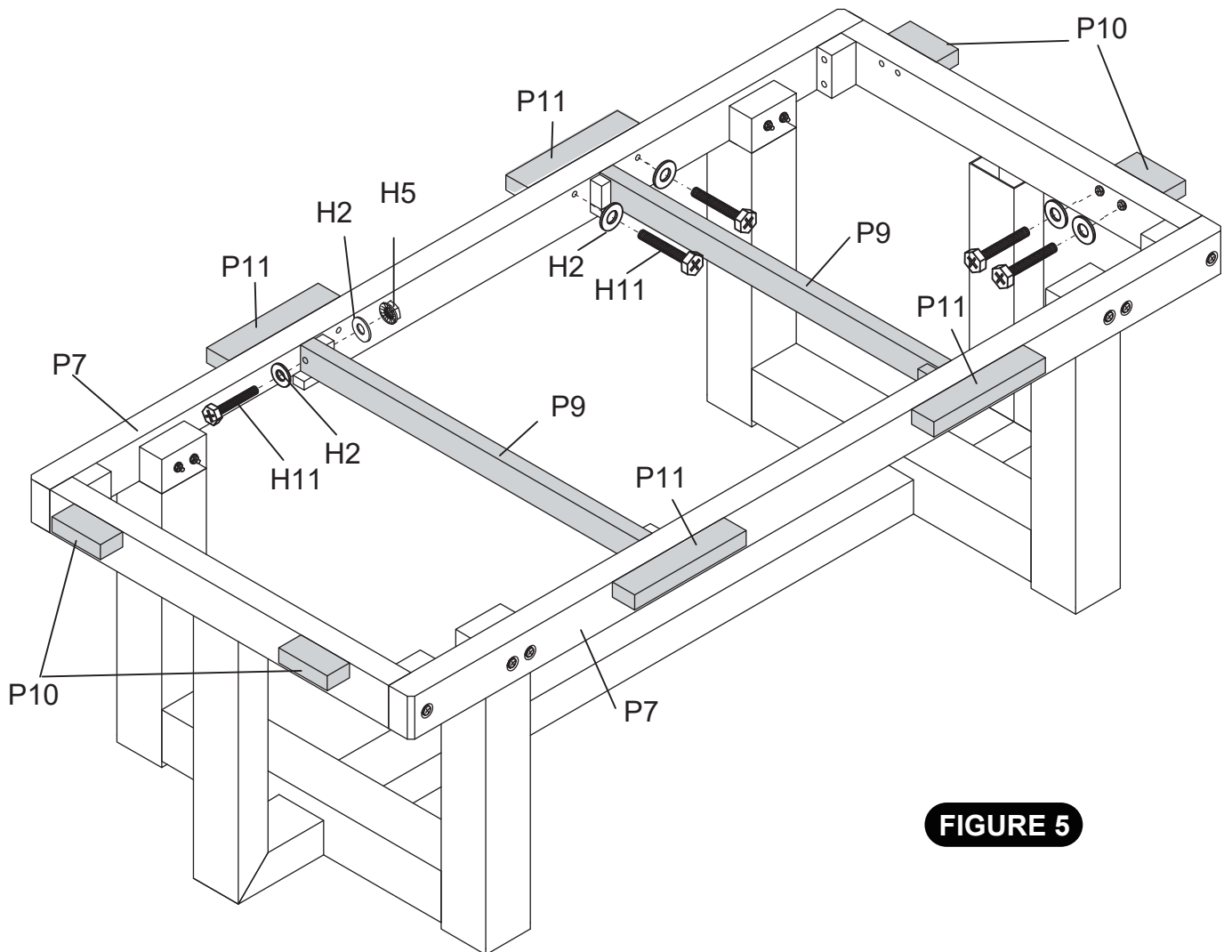
4 PCS **P11** - SIDE SLATE SUPPORT BLOCK

### STEP 4:

Attach Center Beams **P9** to Long Side Blinds **P7**, use Phillips Hex Head Bolts **H11**, Flat Washers **H2** and Hex Nut **H5** as shown in **FIGURE 5**.

Attach Side Slate Support Blocks **P11** to Long side Beams **P7**, use Phillips Hex Head Bolts **H11**, Flat Washers **H2** as shown in **FIGURE 5**.

Attach End Slate Support Blocks **P10** to End Beams **P7**, use Phillips Hex Head Bolts **H11**, Flat Washers **H2** as shown in **FIGURE 5**.



**FIGURE 5**

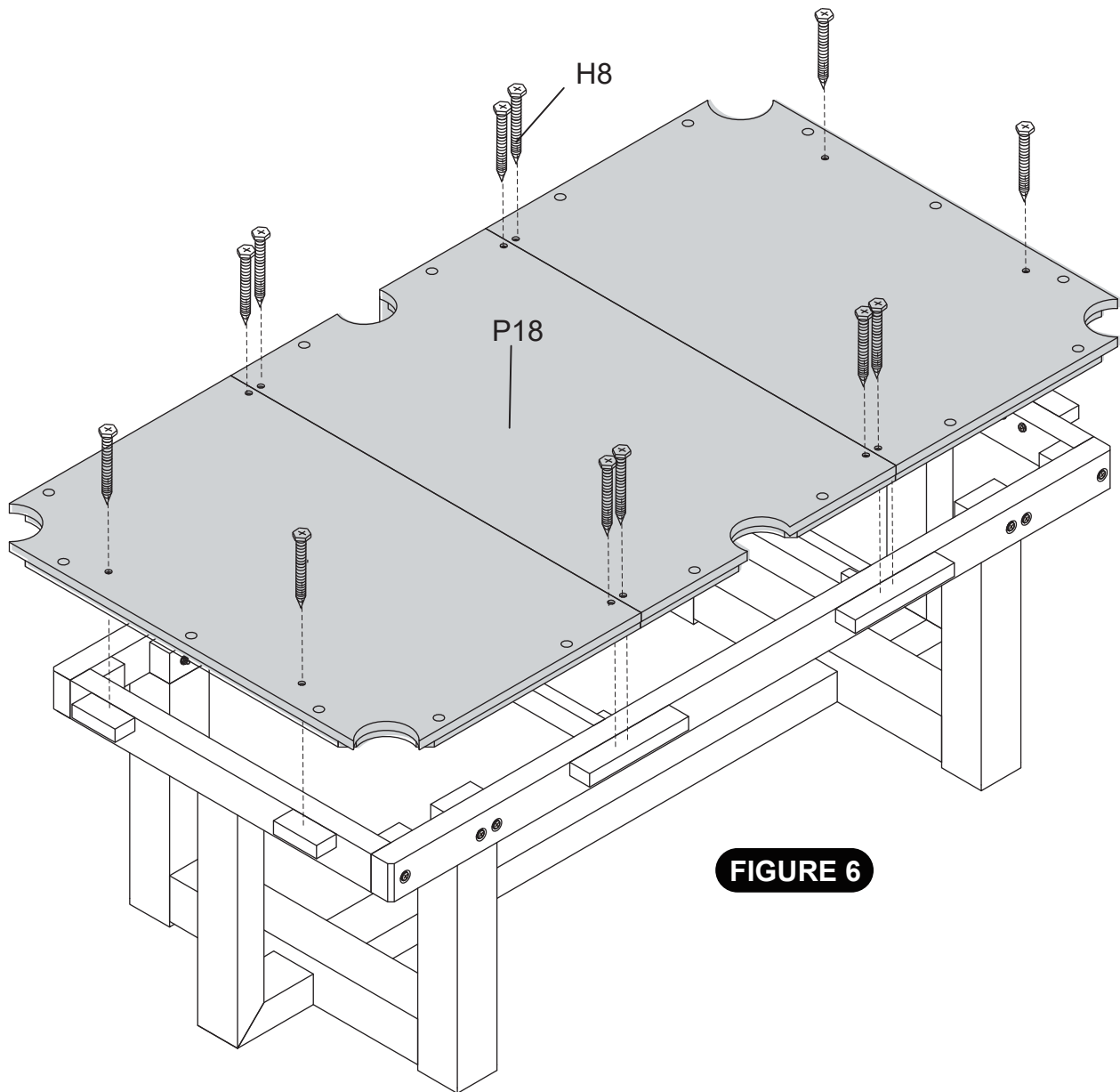


## PARTS REQUIRED:

12 PCS **H8** - 1/4" x 2-1/2" PHILLIPS HEX HEAD SCREW (12 PCS)  
1 PC **P18** - CENTER SIDE POCKET

### STEP 5:

Attach Slate **P18** to Beam Blocks, use Phillips Flat Head Screws **H8** as shown in **FIGURE 6**.



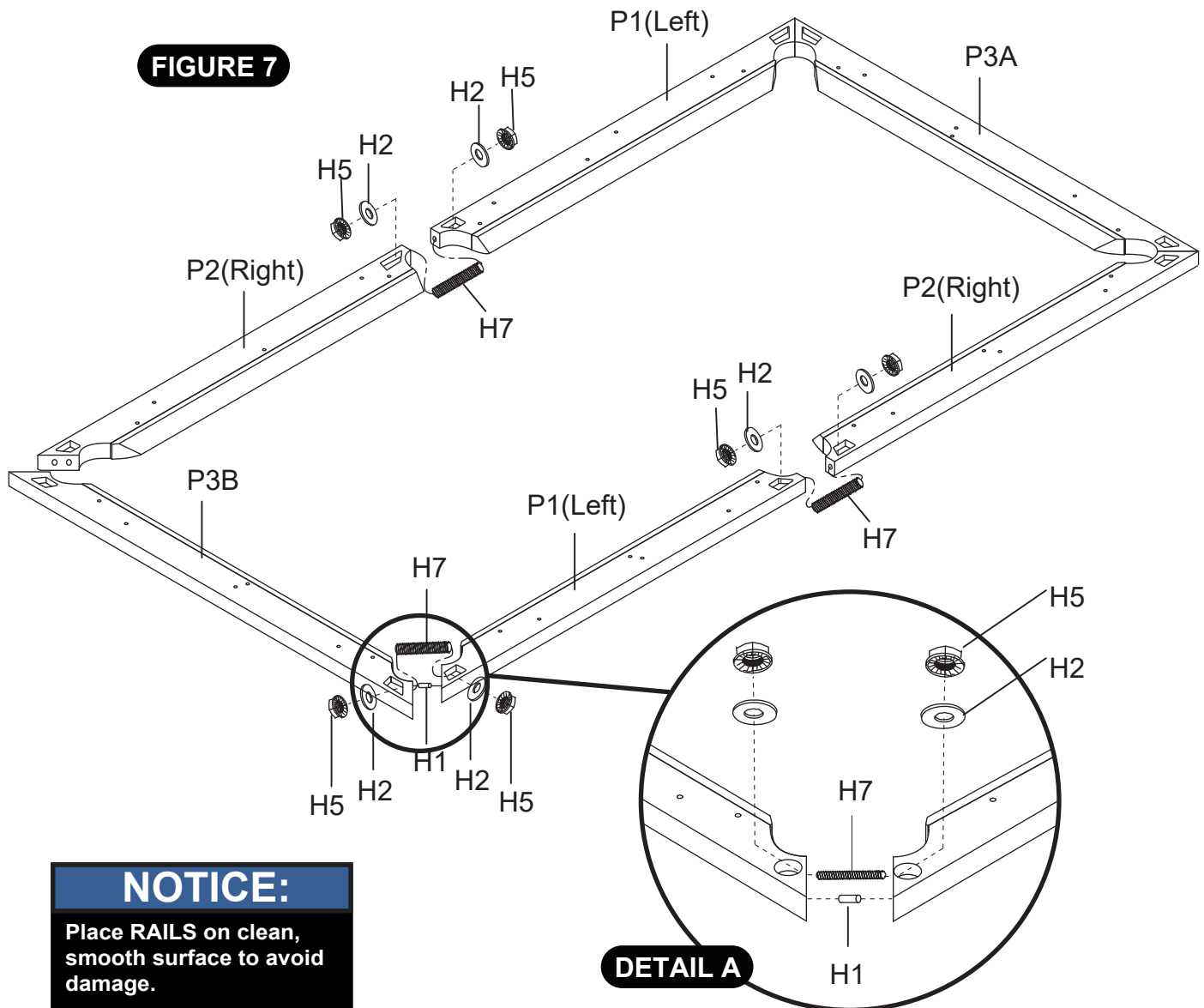
## PARTS REQUIRED:

4 PCS H1 -  $\Phi$ 10 X 30 mm WOOD DOWEL  
 12 PCS H2 - 5/16" x 3/4" FLAT WASHER  
 12 PCS H5 - 5/16" HEX NUT  
 6 PCS H7 - 5/16" x 3" BOLT

2 PCS P1 - LEFT SIDE TOP RAIL  
 2 PCS P2 - RIGHT SIDE TOP RAIL  
 1 PC P3A - END SIDE TOP RAIL  
 1 PC P3B - END SIDE TOP RAIL WITH  
 AHB NAME PLATE

### STEP 6:

Attach Left Side Top Rails **P1** and Right Side Top Rails **P2** to End Side Top Rails **P3A & P3B**, use Wood Dowels **H1**, Bolts **H7**, Flat Washers **H2** and Hex Nuts **H5** as shown in **FIGURE 7 & DETAIL A**.



### NOTICE:

Place RAILS on clean, smooth surface to avoid damage.

## PARTS REQUIRED:

16 PCS **H1** -  $\Phi$ 10 X 30 mm WOOD DOWEL

16 PCS **H2** - 5/16" x 3/4" FLAT WASHER

16 PCS **H4** - 5/16" x 1-1/4" PHILLIPS HEX HEAD BOLT

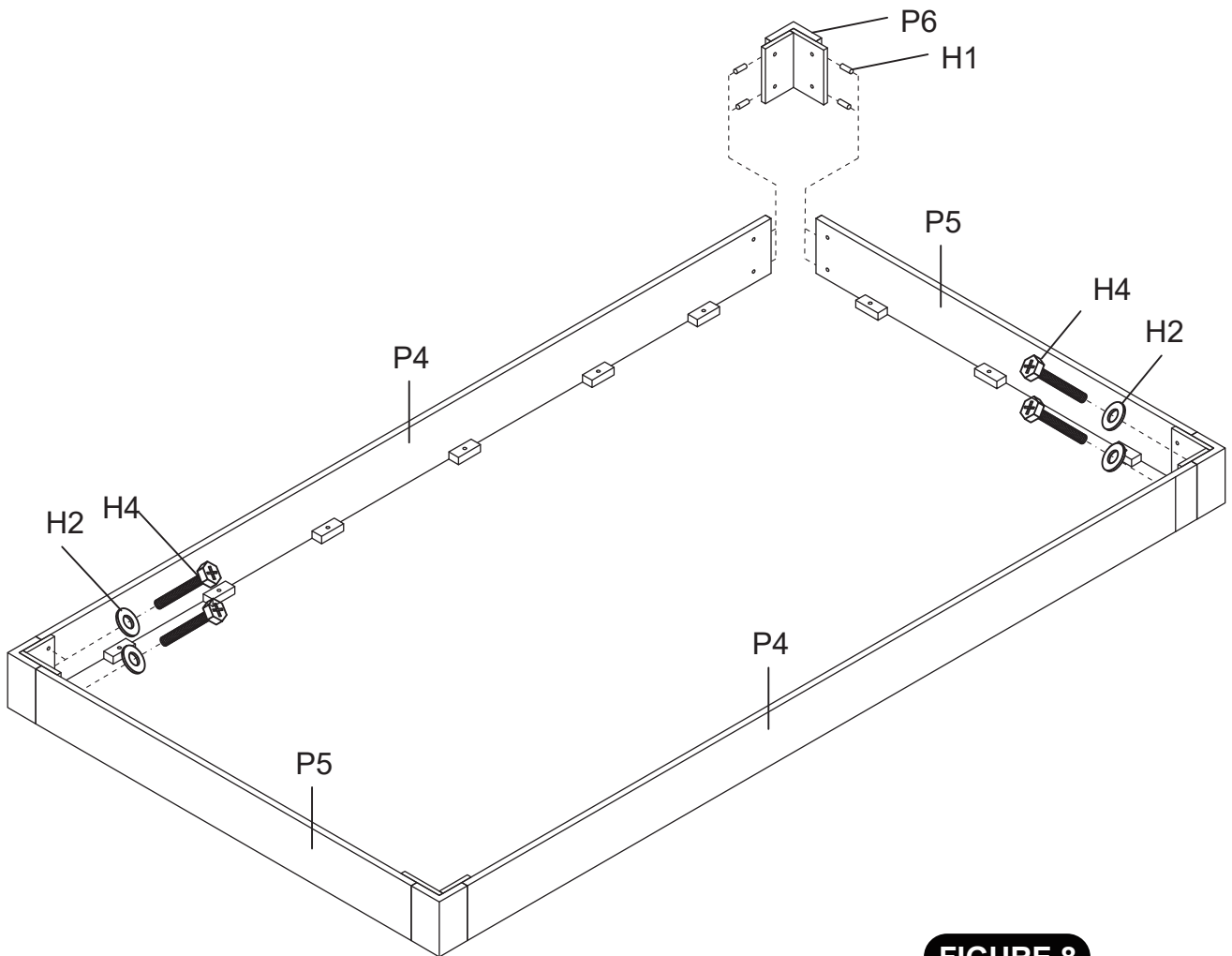
2 PCS **P4** - LONG SIDE BLIND

2 PCS **P5** - END BLIND

4 PCS **P6** - CORNER BLIND

### STEP 7:

Attach Corner Blinds **P6** to Long Side Blinds **P4** and End Blinds **P5**, use Wood Dowels **H1**, Phillips Hex Head Bolts **H4**, Flat Washers **H2** as shown in **FIGURE 8**.



**FIGURE 8**

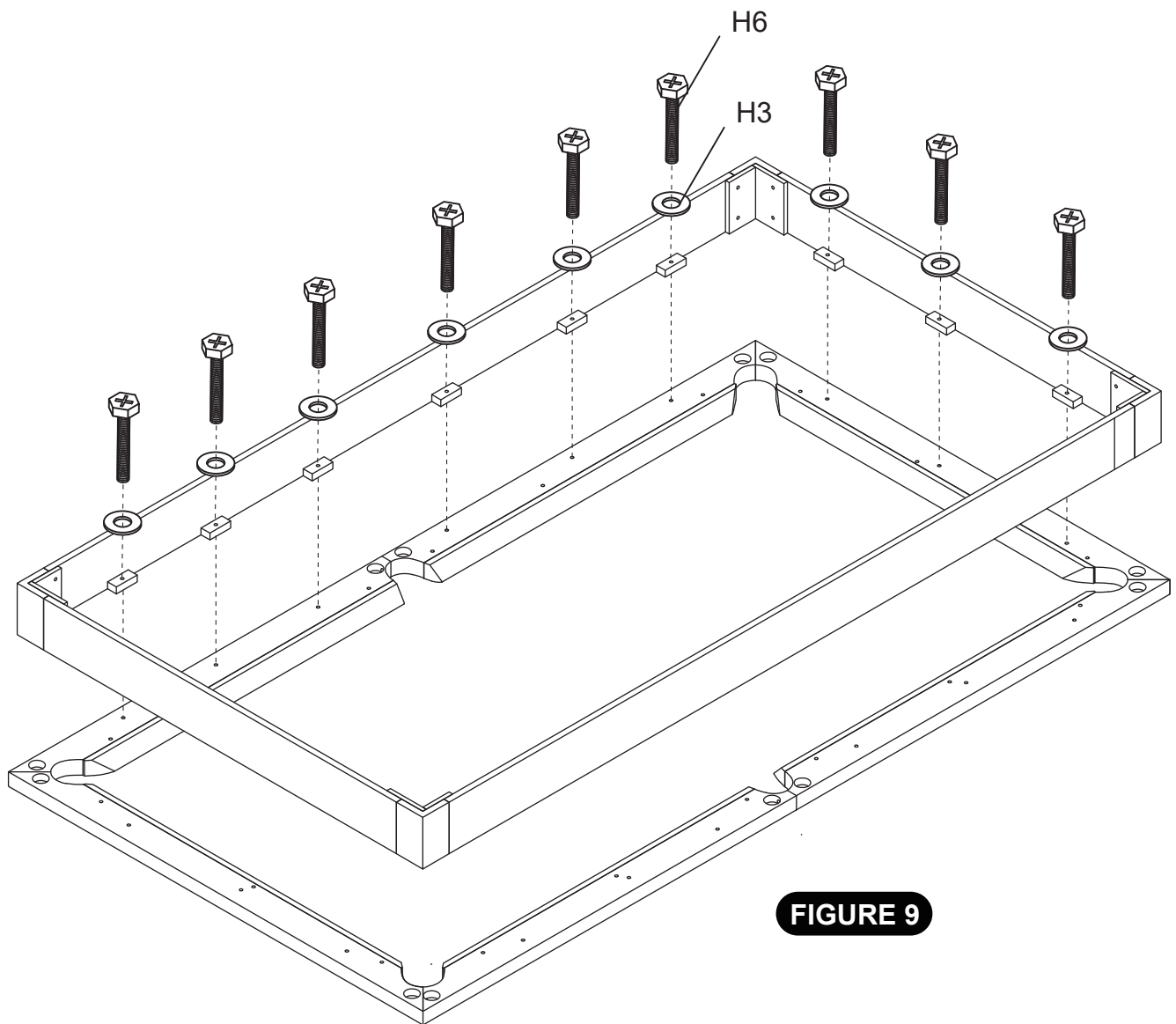
## PARTS REQUIRED:

18 PCS **H3** - 3/8" x 3/4" FLAT WASHER

18 PCS **H6** - 3/8" x 2" PHILLIPS HEX HEAD BOLT

### STEP 8:

Attach Blinds assembly from **STEP 7** to Top Rails assembly from **STEP 6**, use Phillips Hex Head Bolts **H6**, Flat Washers **H3** as shown in **FIGURE 9**.



## PARTS REQUIRED:

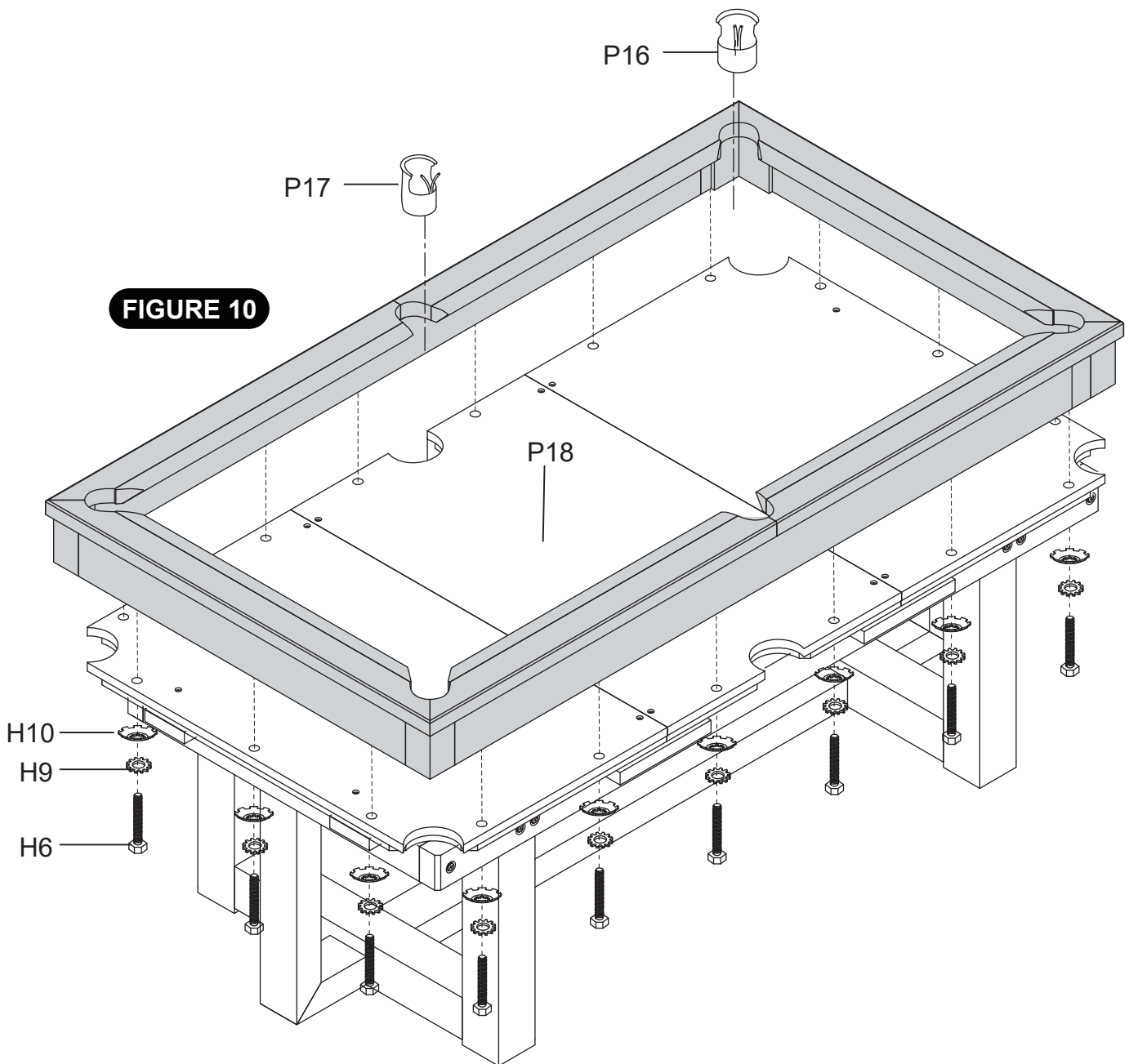
18 PCS **H6** - 3/8" x 2" PHILLIPS HEX HEAD BOLT  
18 PCS **H9** - LOCK WASHER  
18 PCS **H10** - DOME WASHER

4 PCS **P16** - CORNER POCKET  
2 PCS **P17** - CENTER SIDE POCKET

### STEP 9:

Attach Top Rail/Blinds assembly from **STEP 8** to Slate **P18**, use Phillips Hex Head Bolts **H6**, Lock Washers **H9**, Dome Washers **H10**, as shown in **FIGURE 10**.

Attach Corner Pockets **P16** and Center Side Pockets **P17** to table as shown in **FIGURE 10**.



## SPARE PARTS LIST

KEY#	PART#	DESCRIPTION	QTY
H1	PTAECH1	Φ10 X 30 mm WOOD DOWEL	36
H2	PTAECH2	5/16" x 3/4" FLAT WASHER	72
H3	PTAECH3	3/8" x 3/4" FLAT WASHER	66
H4	PTAECH4	5/16" x 1-1/4" PHILLIPS HEX HEAD BOLT	20
H5	PTAECH5	5/16" HEX NUT	16
H6	PTAECH6	3/8" x 2" PHILLIPS HEX HEAD BOLT	36
H7	PTAECH7	5/16" x 3" BOLT	6
H8	PTAECH8	1/4" x 2-1/2" PHILLIPS HEX HEAD SCREW	12
H9	PTAECH9	LOCK WASHER	18
H10	PTAECH10	DOME WASHER	18
H11	PTAECH11	5/16" x 3-1/2" PHILLIPS HEX HEAD BOLT	28
H12	PTAECH12	5/16" x 4" PHILLIPS HEX HEAD BOLT	8
H13	PTAECH13	3/8" x 5-3/4" PHILLIPS HEX HEAD BOLT	24
H14	PTAECH14	3/8" HEX NUT	24
H15	PTAECH15	RUBBER MAT WITH 3M ADHESIVE GLUE	2
P1	PTAACP1	LEFT SIDE TOP RAIL	2
P2	PTAACP2	RIGHT SIDE TOP RAIL	2
P3A	PTAACP3A	END SIDE TOP RAIL	1
P3B	PTAACP3B	END SIDE TOP RAIL WITH AHB NAME PLATE	1
P4	PTAACP4	LONG SIDE BLIND	2
P5	PTAACP5	END BLIND	2
P6	PTAACP6	CORNER BLIND	4
P7	PTAACP7	LONG SIDE BEAM	2
P8	PTAACP8	END BEAM	2
P9	PTAACP9	CENTER BEAM	2
P10	PTAACP10	END SLATE SUPPORT BLOCK	4
P11	PTAACP11	SIDE SLATE SUPPORT BLOCK	4
P12	PTAACP12	WOOD LEG	4
P13	PTAACP13	WOOD END LEG	2
P14	PTAACP14	METAL L-SHAPE LEG	2
P15	PTAACP15	METAL STRETCHER	1
P16	PTAACP16	CORNER POCKET	4
P17	PTAACP17	CENTER SIDE POCKET	2
P18	PTAACP18	SLATE	1
K1	PTAECK1	HARDWARE KIT	1
M1	PTAECM1	OWNER'S MANUAL	1

# ONE YEAR WARRANTY

## WARRANTY

All American Heritage Billiard pool tables are guaranteed by a lifetime warranty against manufacturing defects and craftsmanship from the date of purchase of the original owner. Cloth is not included with purchase. Purchase your choice of cloth style and color separately.

Warranty does not include re-leveling of the table after a successful initial installation.

Variations in wood materials are to be expected. Organic variations in grain, color, and texture are naturally occurring properties of wood and do not qualify for a warranty claim.

Contact American Heritage Customer Service to begin a warranty claim.

**Phone:** 1-800-835-7665 (Toll-FREE!)

**Hours:** 10:00 - 6:00 EST, Monday - Friday

**E-mail:** [Claims@AmericanHeritageBilliards.com](mailto:Claims@AmericanHeritageBilliards.com)

## CARE AND MAINTENANCE

- Dust with a soft, dry cloth.
- To protect the finish, do not apply abrasives or household cleaners.

<https://www.americanheritagebilliards.com/>