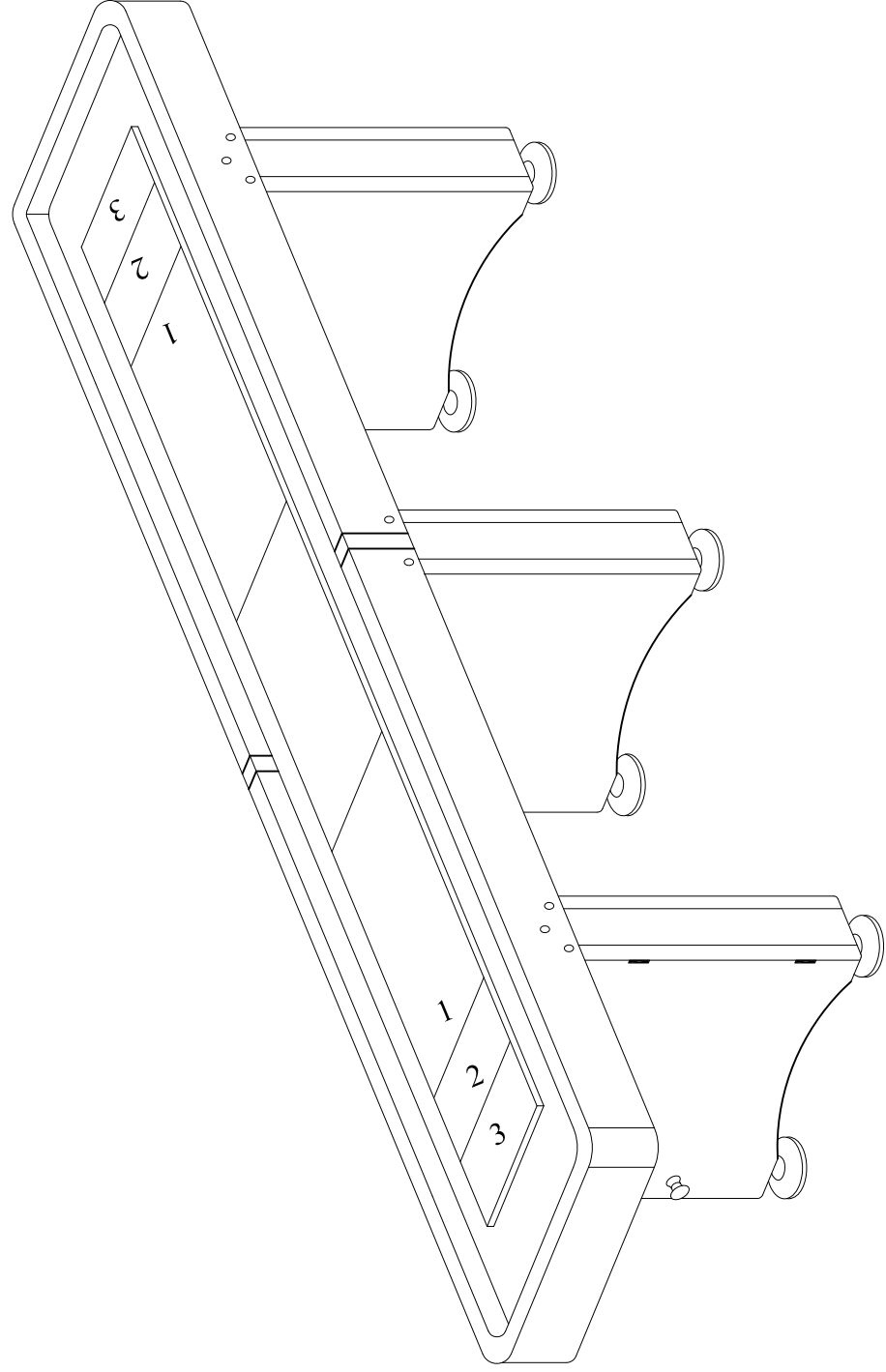


# INSTRUCTION MANUAL FOR SHUFFLEBOARD

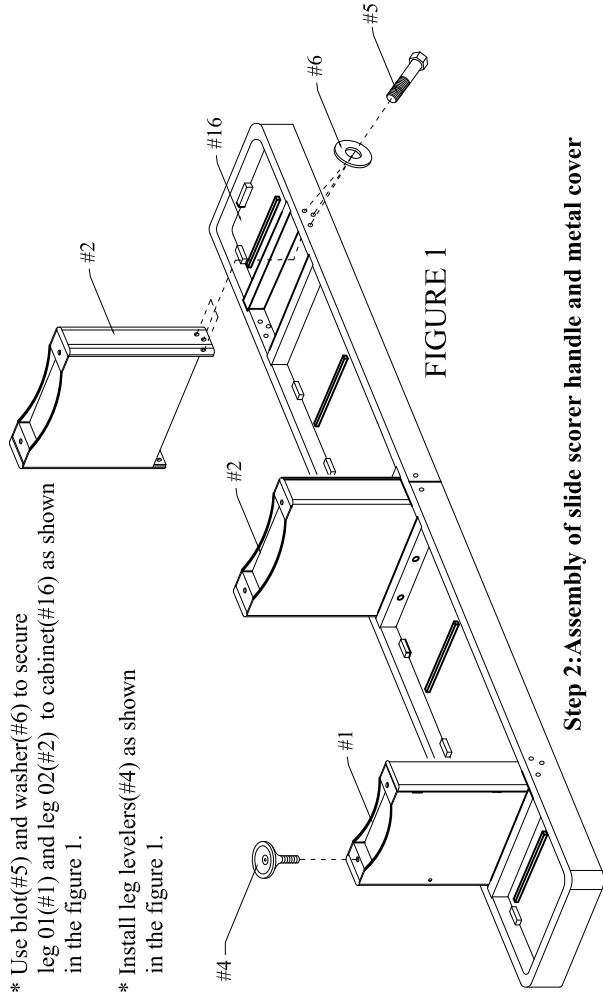


# ASSEMBLY INSTRUCTION

## Step 1: Assembly of Legs

\* Use blot(#5) and washer(#6) to secure leg 01(#1) and leg 02(#2) to cabinet(#16) as shown in the figure 1.

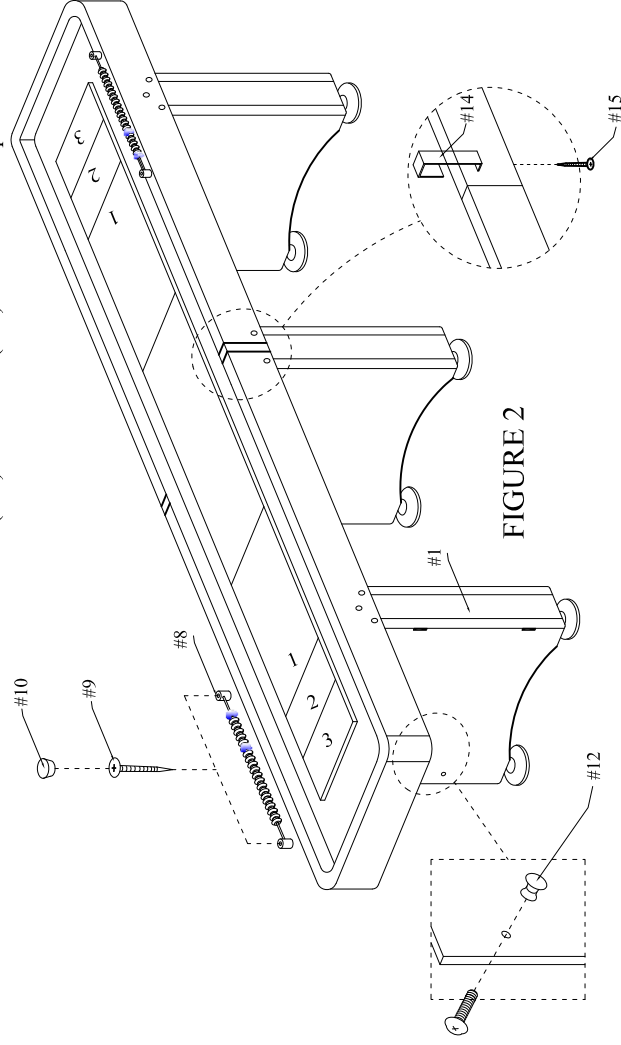
\* Install leg levelers(#4) as shown in the figure 1.



## Step 2: Assembly of slide scorer handle and metal cover

NOTE: Do not allow the weight of the table to rest on the side of the legs. Use two person or more persons to turn the table right side up.

- \* Use blot to handle(#12) to secure leg 01(#1) as shown in the figure 2.
- \* Use screw(#9) to attach the wood scorer(#8) to the cabinet as shown.
- \* Put the wood cap(#10) into screw holes.
- \* Fix metal cover (#14) with screw (#15) as shown in the picture 2.



# ASSEMBLY INSTRUCTION

#1		Leg 01 1 pc
#2		Leg 02 2 pcs
#3		Board 1 pc
#4		Leg Leveler 6 pcs
#5		5/16"*2-1/4" Bolt 16 pcs
#6		5/16"*23mm Washer 16 pcs
#7		Red and blue puck each 4 pcs
#8		Slide scoring unit 2 set
#9		Screw F4*1-1/2" 4 pcs
#10		Wood cap 4 pcs
#11		Wrench 1 pc
#12		Handle 1 set
#13		Shuffleboard speed wax 1 pc
#14		Metal cover 2 pcs
#15		Screw F3*12mm 4 pcs
#16		Cabinet 1 pc