

USER MANUAL RAW S1

LQ-RAS101-CA-0GG



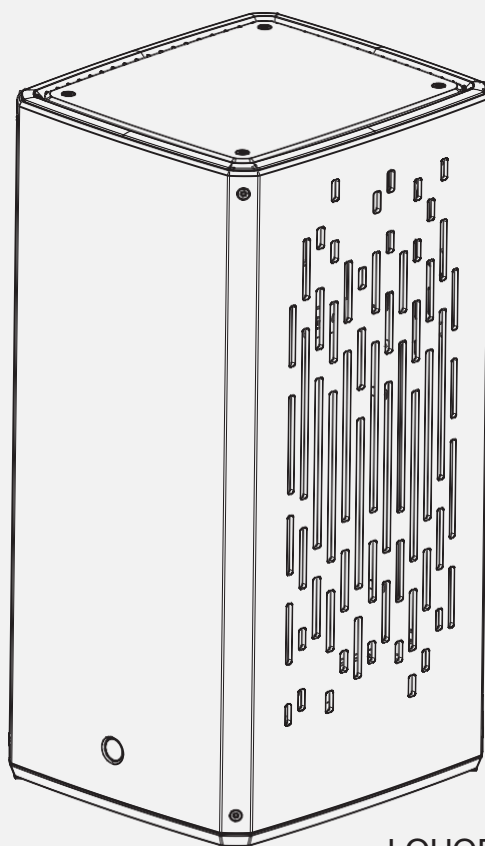
LOUQE AB

Lövgatan 30, 169 32 Solna Sweden
hello@louqe.com www.louqe.com

RAW

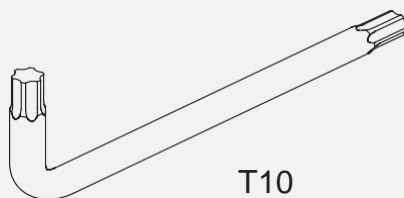
RAW S1 USER MANUAL

BOX CONTENT



LOUQE RAW S1
Case

INSIDE PLASTIC BAG



T10
Torx key



8x
M3x8 button head

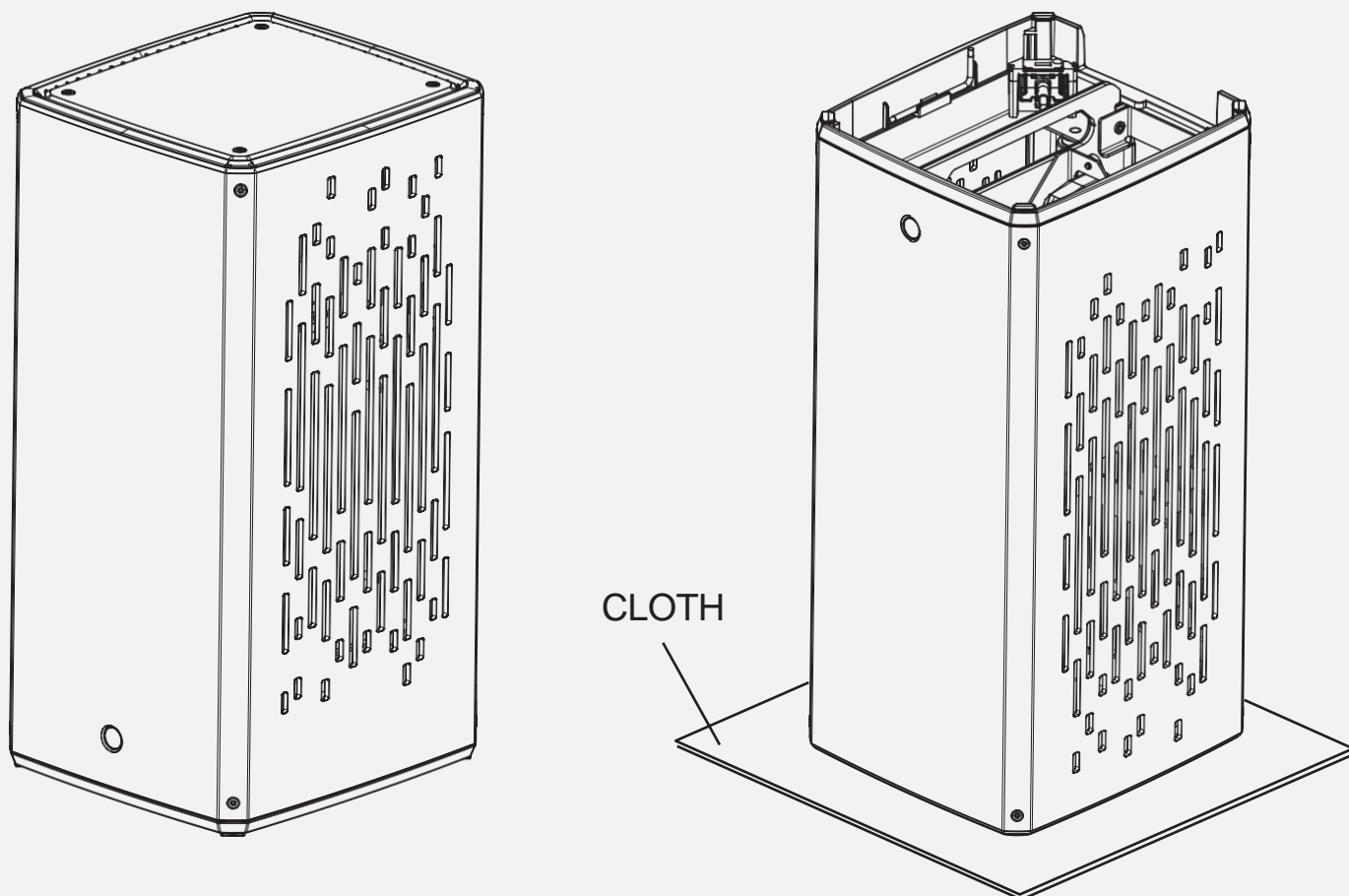


4x
#6-32 UNC



RAW S1 USER MANUAL

ILLUSTRATION



ASSEMBLY STEPS

- Place the case upside down

SCREWS

None in this step

NOTE: Place the case on a cloth to avoid scratches

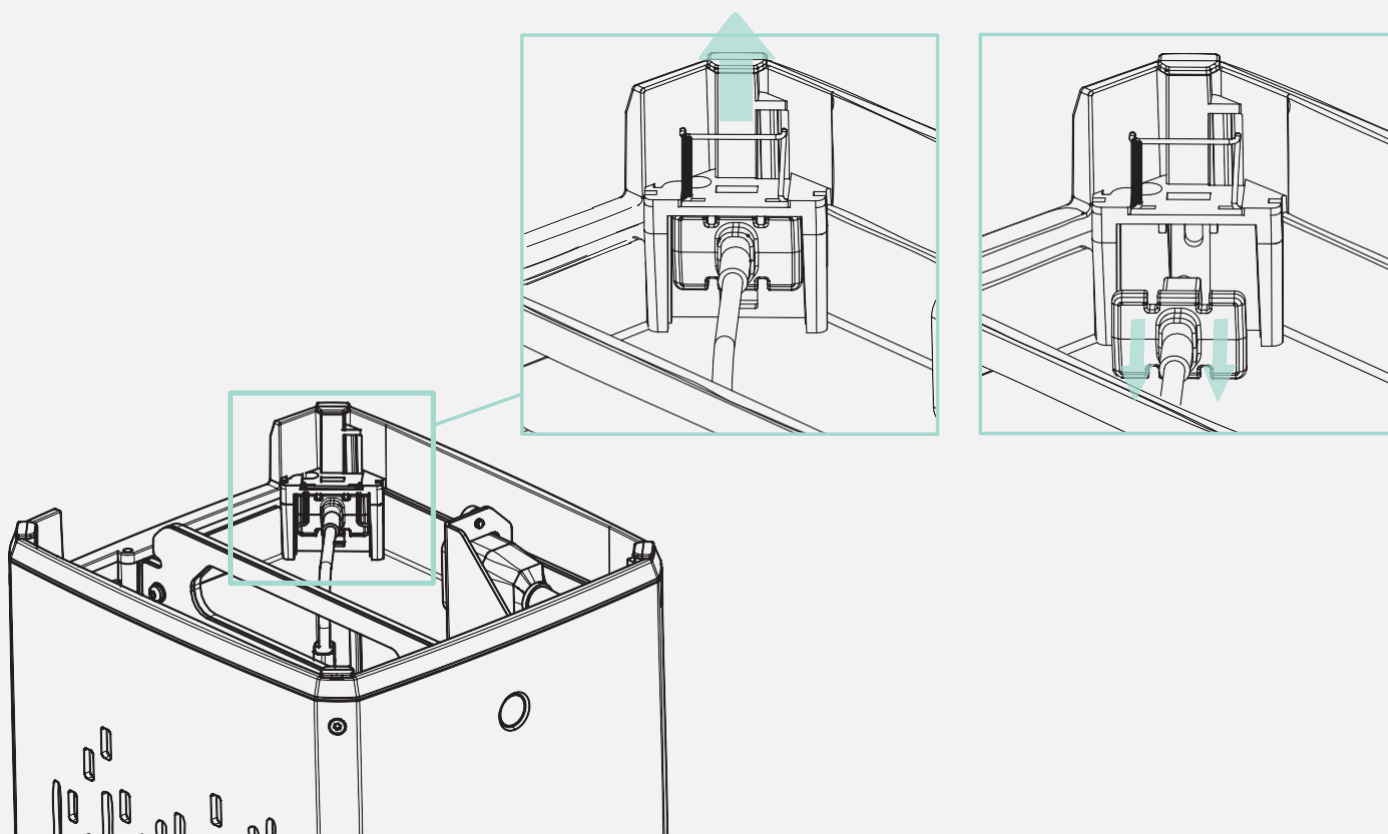


LOUQE AB
Lövgatan 30, 169 32 Solna Sweden
hello@louqe.com www.louqe.com

RAW 3

RAW S1 USER MANUAL

ILLUSTRATION



ASSEMBLY STEPS

Detach the USB-C extension cable

- Lift the quick lock
- Pull out the USB-C extension cable from its position

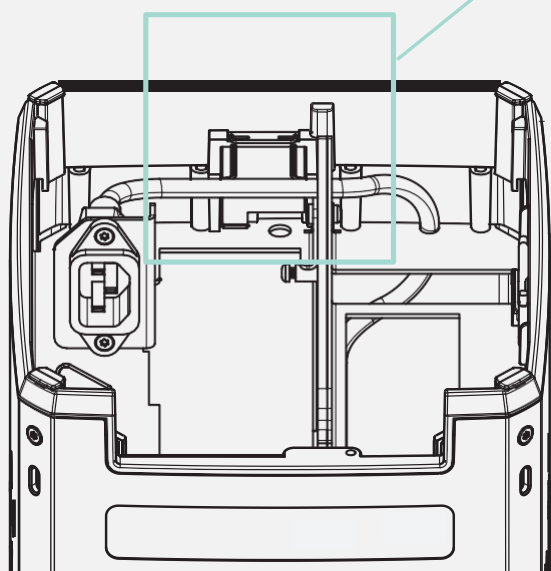
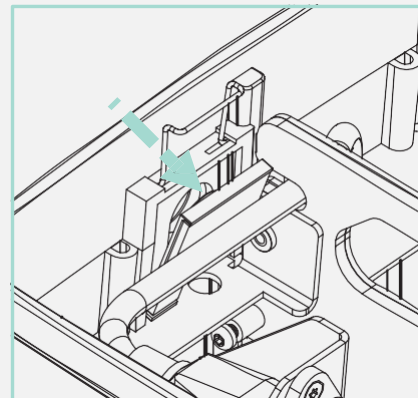
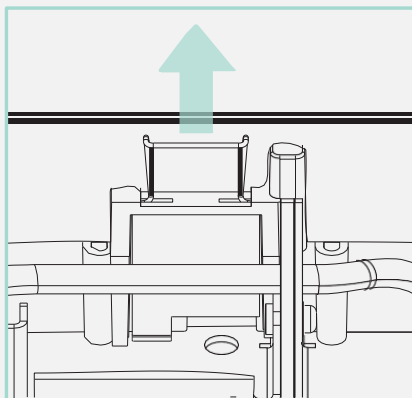
SCREWS

None in this step



RAW S1 USER MANUAL

ILLUSTRATION



ASSEMBLY STEPS

Detach the power button

- Lift the quick lock
- Apply inwards pressure on the power button to tilt it inwards

SCREWS

None in this step

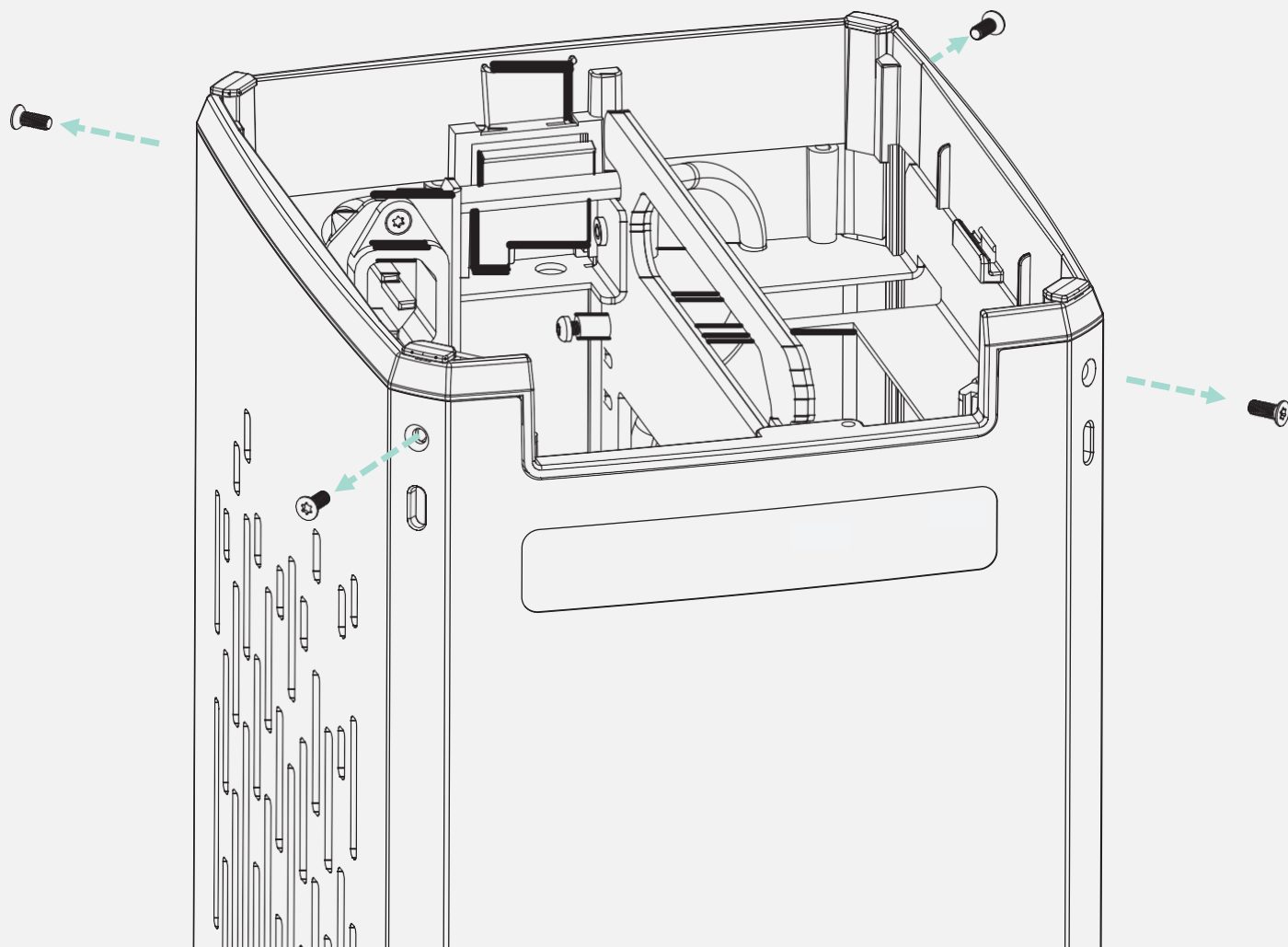
NOTE: Make sure that the aluminum button clears the unibody



LOUQE AB
Lövgatan 30, 169 32 Solna Sweden
hello@louqe.com www.louqe.com

RAW S1 USER MANUAL

ILLUSTRATION



ASSEMBLY STEPS

- Unscrew the screws in the corners of the case

SCREWS

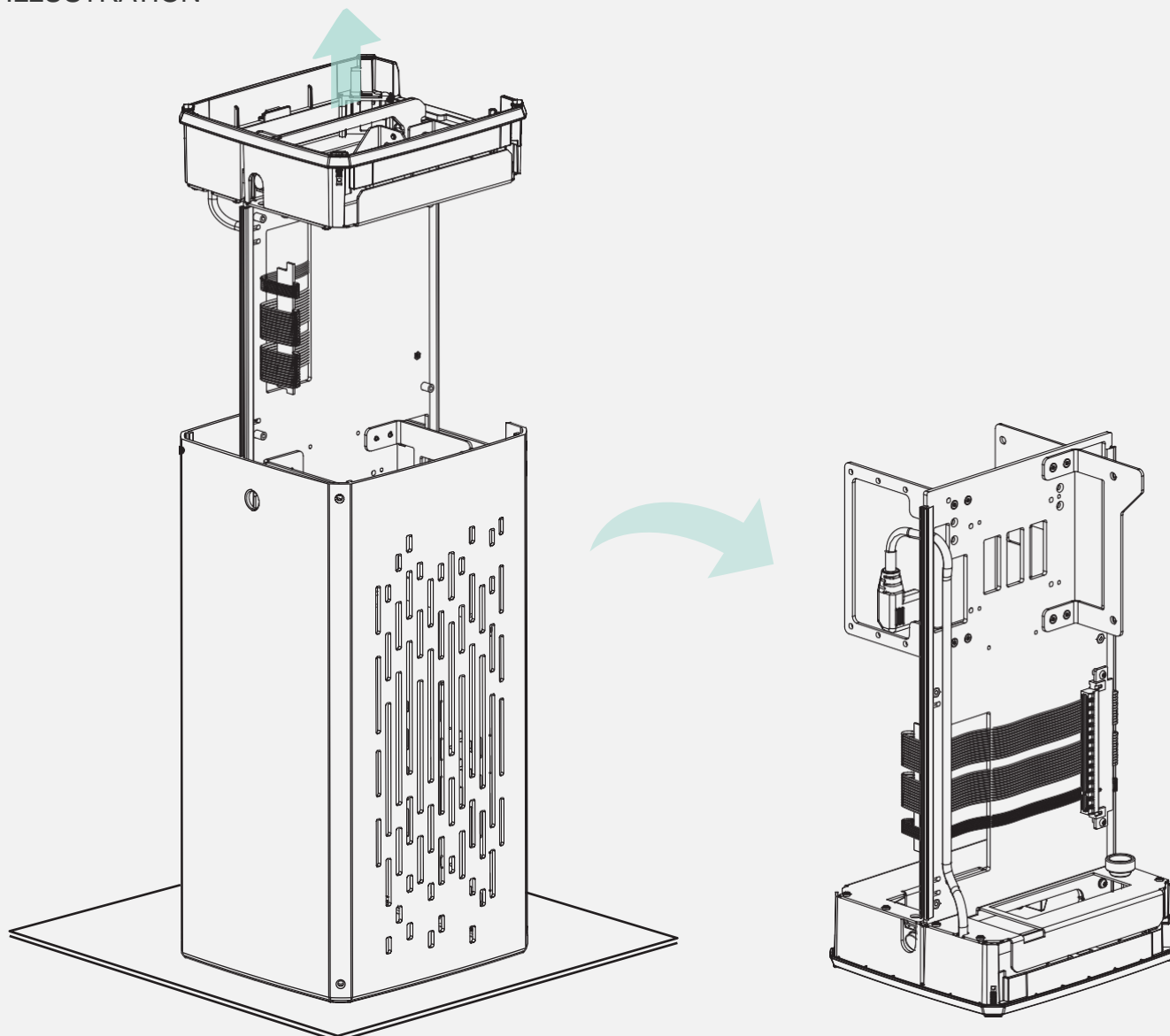


LOUQE AB
Lövgatan 30, 169 32 Solna Sweden
hello@louqe.com www.louqe.com

RAW 6

RAW S1 USER MANUAL

ILLUSTRATION



ASSEMBLY STEPS

- Pull out the core from the unibody by the handle

SCREWS

None in this step

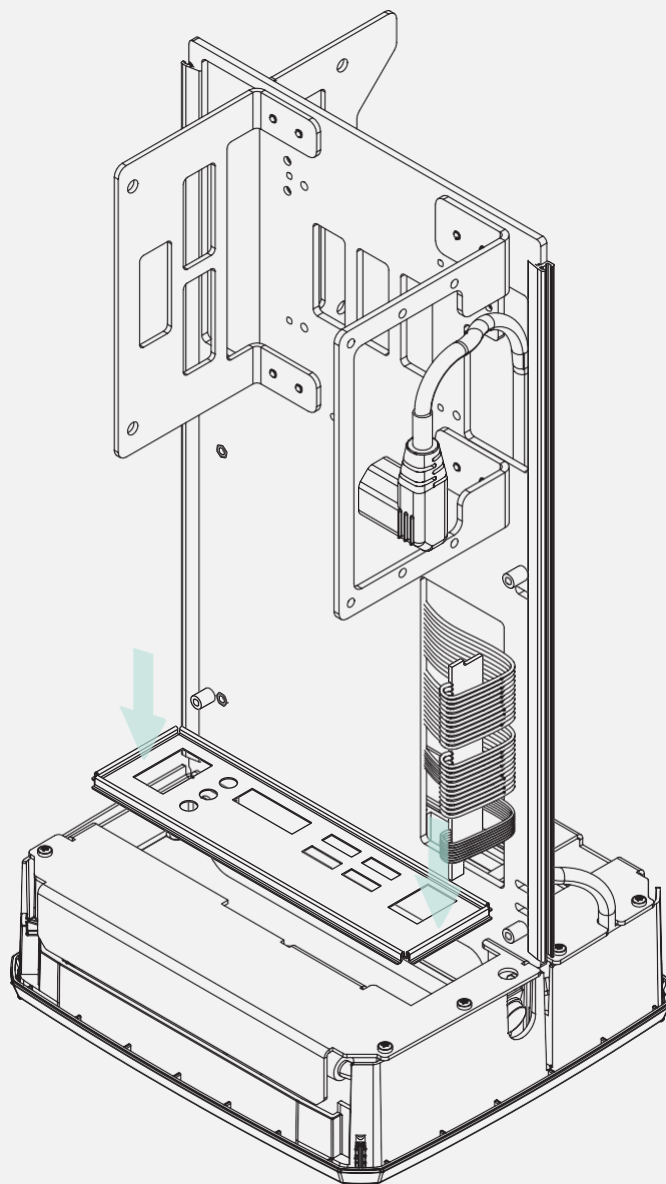


LOUQE AB
Lövgatan 30, 169 32 Solna Sweden
hello@louqe.com www.louqe.com

RAW 7

RAW S1 USER MANUAL

ILLUSTRATION



ASSEMBLY STEPS

- Install the motherboard I/O shield included with your motherboard

SCREWS

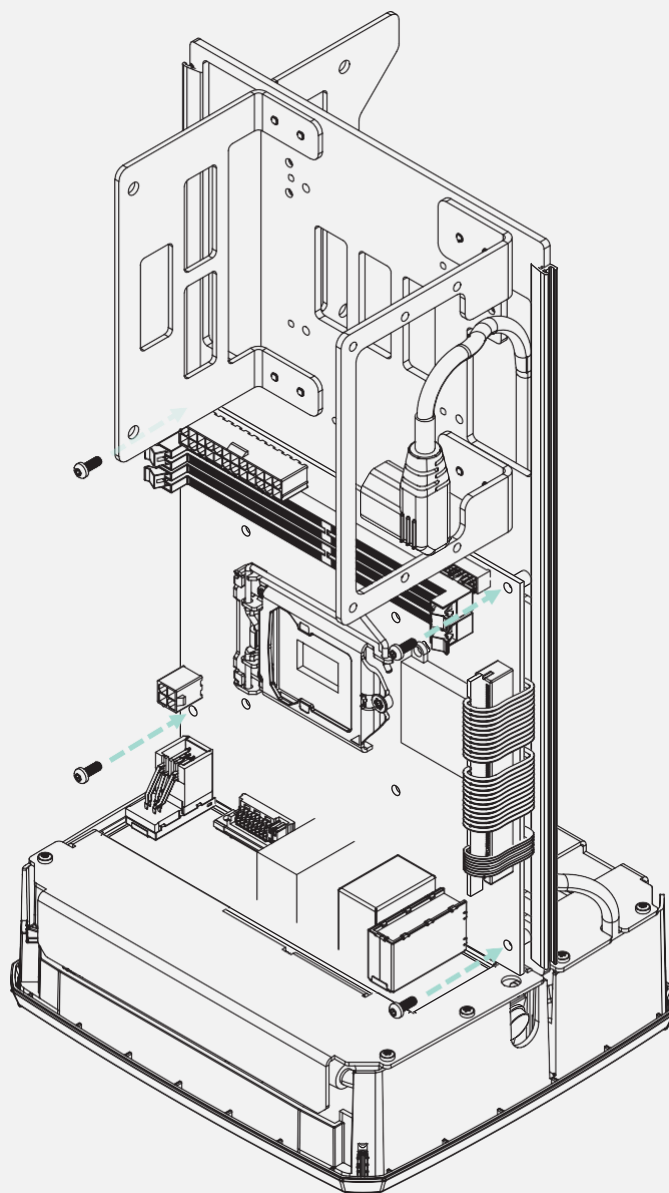
None in this step



LOUQE AB
Lövgatan 30, 169 32 Solna Sweden
hello@louqe.com www.louqe.com

RAW S1 USER MANUAL

ILLUSTRATION



ASSEMBLY STEPS

- Install the motherboard by aligning it with the I/O shield and screw it in place using four M3x8 button head screws
- Connect PCI-e riser cable into the motherboards PCI-e slot

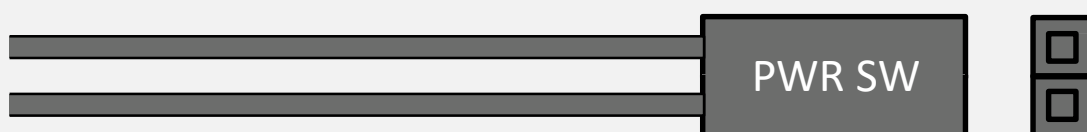
NOTE: Make sure no wires extend outside of the blade edges

SCREWS



RAW S1 USER MANUAL

ILLUSTRATION



ASSEMBLY STEPS

- Connect the power button switch cables to your motherboard's PWR SW pins.

NOTE: You may need to consult your motherboard user manual

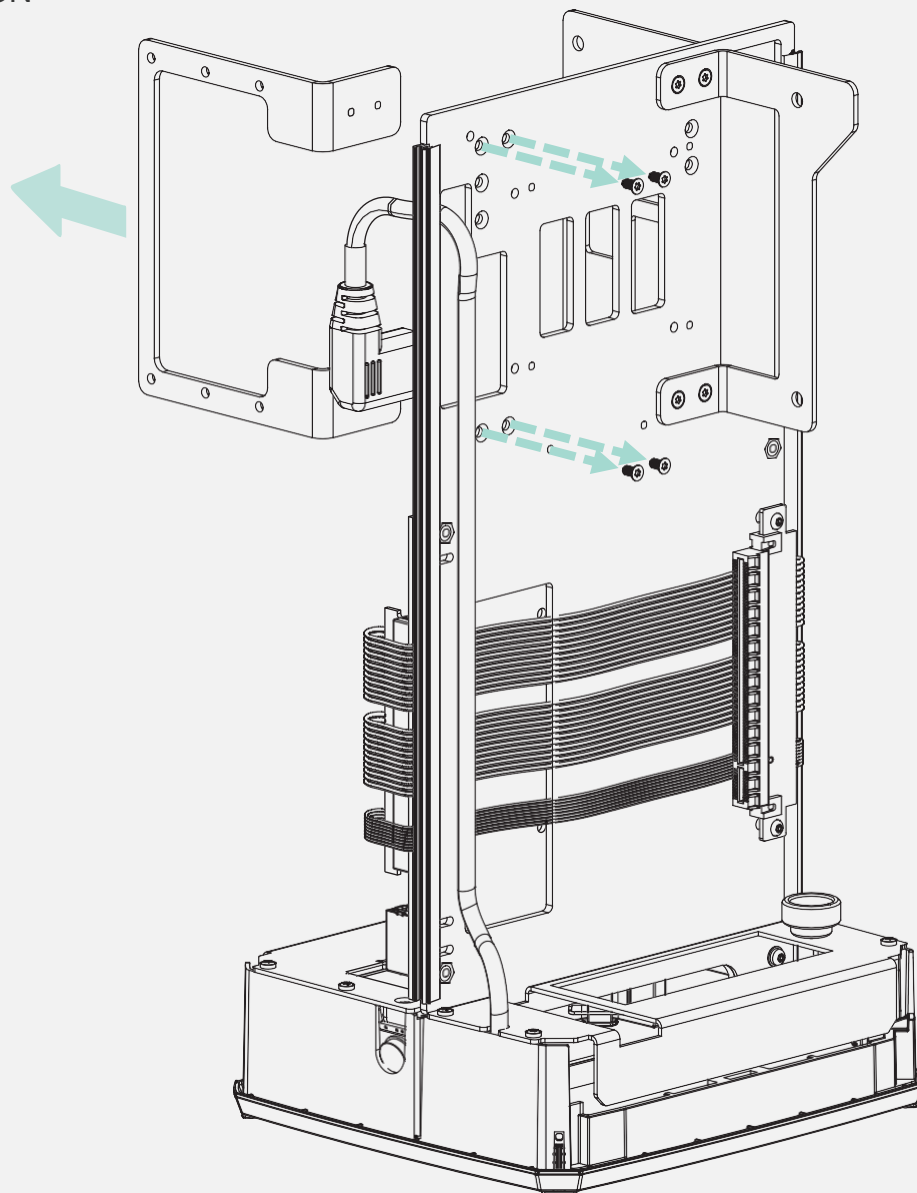
SCREWS

None in this step



RAW S1 USER MANUAL

ILLUSTRATION



ASSEMBLY STEPS

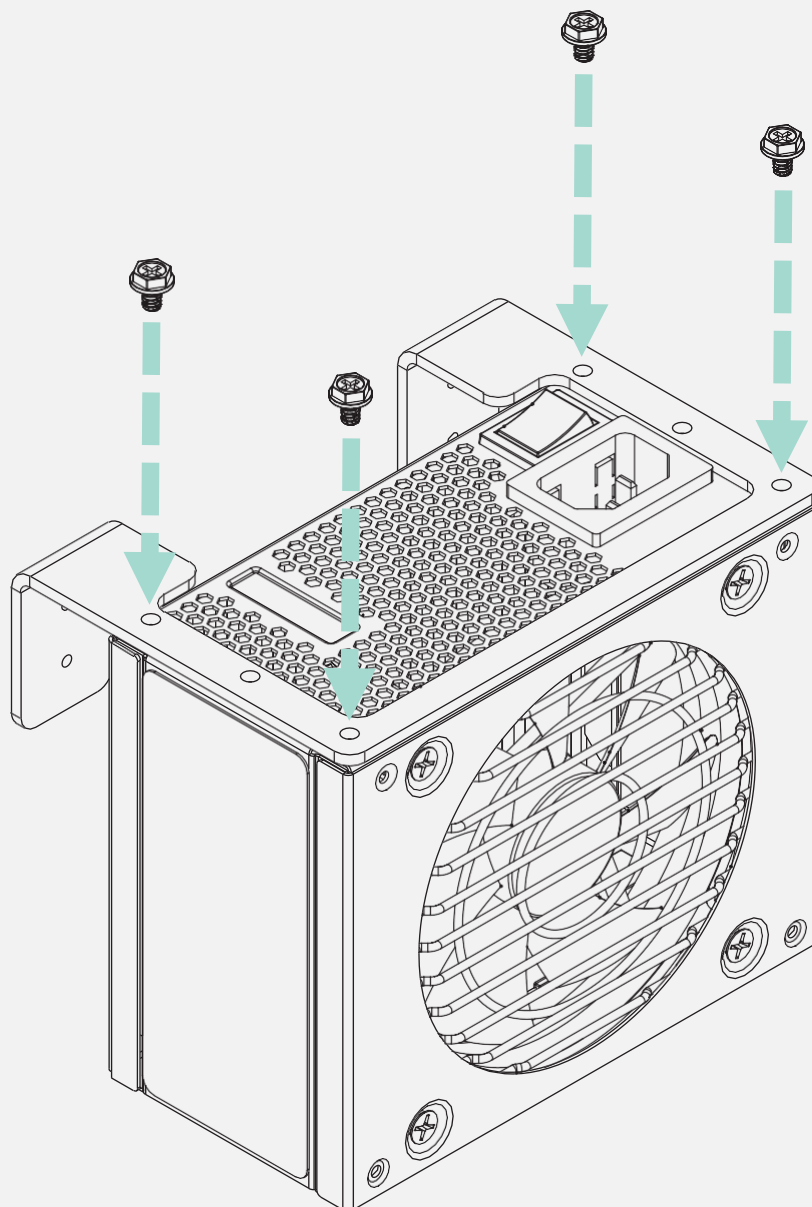
- Remove the PSU bracket by unscrewing the four M3x6 countersunk screws

SCREWS



RAW S1 USER MANUAL

ILLUSTRATION



ASSEMBLY STEPS

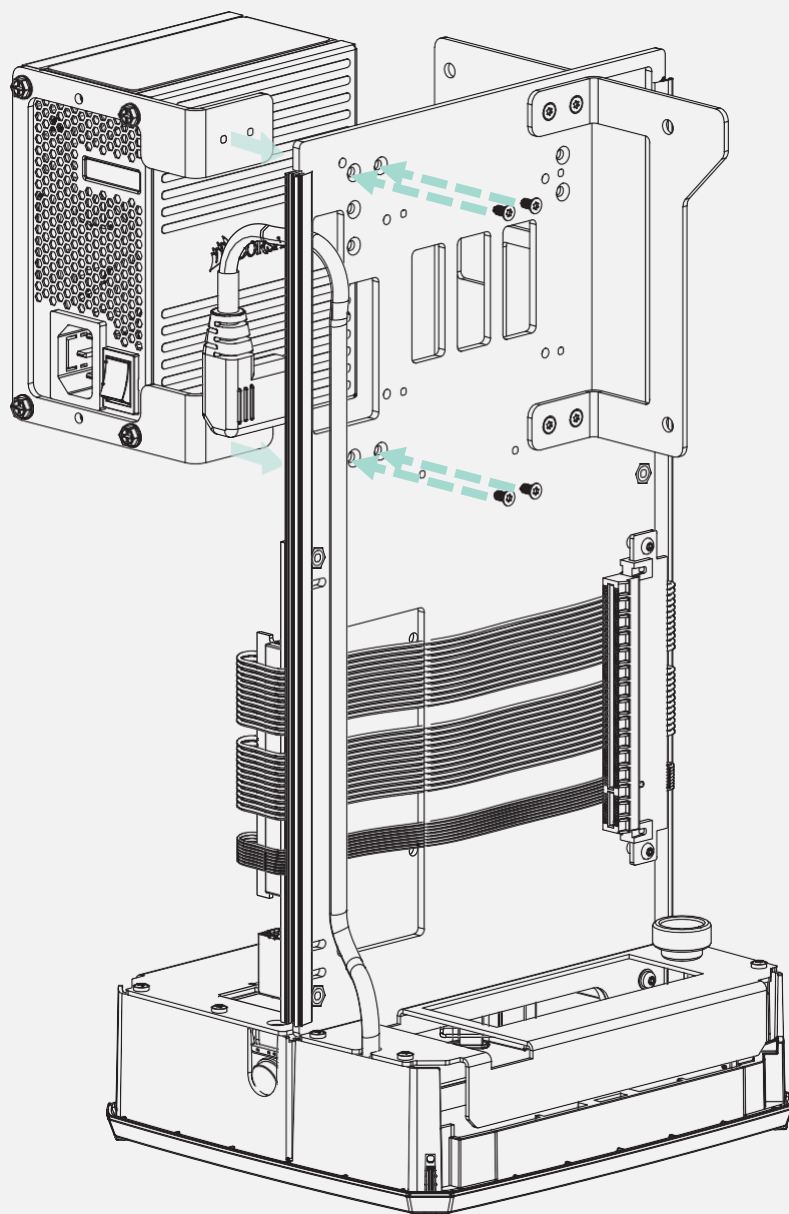
- Attach the power supply unit to the PSU bracket using the four #6-32 UNC PSU screws

SCREWS



RAW S1 USER MANUAL

ILLUSTRATION



ASSEMBLY STEPS

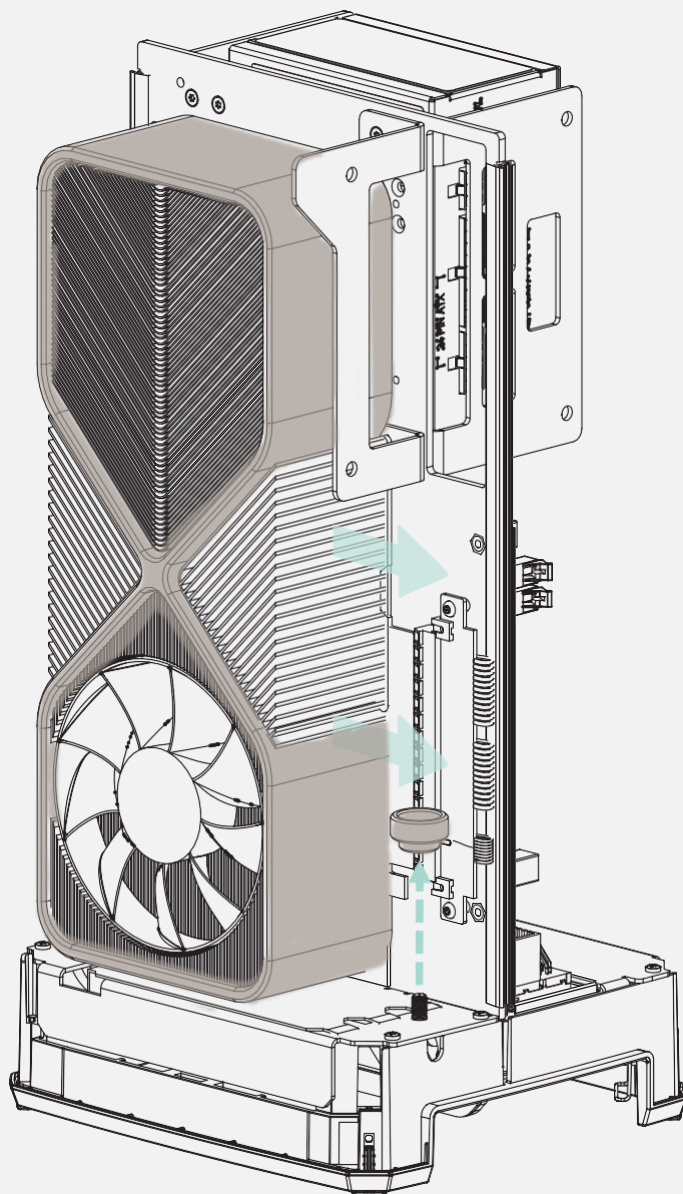
- Connect the power cables needed for the PSU and feed them to an appropriate position
- Attach the PSU bracket and power supply unit, using the four M3x6 countersunk screws
- Connect both the 24-pin power cable and the CPU 8-pin (or 4-pin) power to the motherboard

SCREWS



RAW S1 USER MANUAL

ILLUSTRATION



ASSEMBLY STEPS

- Unscrew the GPU knob
- Insert the graphics card and slot it into the PCI-E riser
- Screw down the GPU knob
- Connect PCI-e power feed cables to the graphics card if needed

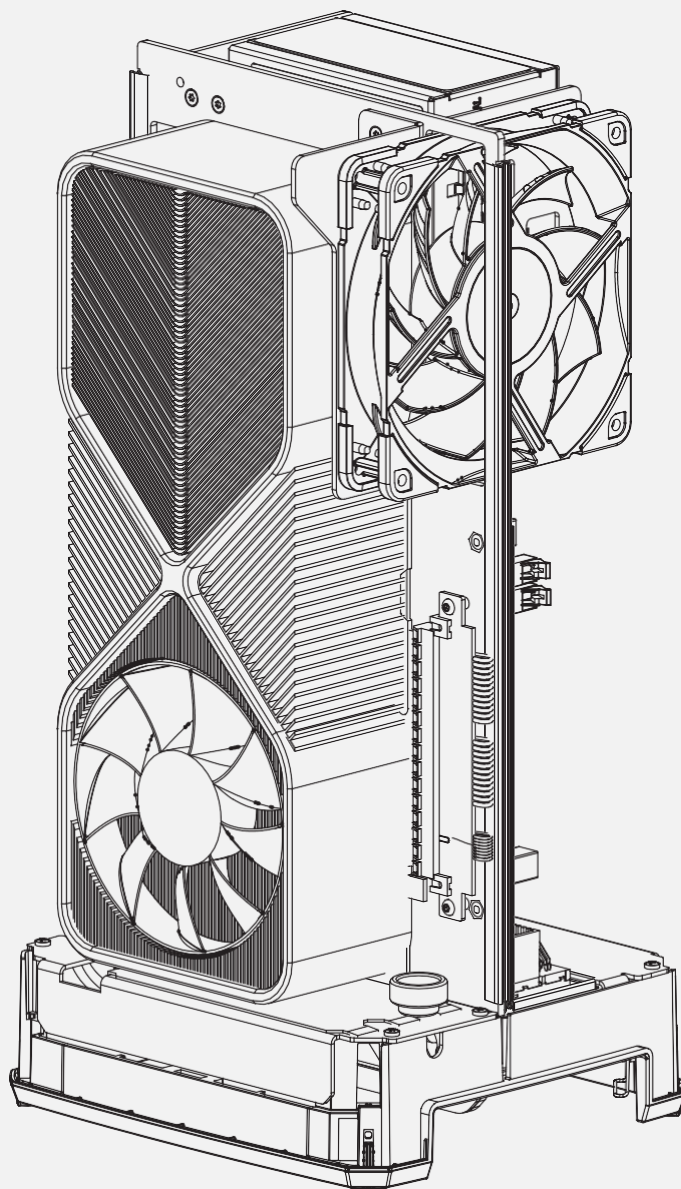
SCREWS

None in this step



RAW S1 USER MANUAL

ILLUSTRATION



ASSEMBLY STEPS

OPTIONAL STEP

- Attach a 120 mm fan to the fan bracket in exhaust configuration

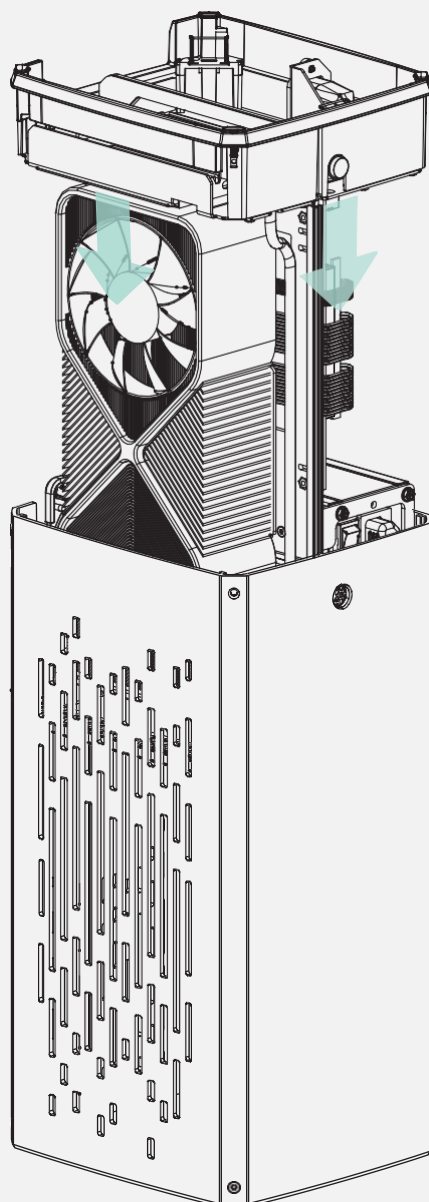
SCREWS

Use screws included with your fan



RAW S1 USER MANUAL

ILLUSTRATION



ASSEMBLY STEPS

- Slide the assembled core gently into the unibody.

NOTE: Make sure no cables are protruding outside of the unibody

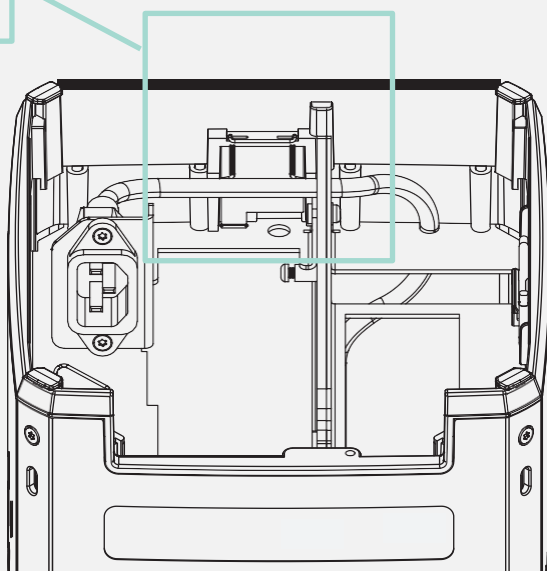
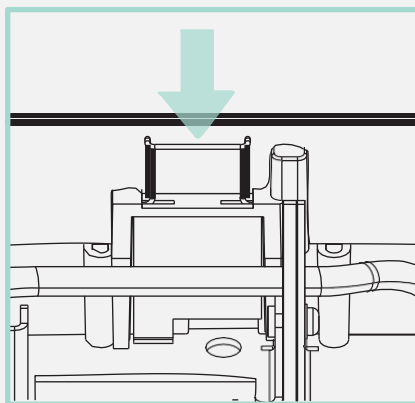
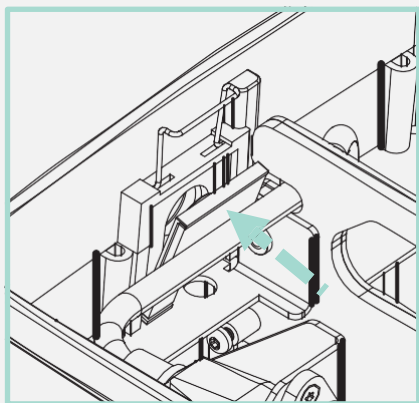
SCREWS

None in this step



RAW S1 USER MANUAL

ILLUSTRATION



ASSEMBLY STEPS

Reattach the power button

- Apply outward pressure to slot the power button in its position, the PCB should sit flat against the body
- Push down the quick lock

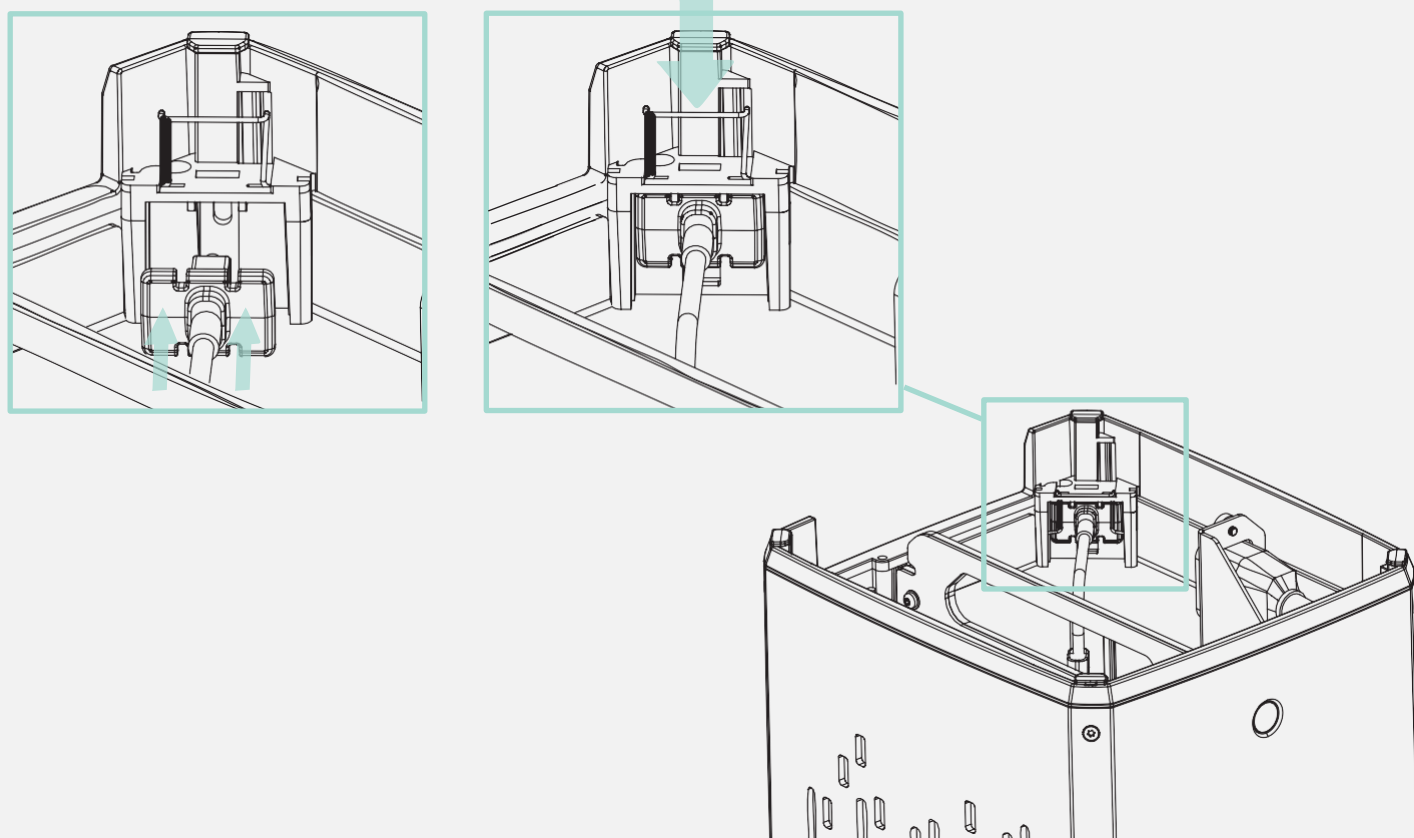
SCREWS

None in this step



RAW S1 USER MANUAL

ILLUSTRATION



ASSEMBLY STEPS

Re-attach the USB-C extension

- Insert the USB-C extension cable to original position
- Push down the quick lock.
- Insert the other end of the extension cable to your motherboard

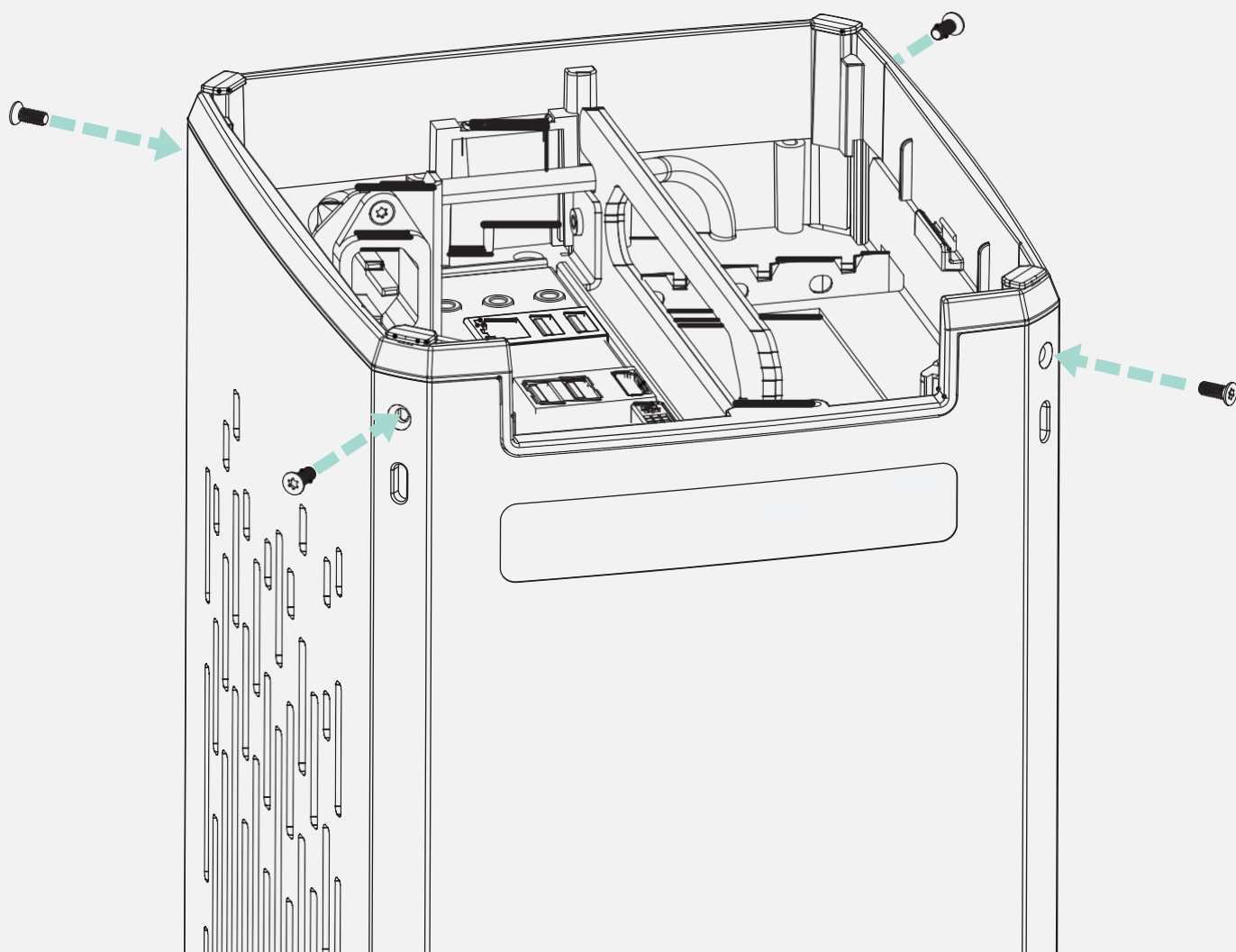
SCREWS

None in this step



RAW S1 USER MANUAL

ILLUSTRATION



ASSEMBLY STEPS

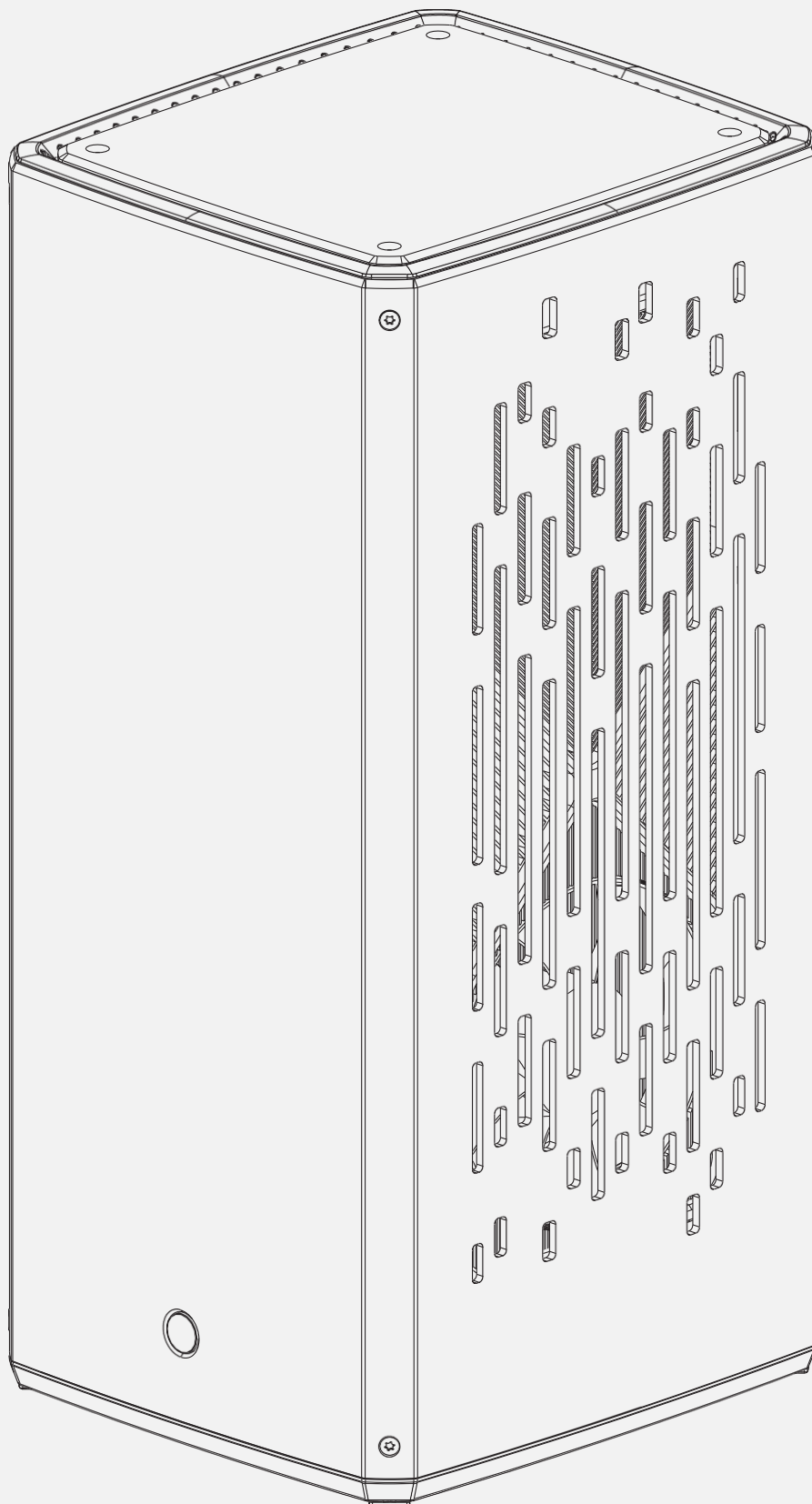
- Re-attach the screws in the corners of the case

SCREWS



RAW S1 USER MANUAL

FINISHED RESULT



LOUQE AB
Lövgatan 30, 169 32 Solna Sweden
hello@louqe.com www.louqe.com



LOUQE AB

Lövgatan 30, 169 32 Solna Sweden
hello@louqe.com www.louqe.com

RAU