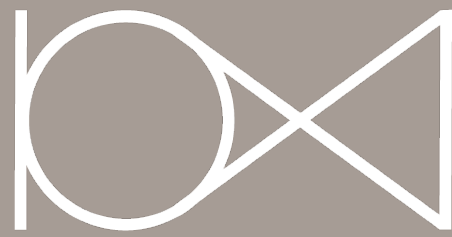


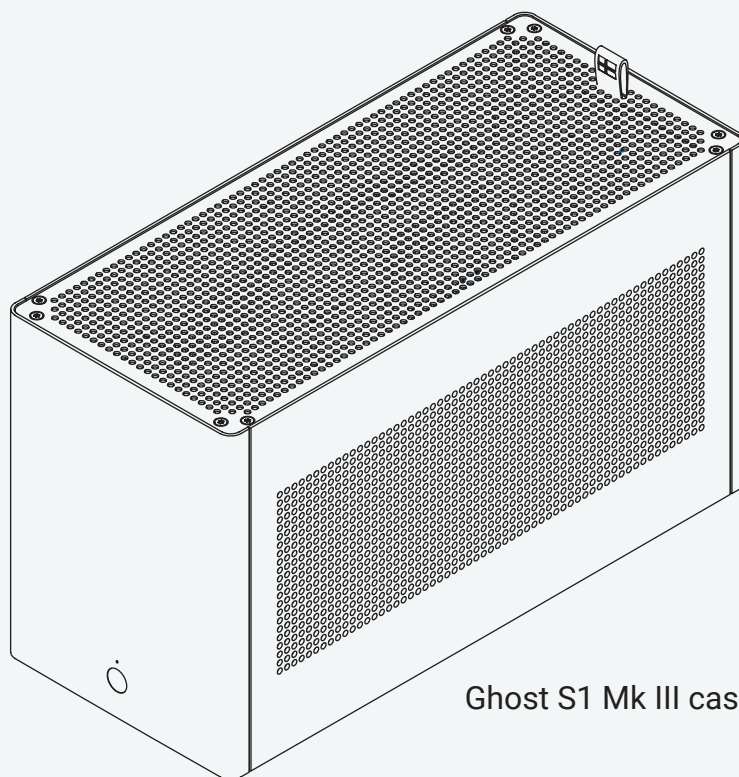
GHOST S1 Mk III
LQ-GHS103-CA

USER MANUAL (ENG)

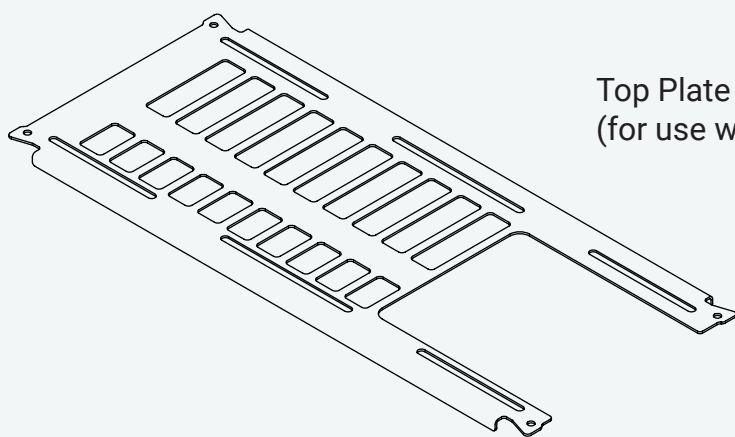


GHOST S1 Mk III USER MANUAL

BOX CONTENT



Ghost S1 Mk III case



Top Plate / mounting platform
(for use with TopHat)

T10 torx key



8x M3x6 countersunk



4x M3x6 button head



8x M3x4 button head

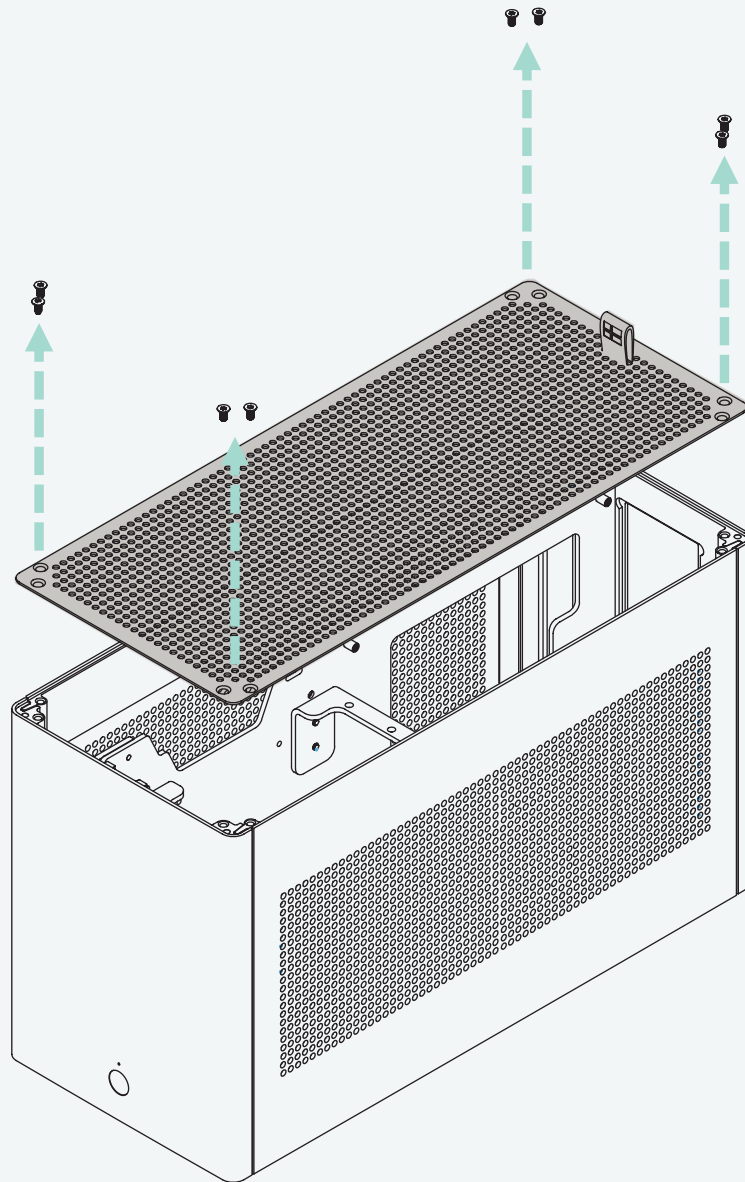


4x #6-32 UNC



GHOST S1 Mk III USER MANUAL

ILLUSTRATION



ASSEMBLY STEPS

- Unscrew the 8 countersunk screws that hold the grill
- Lift the grill away by pulling the rag tag in the back

SCREWS

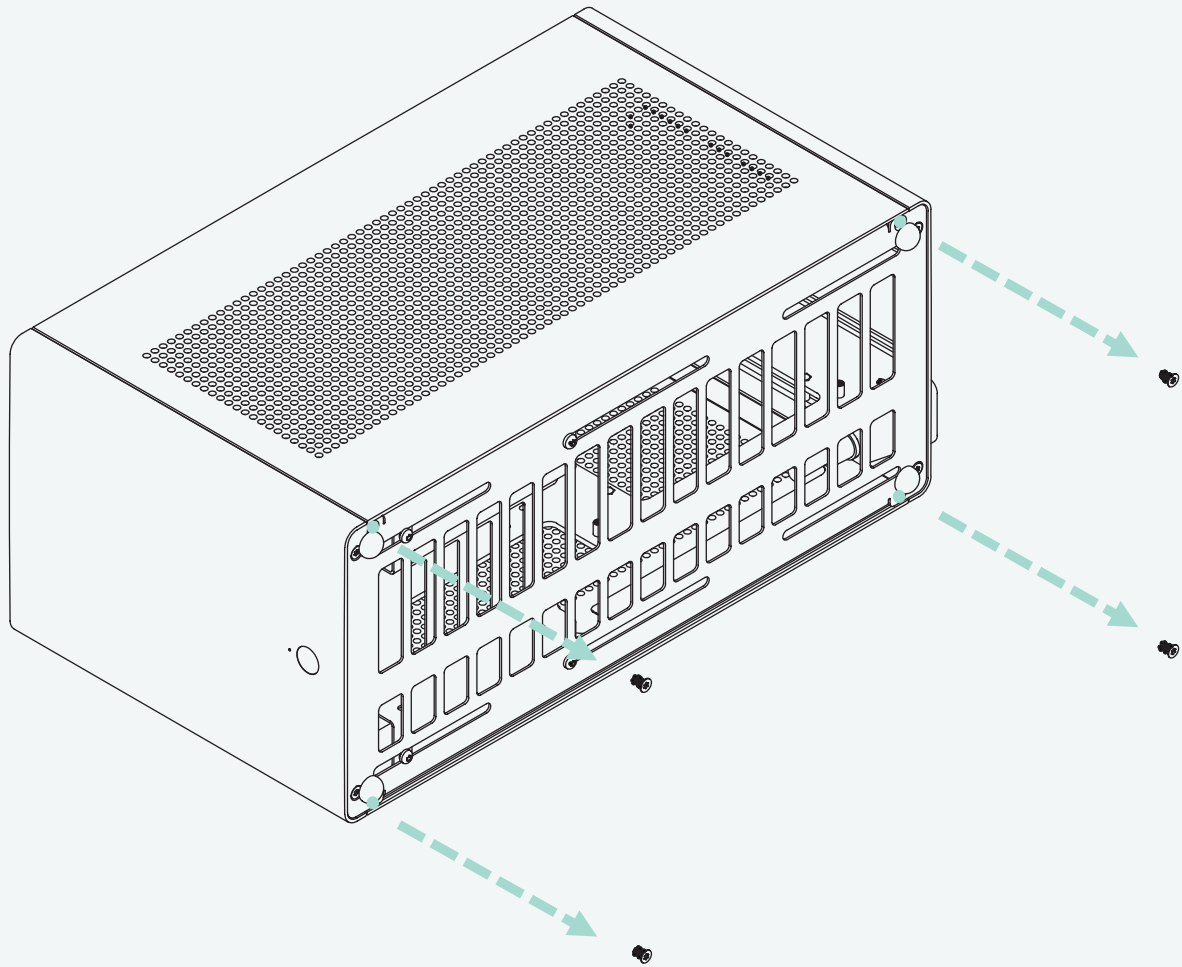


x8



GHOST S1 Mk III USER MANUAL

ILLUSTRATION



ASSEMBLY STEPS

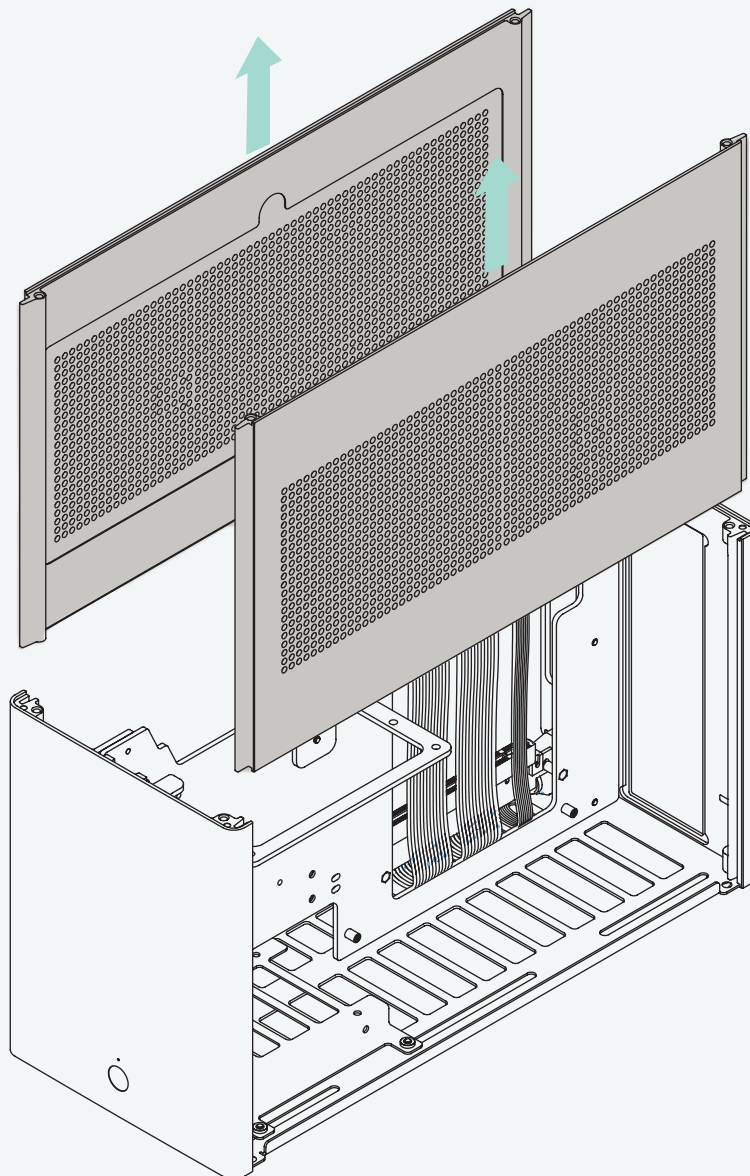
- Unscrew the 4 bottom screws that are holding down the side panels

SCREWS



GHOST S1 Mk III USER MANUAL

ILLUSTRATION



ASSEMBLY STEPS

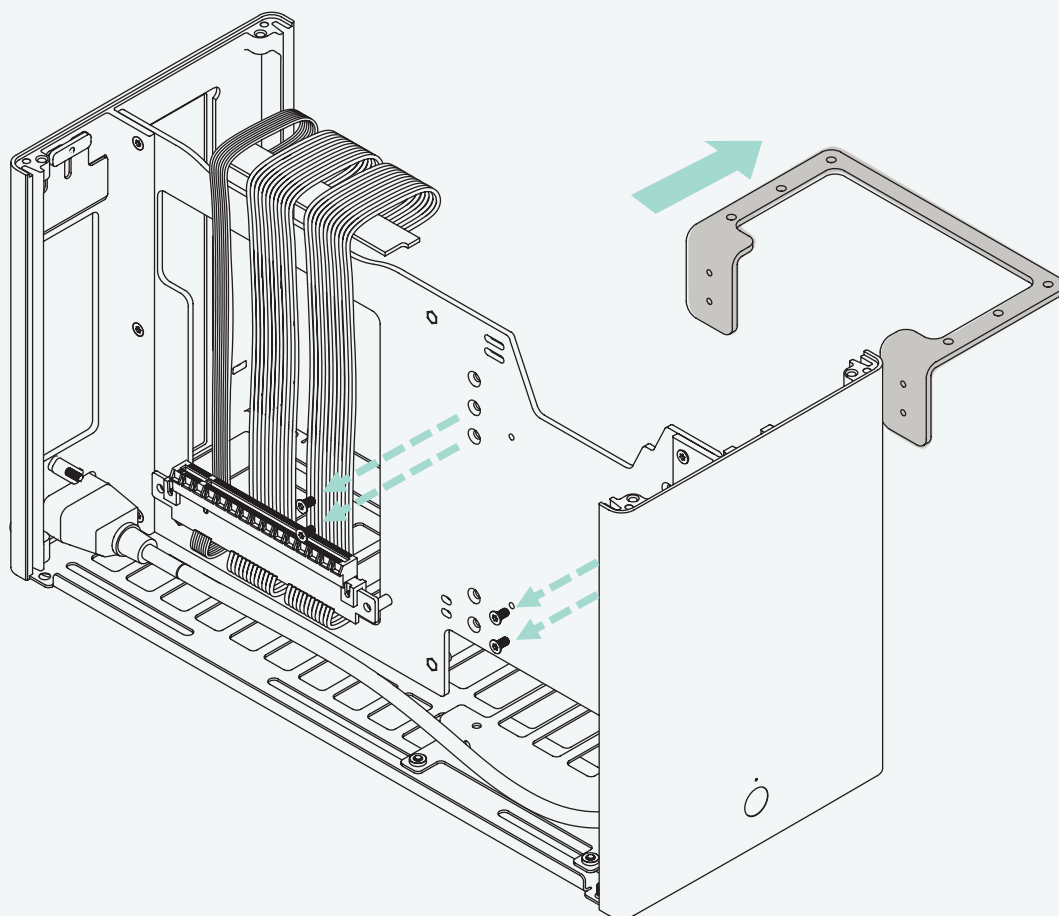
- Pull the side panels straight up and put them aside

SCREWS



GHOST S1 Mk III USER MANUAL

ILLUSTRATION



ASSEMBLY STEPS

- Unscrew the PSU bracket

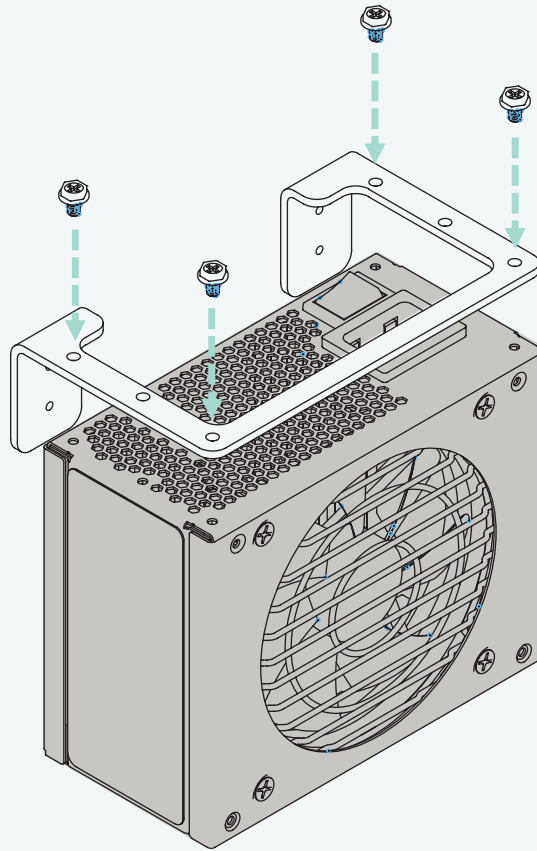
SCREWS



LOUQE AB
Designed in Sweden
hello@louqe.com www.louqe.com

GHOST S1 Mk III USER MANUAL

ILLUSTRATION



ASSEMBLY STEPS

- Screw the PSU bracket onto the PSU using 4 #6-32 UNC screws
- Put the mounted PSU and bracket aside

SCREWS

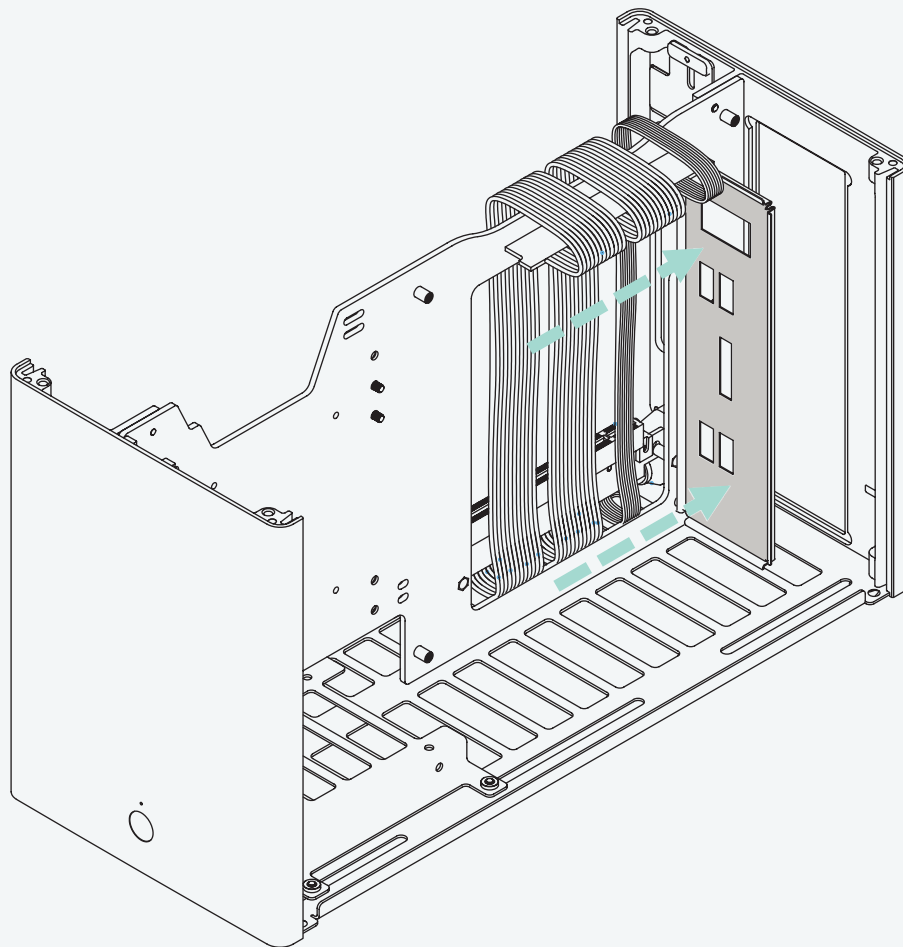


x4



GHOST S1 Mk III USER MANUAL

ILLUSTRATION



ASSEMBLY STEPS

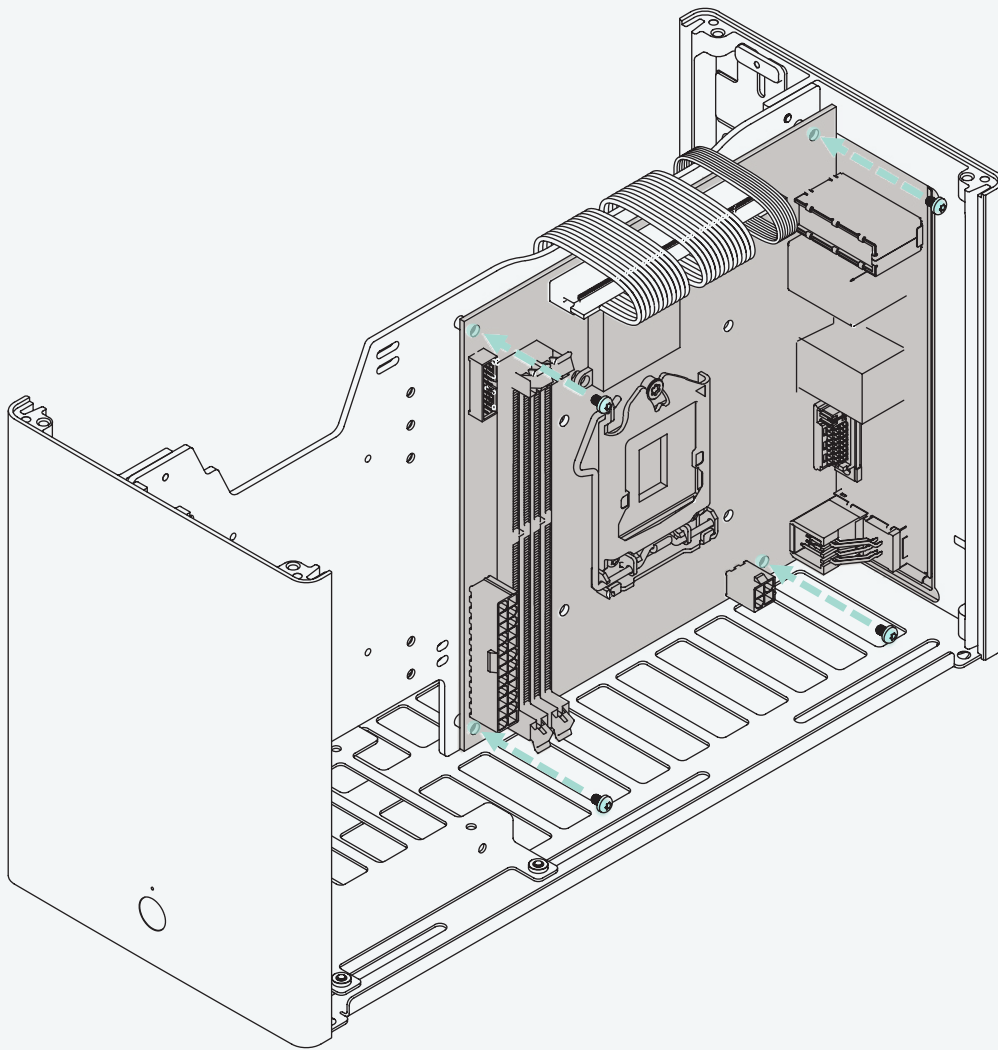
- Install the motherboard I/O shield (optional)

SCREWS



GHOST S1 Mk III USER MANUAL

ILLUSTRATION



ASSEMBLY STEPS

- Install the motherboard and screw it in place
- Push the Riser cable connector into the PCI-e port on the motherboard

SCREWS



x4



LOUQE AB
Designed in Sweden
hello@louqe.com www.louqe.com

GHOST S1 Mk III USER MANUAL

ILLUSTRATION



ASSEMBLY STEPS

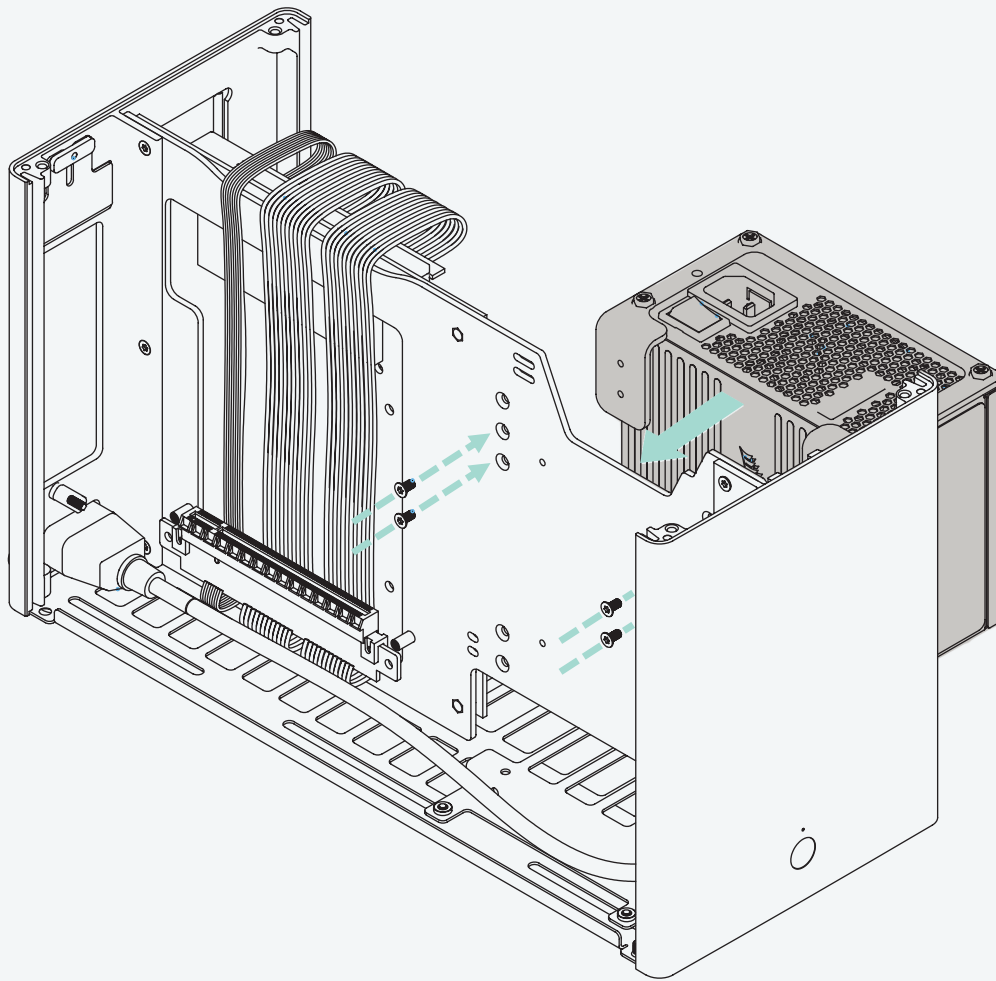
- Connect the LED and power switch cables

SCREWS



GHOST S1 Mk III USER MANUAL

ILLUSTRATION



ASSEMBLY STEPS

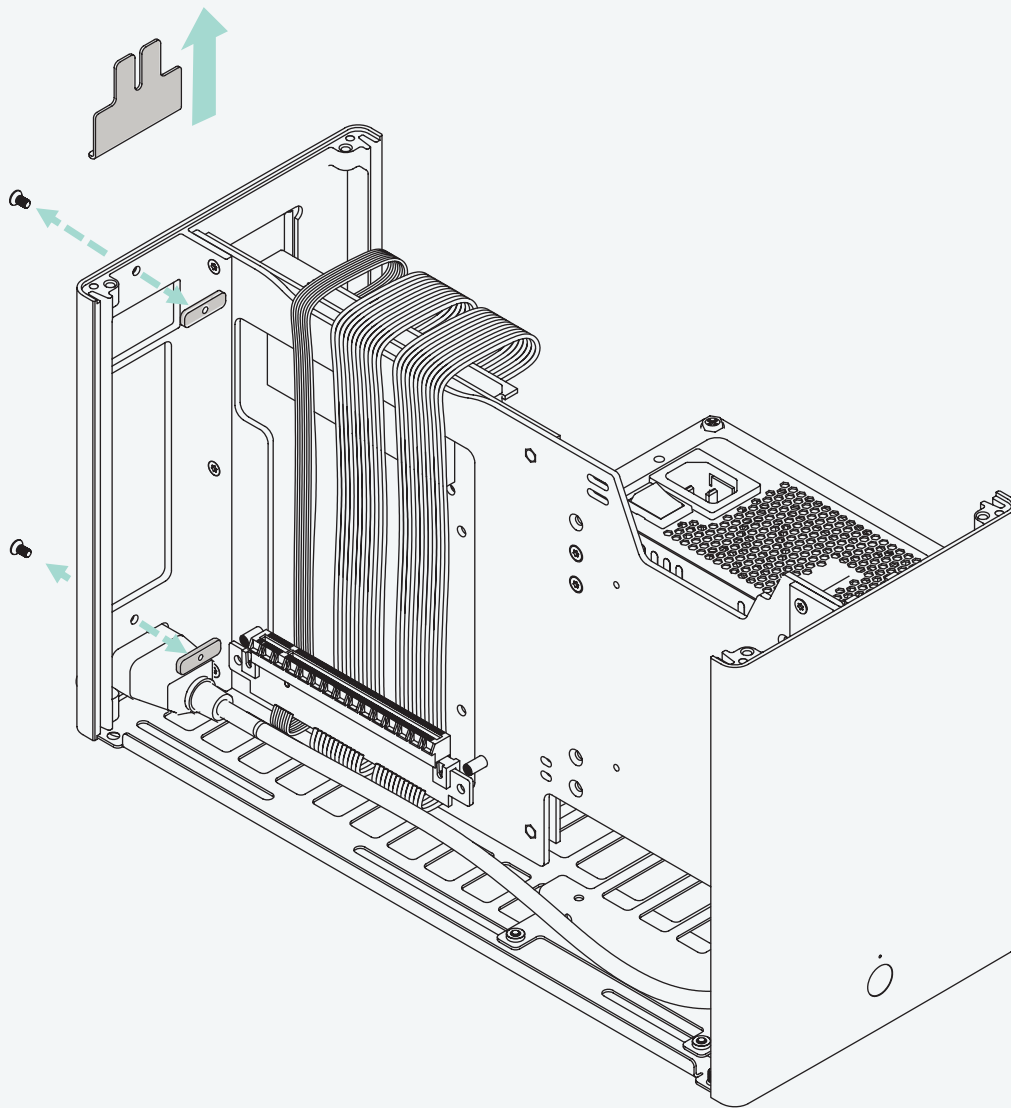
- Connect the power cables needed to the PSU and feed them to the approximate position
- Screw the PSU bracket back in place
- Connect the 24-pin power cable to the motherboard and the CPU power (if needed)

SCREWS



GHOST S1 Mk III USER MANUAL

ILLUSTRATION



ASSEMBLY STEPS

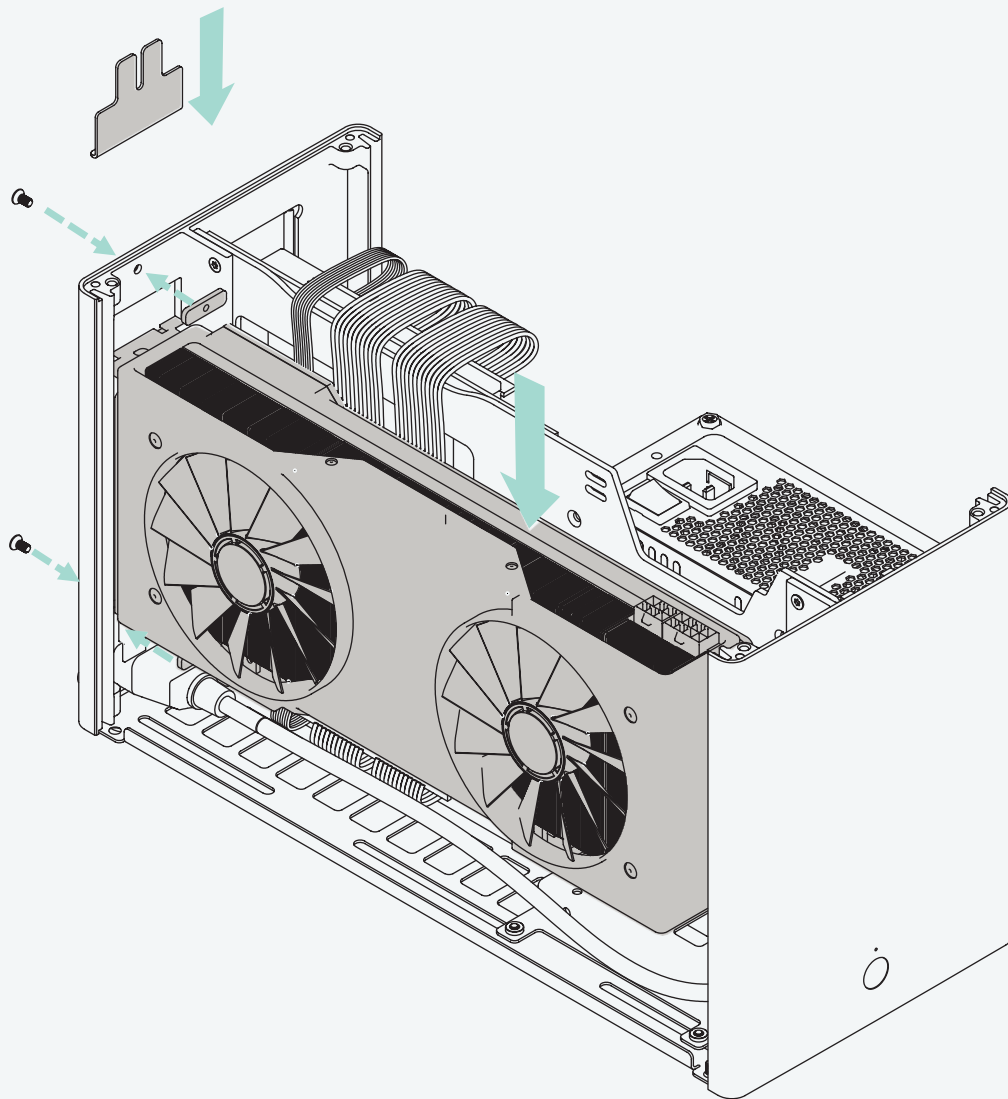
- Unscrew the GPU cover plate
- Remove the bottom flat nut

SCREWS



GHOST S1 Mk III USER MANUAL

ILLUSTRATION



ASSEMBLY STEPS

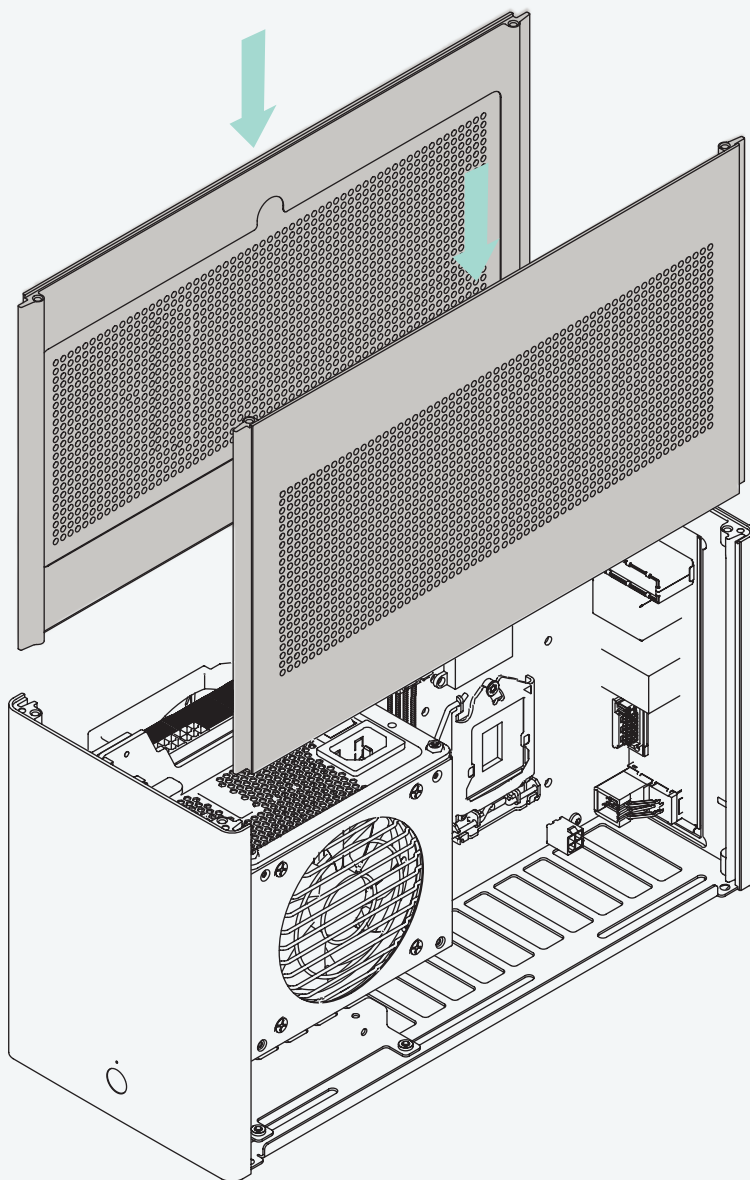
- Mount the GPU and fixate it by screwing the bottom flat nut in place
- Slide in the GPU cover plate in place and screw it tight with the top flat nut
- Connect PCI-e power cables if needed

SCREWS



GHOST S1 Mk III USER MANUAL

ILLUSTRATION



ASSEMBLY STEPS

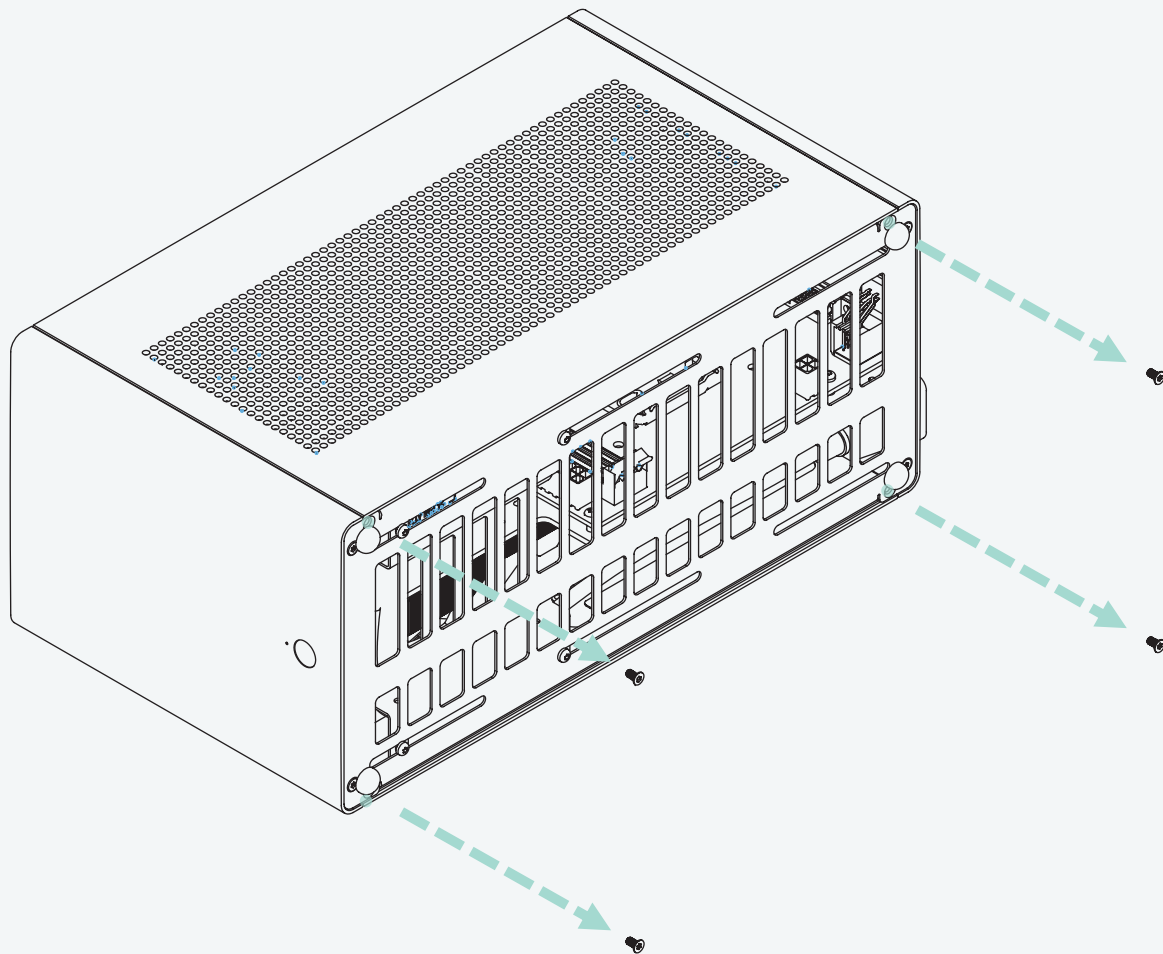
- Slide down the side panels

SCREWS



GHOST S1 Mk III USER MANUAL

ILLUSTRATION



ASSEMBLY STEPS

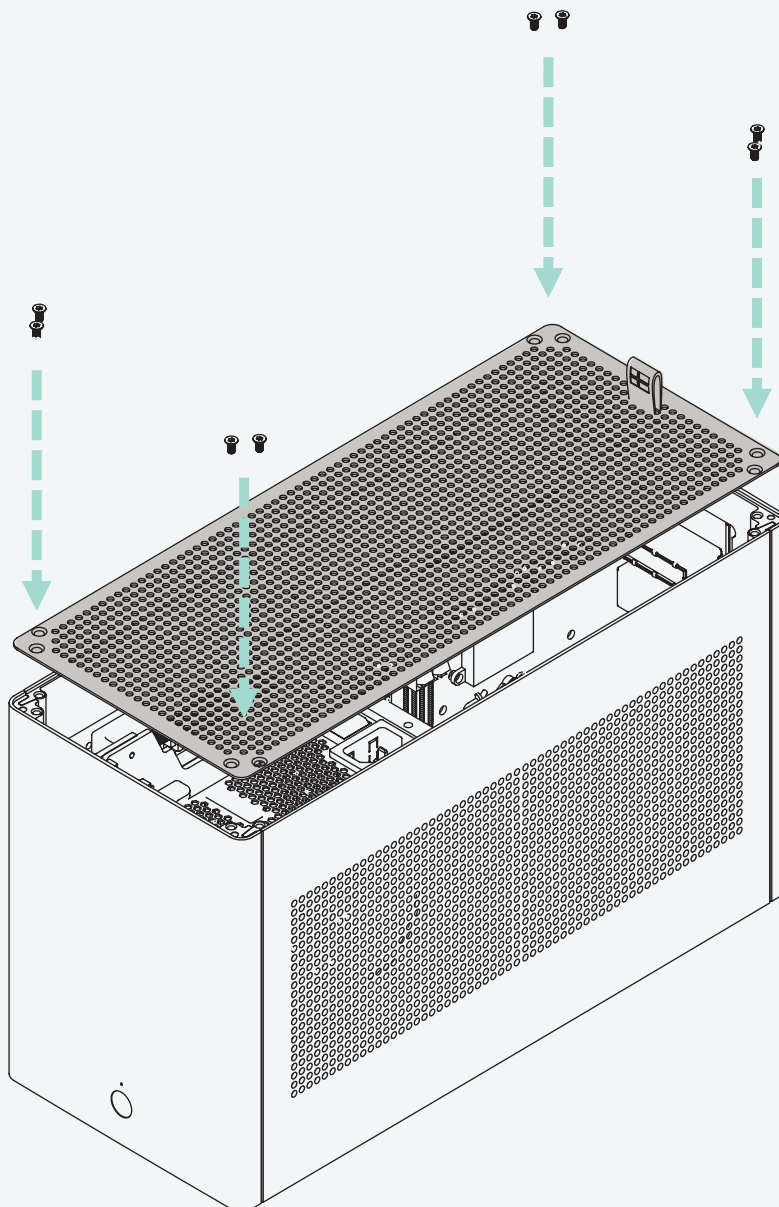
- Fix the side panels to the case with countersunk screws from the bottom

SCREWS



GHOST S1 Mk III USER MANUAL

ILLUSTRATION



ASSEMBLY STEPS

- Screw the grill onto the case using 8 countersunk screws

SCREWS



x8



LOUQE AB
Designed in Sweden
hello@louqe.com www.louqe.com



LOUQE AB
Designed in Sweden
hello@louqe.com www.louqe.com