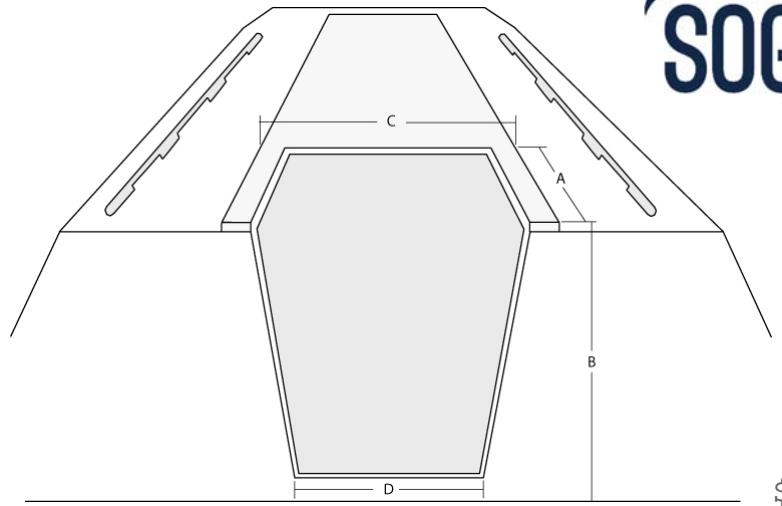


# COMPANIONWAY MEASUREMENT GUIDE

Take time to measure before ordering!



1. First measure Top opening "A" distance
2. Measure Vertical Height "B" from top to bottom, where the screen lead weight will stand
3. Add "A" to "B" plus approximately 3 inches to get a total length of the screen
4. Measure "C" distance, outside handrails, and add height of handrails over the roof, on each side, to get width of the screen.
5. On some boats, it is best to use a tapered screen, so measure "D" and add 1-2 inches on each side.

NOTES: Don't worry, companionway screens can be up to 20% longer and 10-15% larger than measured ideal.

You can install a taller screen in positioning it a little forward, if possible, and remaining will lie on the bottom, outside of the companionway entrance. Lead beads will also hold a wider than ideal screen.

We now have convenient optional snap kits for easy installation inside dodger or if you do not have side rails.

Example: For a 2008 Beneteau Oceanis 37 we took the following measurements:

1. Measure "A": 38"
2. Measure "B": 36"
3. Add "A" to "B":  $74" + 3" = 77"$ .
4. Measure "C":  $32" + 3" + 3" = 38"$
5. Measure "D": 21"

We then choose a 40" x 77" companionway for a perfect fit (a little bit wider but OK).