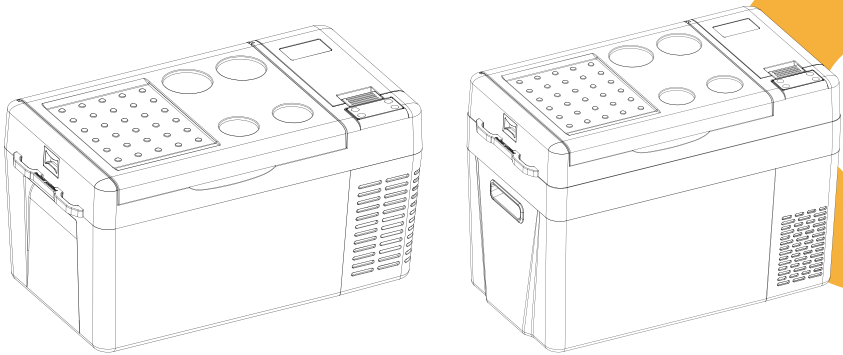


**BougeRV**

# USER MANUAL

For Portable Car Refrigerator



**Model: CR PRO 20 / CR PRO 23 / CR PRO 25 / CR PRO 30**

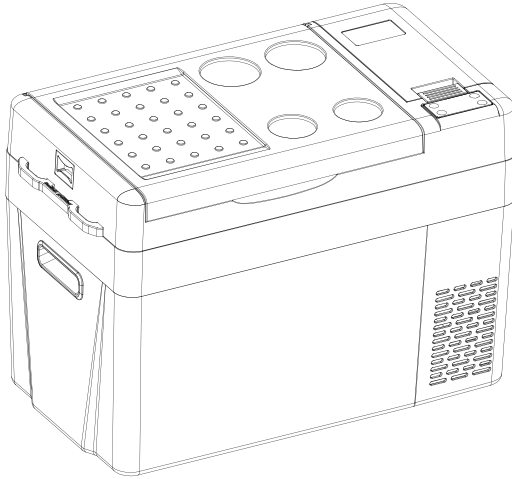
**Please read this operating manual carefully before using the device.**

**Keep it for future reference.**

# Contents

1. Package Contents	1
2. Safety Instructions	2
3. Preparing Before Use	3
4. Product Introduction	3
4.1 Product Features	3
4.2 Product Size	4
4.3 Product Structure	5
5. Operation Instruction	5
5.1 Power Supply	5
5.2 Display Screen Initialization	6
5.3 Turn On/Off	6
5.4 Temperature Setting	6
5.5 MAX/ECO Mode Switching	6
5.6 Temperature Unit Switch	6
5.7 Car Battery Protection Setting H/M/L	6
6. Car Battery Protection(H/M/L) Voltage Reference	7
7. Error Code Problems and Troubleshooting	7
8. Cleaning and Maintenance	10
9. FAQ	11
10. Warranty and Maintenance	13
11. Specification	14

# 1. Package Contents

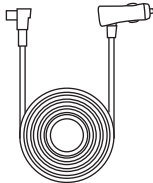


CRPRO REFRIGERATOR

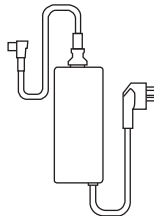
- 1- Instruction Manual \*1
- 2- AC Power Cord \*1
- 3- DC Power Cord \*1
- 4- 50cm DC Power Cord for Using Fridge Battery \*1
- 5- Spare Bottom Pads \*2



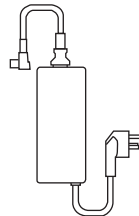
①



②



③



④



⑤

## 2. Safety Instructions



**WARNING!** Failure to obey these warnings could result in a malfunction of your device and possible injury for yourself and other users.

- Do not operate the refrigerator if it is visibly damaged.
- Do not block the gaps of the device with things like pins, wire, etc.
- Do not expose the refrigerator to rain or soak it in water.
- Do not place the refrigerator near naked flames or other heat sources (heaters, direct sunlight, gas ovens, etc.)
- Do not store explosive substances like spray cans with flammable propellants in the refrigerator.
- Before starting the refrigerator, ensure that the power supply line and the plug are dry.
- Check if the voltage specification on the type plate matches that of the energy supply.
- Once unpacked and before turning on, the device must be placed on a level surface for more than 6 hours.
- Make sure that the refrigerator stays horizontally when it is running. The tilt angle must be less than 5° for a long time running and be less than 45° for short time running.
- The refrigerator must be well ventilated for heat dissipation and make sure to keep some space around it. (Back Space>200mm, Side Space>100mm)
- The refrigerator may only be repaired by qualified personnel. Improper repairs can lead to safety hazards. If the power cable is damaged, it must be replaced by the manufacturer, customer service, or a similarly qualified person in order to prevent safety hazards.



### **NOTICE!**

- The refrigerator can be used by children aged 8 or over, as well as by persons with reduced physical, sensory or mental capabilities or a lack of experience and/or knowledge, providing they are supervised or have been taught how to use the refrigerator safely and are aware of the resulting risks.

Children must be supervised to ensure that they do not play with the refrigerator.

- The installation of DC power in the boat must be handled by qualified electricians.
- Never pull the plug out of the socket by the cable.
- Disconnect the refrigerator or switch it off when you turn off the engine. Otherwise, you may discharge the battery.



### **CAUTION!**

Food is suggested to be stored in its original packaging or in suitable containers. Set the suitable temperature for food or beverages stored in the refrigerator.

## 3. Preparing Before Use

1. Unpackage and take out the accessories and lay the refrigerator flat for 24 hours.
2. Before using it for the first time, clean the inside and outside of the refrigerator with a damp cloth and wait until it gets dry.
3. Place your refrigerator in a proper position which depends on your use scenario (car, truck, RV, camper, Van, Jeep, SUV, boat, home, etc.)
4. According to your use scenario, please choose the corresponding power cord (AC cord or DC cord) for the power supply. Please read the next part carefully for the details.

## 4. Product Introduction

### 4.1 Product Features

**Multiple Application Scenarios:** you can use the refrigerator on various vehicles such as SUV, Truck, RV, Camper, Jeep, Van, Boat, etc. You can take it with you, during camping, tailgating, road trips, outdoor travels, off-road, even at home.

**Freezer or Refrigerator:** with a temp range -8°F~50°F(-22°C~10°C), you can use it as a freezer or refrigerator.

**Energy Efficiency:** with ECO energy-saving mode, the operating mode is less than 45W. It consumes far less than 1kwh/day for its intelligent cycle work.

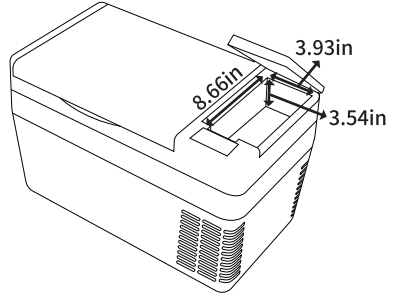
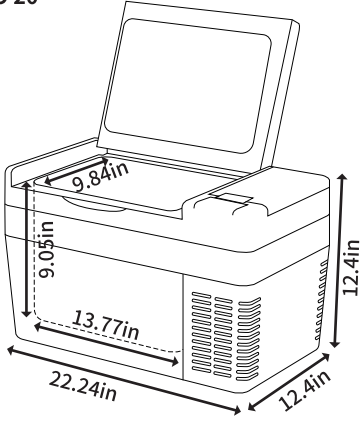
**Fast Cooling with Compressor Refrigeration:** running on Max mode in empty condition, the freezer could achieve 15 min fast cooling from 77°F to 32°F and 50 min from 77°F to -4°F.

**3-Level Battery Protection Mode:** the battery monitor will shut off the refrigerator as soon as the supply voltage falls below the set level.

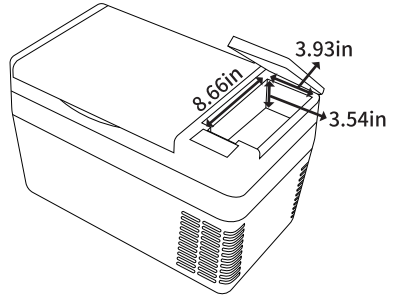
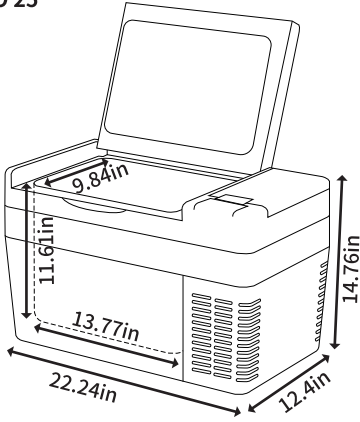
**45dB Low Noise:** the refrigerator is designed with low noise to make sure you have a good sleep after long driving.

## 4.2 Product Size

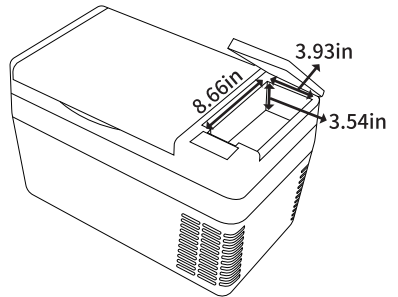
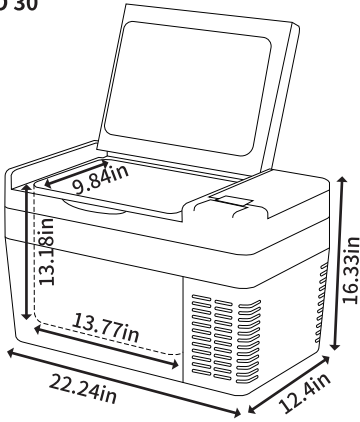
### CRPRO 20



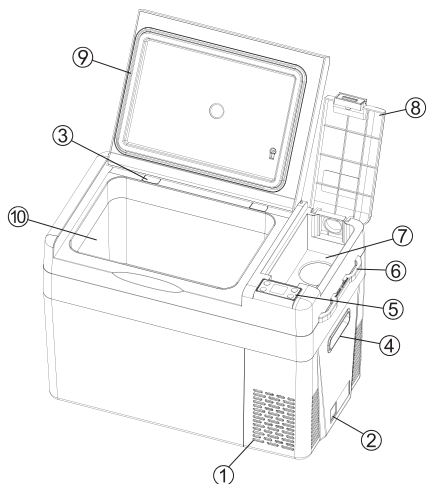
### CRPRO 25



### CRPRO 30

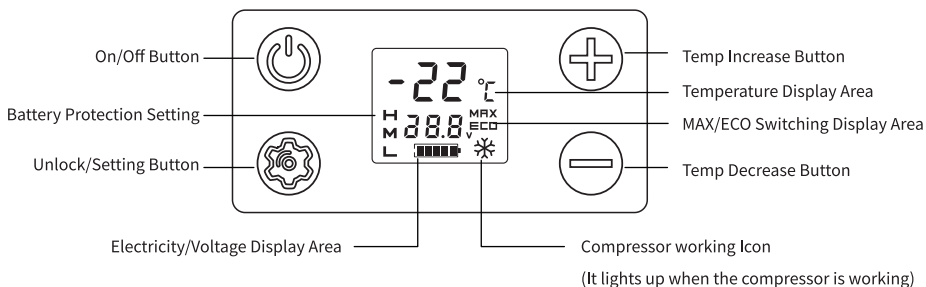


### 4.3 Procut Structure













- 1. Ventilation Port
- 2. 12/24V Power Outlet
- 3. Damping Door
- 4. Interior Handle
- 5. Control Panel
- 6. Safety Tie-down Point
- 7. Storage Compartment
- 8. Lid
- 9. Sealed Rubber Ring
- 10. Refrigerator Compartment

## 5. Operation Instruction



#### 5.1 Power Supply

Connect to 12/24 DC power (use in car, truck, or power station)  
 Connect to 110~240V AC power (use a home outlet or ac outlet of power station)

<b>5.2</b> <b>Display Screen</b> <b>Initialization</b>	When the refrigerator is powered on, you will hear a "BEEP" sound, and the display will flash once, and then nothing will be displayed. This means that the refrigerator is at the standby status. (Note: When the refrigerator is at the standby status, you can't operate it until the refrigerator is turned on)
<b>5.3</b> <b>Turn On/Off</b>	Press  for one time to turn on the refrigerator when it is at the standby status. Press and hold  for 3 seconds to turn off the refrigerator.
<b>5.4</b> <b>Temperature</b> <b>Setting</b>	In working status, press  or  for temperature setting. The setting will be saved automatically after stopping operating for 4 seconds. If you keep holding the button, the temperature will be adjusted fastly. (Note: the temperature displayed is the current temperature of the compartment. The refrigerator will take a while to reach the set temperature.) Temperature setting range: -22~+10°C (-8~50°F)
<b>5.5</b> <b>MAX/ECO Mode</b> <b>Switching</b>	In working status, press  one time, and the "MAX/ECO" will flash. Then press  again, and you can switch to MAX or ECO working mode. If you stop the operation for 3 seconds, it will automatically confirm the mode you are going to switch to. ECO: Energy Saving Mode, 36 watts. MAX: Fasting Cooling Mode, 45 watts.
<b>5.6</b> <b>Temperature</b> <b>Unit Switch</b>	In working status, press  and  at the same time for 3~5 seconds to switch Celsius(°C)/Fahrenheit(°F). (Factory setting is °F).
<b>5.7</b> <b>Car Battery</b> <b>Protection</b> <b>Setting</b> <b>H→M→L</b>	Battery Protection Setting In working status, long press  until the "H" flashes, and then press  to switch the HIGH, MEDIUM, or LOW levels. It is suggested to set a HIGH level of the fridge when connecting with a car battery. To set MEDIUM and LOW levels when with a power station or other batteries. (Factory setting is H)

This car refrigerator has a power-off memory function, and the working state (power on/off state and working mode) before the power off is automatically restored after the next power on, and there is no need to set it again.



## 6. Car Battery Protection(H/M/L) Voltage Reference

The BougeRV refrigerator is equipped with a battery preservation monitor. It has three settings to monitor your battery to prevent a full discharge. The higher level you set, the higher the cut-off voltage will be.

- When you set it to HIGH, the battery monitor will provide maximum protection for the battery running the refrigerator against excessive/full discharge.
- When you set it to LOW, the battery monitor will allow the refrigerator to continually consume the car battery energy, even if the battery voltage is low and the car cannot be turned on.

Voltage		Factory default voltage protection level sets to H Mode		
		High mode	Medium Mode	Low mode
12V DC	Cut out	11.3V	10.1V	9.6V
	Cut in	12.5V	11.4V	10.9V
24V DC	Cut out	24.6V	22.3V	21.3V
	Cut in	26.0V	23.7V	22.7V

**NOTE:** Cut-out is the input voltage in which the refrigerator will turn off.  
Cut-in is the input voltage in which the refrigerator will turn on.

- The battery monitor will shut off the refrigerator as soon as the supply voltage falls below the set level. The refrigerator will restart after 2 minutes once the cut-in voltage is reached.

## 7. Error Code Problems and Troubleshooting

If an abnormal situation cannot be resolved through simple troubleshooting, please contact professional customer service for assistance:

If you bought it from Amazon, please contact [service@bougeerv.com](mailto:service@bougeerv.com).

If you bought it from BougeRV Website, please contact [support@bougeerv.com](mailto:support@bougeerv.com).

Note: In order to resolve the issue, you are expected to attach more details as follows in your email.

1. The **order number**.
2. If possible, send us **pictures or videos** to show the problem.
3. What do you connect with the fridge and what is the **power source**?
4. Do you notice any **error code** on the display panel?
5. Your **shipping address and phone number** for the potential replacement.

Troubles	Causes and solutions
The car refrigerator does not work	<ul style="list-style-type: none"> <li>• Check whether the power is connected correctly or not. (If the plug is loose, positive and negative poles are reversed).</li> <li>• Check whether the power switch on the operation panel is turned on.</li> <li>• Check the cooling ventilation is normal.</li> <li>• Check whether the fuse is blown or not.</li> </ul>
Not cooling Sufficiently	<ul style="list-style-type: none"> <li>• Check whether the door is closed.</li> <li>• The door cover seal is damaged or deformed and the seal is not strict.</li> <li>• Poor ventilation in the car refrigerator cooling.</li> <li>• Improper temperature settings.</li> </ul>
Abnormal noise	<ul style="list-style-type: none"> <li>• Some noises are normal.</li> <li>• The place of the refrigerator is not stable.</li> <li>• Internal parts are loose or fall off.</li> </ul>
The refrigerator surface condensation	<ul style="list-style-type: none"> <li>• When the ambient air humidity is &gt; 75%, the surface of the box will normally have slight condensation.</li> </ul>
Temperature fluctuation/ problems	<ul style="list-style-type: none"> <li>• It is normal for the temperature to float at a certain range, and it is normal in the range of <math>\pm 5</math> °C.</li> <li>• It is normal that the temperature measured by yourself is 3 °C higher than that of the display screen.</li> <li>• If the temperature does not drop for a long time, please empty the refrigerator, adjust it to the lowest temperature and let it stay for a longer time.</li> <li>• Please touch the inner wall of the refrigerator with your hand. If you can feel the cold obviously, there is no problem with the refrigeration of the refrigerator.</li> </ul>

## The definition of the error code on the display

Error Code	Error Type	Solutions
E1	Input voltage too low	<p>①Scenario one: the input voltage of the adapter is too low. Solution: Adjust the battery protection level to "Medium" or "Low" level. Wait for 3-5 mins to let the refrigerator reset itself. If the fridge still does not start properly, Please use the AC power cord to run the refrigerator.</p> <p>②Scenario two: Insert the refrigerator power cord into the car cigar lighter when the car doesn't start. Solution: Connect the refrigerator later after the car starts.</p>
E2	Fan Problem	Please replace a new fan when you confirm the fan malfunction. Contact us and we will send you a new fan for replacement.
E3	Compressor Start up frequently Input voltage fault	<p>①Scenario one: E3 appears when using the fridge in the car. Solution: Shut down the fridge for 5 minutes. If it still does not work after you restart it, then it is an E1 fault, please refer to the E1 troubleshooting and solution.</p> <p>②Scenario two: E3 appears when using the fridge at home. Solution: Adjust battery protection level to Medium or Low level. If the fridge still does not start properly, Please use the AC power cord to run the refrigerator. If the solution is not helpful, please contact us.</p>
E4	Compressor turbine speed too low	The input voltage needs to be adjusted and reconnect the refrigerator to power. If the solution is not helpful, please contact us.
E5	Controller chip overheating	You need to shut down the fridge for 5 minutes. After that, check whether it is an overheating caused by the blockage around the vent of the compressor.
E6	NTC cable disconnecting or in a short circuit	Pry out the display panel and check whether the NTC cable is disconnecting. If the solution is not helpful, please contact us.

## 8. Cleaning and Maintenance

### ■ Cleaning

- Unplug the device first to avoid electric shock.
- Use a wet cloth to clean the device and dry it.
- Do not soak the device in water and do not wash it directly.
- Never use abrasive products, detergents, or soaps to clean the refrigerator as these can damage the device.

### ■ Storage

If the device will not be in use for a long time, please store it properly.

- Turn off the power and remove the plug.
- Remove all the items stored in the device.
- Wipe off excess water from the fridge with a soft rag. Always make sure the inside of the refrigerator is dry before you store it.
- Place the device in a cool and dry place.
- Leave the lid slightly open to prevent odors from forming.

### ■ Defrosting

Frost may form inside the cooling device or on the evaporator, and this can reduce the cooling capacity. Defrost the device promptly to avoid this.

- Disconnect the power supply of the device.
- Take out all the items.
- Keep the lid open.
- Wipe off the defrosted water.



**DO NOT use hard, sharp, or pointed objects to remove the frost or use them to help you remove the frozen items. This may cause irreparable damage to the cooling system.**

## 9. FAQ

### **Q1: Is there a cover for this refrigerator?**

A1: Yes, there is. You could search for bougerv CRPRO 21/26/30 quart fridge cover on Amazon.

### **Q2: Does it come with a battery installed?**

A2: No, this refrigerator does not come with a battery. If needed, you could search BougeRV 220Wh Portable Power Station on Amazon.

### **Q3: Will it work standing on end?**

A3: No, please do not run it on its side. This refrigerator contains refrigerant. If it runs on the side, the cooling efficiency will be affected and may cause malfunctions.

### **Q4: Can the fridge be used to sit on for extra seating?**

A4: We do not recommend doing this. Because the perimeter of the refrigerator is filled with foam(for heat retention) rather than solid plastic, prolonged exposure to weight may deform it.

### **Q5: What's the outside temperature range this can be safely used?**

A5: Temperature range: 50°F~122 °F.

### **Q6: Does the fridge have to be plugged in for use?**

A6: Yes, it has to be plugged.

### **Q7: If the power is temporarily interrupted, will the unit automatically resume working when the power is restored(if nobody is there to turn it back on)?**

A7: Yes, it will. This refrigerator has a power-off memory function, which means when the power is restored, the freezer will return to its previous working state and you do not have to re-set the temp.

**Q8: Does the temperature fluctuate a lot?**

A8: Not much, within the range of industry standards. The working mode of the refrigerator is cyclic work, that is, after the compressor reaches the set temperature, it stops working for about 10 minutes, and the temperature rises by about 3~5°C. Then, the refrigerator will work again for about 15 minutes and the temperature will drop to the set temperature again.

**Q9: How long can you continuously run the unit without shutting it off? Will long-term use degrade the performance?**

A9: The refrigerator is able to run uninterruptedly because of the refrigeration mode in which the refrigerator will stop cooling after reaching the specified temperature, resting intermittently for a period of time, and when the temperature rises, it will continue to cool.

**Q10: Is it normal for the refrigerator to have condensation water? Why?**

A10: Yes, it is normal. Because when the air humidity is greater than 75%, there may be slight condensation on the surface of the refrigerator; the higher the humidity, the higher the probability of occurrence, which is a normal phenomenon.

**Q11: Will it keep ice cream frozen?**

A11: Yes. By setting the temperature below 0°F, you can keep the ice cream frozen.

**Q12: Can I make ice with ice cube trays?**

A12: Yes. The internal temperature of this portable refrigerator is adjustable from -8°F to 50°F. You can get ice cubes by setting the temperature below 32°F.

**Q13: Can I get a replacement if some part of my refrigerator is broken?**

A13: Sure, we provide a 2-year warranty.

# 10. Warranty and Maintenance

## Warranty

BougeRV PORTABLE CAR REFRIGERATOR comes with a 2-year warranty that commences from the date of purchase on BougeRV Amazon Store or BougeRV Official Website, except following situations:

1. Used products from Amazon or other distributors.
2. Contrived damage.
3. Damage caused by force majeure such as earthquake, conflagration, etc.
4. Damage from inappropriate use or violating this instruction.
5. Damage or malfunction caused by disassembling.

## Customer Service

If there is any problem with the operation or use of the product, please feel free to contact us via:

### ■ Amazon:

✉ [service@bougeRV.com](mailto:service@bougeRV.com)

☎ +1 408 656 8402

9AM-6PM(PST) Mon-Fri

+1 699 232 7427

6PM-3AM(PST) Sun-Thur

### ■ BougeRV Website:

✉ [support@bougeRV.com](mailto:support@bougeRV.com)

☎ +1 408 656 8402

9AM-6PM(PST) Mon-Fri

+1 408 429 4149

6PM-3AM(PST) Sun-Thur

## VIP Service & Extra 1-year Warranty

1. Search "QR Code" on your FB
2. Scan the QR Code beside
3. Join "BougeRV Car Refrigerator Club"
4. You become a VIP and get a 3-year warranty



# 11. Specification

Model	CR PRO 20	CR PRO 25	CR PRO 30
Rated Voltage	DC: 12V/24V		
	AC: 110~240V		
Rated Power Input	ECO: Energy Saving Mode, <b>36 watts.</b>		
	MAX: Fasting Cooling Mode, <b>45 watts.</b>		
Capacity	21QT/0.70 cu.ft	26QT/0.88 cu.ft	31QT/1.02 cu.ft
Sound Noise Level	≤45dB		
Climate Class	T/ST/N/SN		
Temperature Range	-22 ~ 10°C ( -8 ~ 50°F)		
Refrigerant	R-134a		

Due to possible product upgrades, the specification here might be slightly different from the actual specification. Please refer to the nameplate on the product.



## ■ Disposal

Place the packaging into the appropriate recycling waste bins whenever possible. If you wish to dispose of the product, ask your local recycling center or specialist dealer for details about how to do this in accordance with the applicable disposal regulations.





