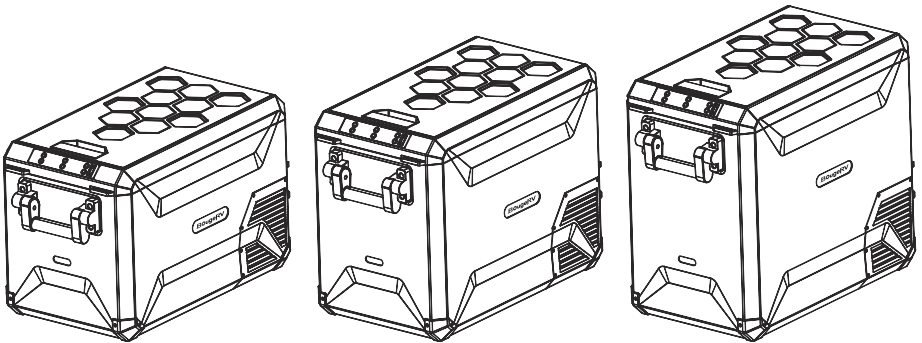


# USER MANUAL

For Portable Outdoor Refrigerator Aspen



**Model: ASPEN30/ASPEN40/ASPEN50**

**Capacity: 32L(34QT) 41L(43QT) 50L(53QT)**

Please read this manual carefully before use and keep it properly for further reference.

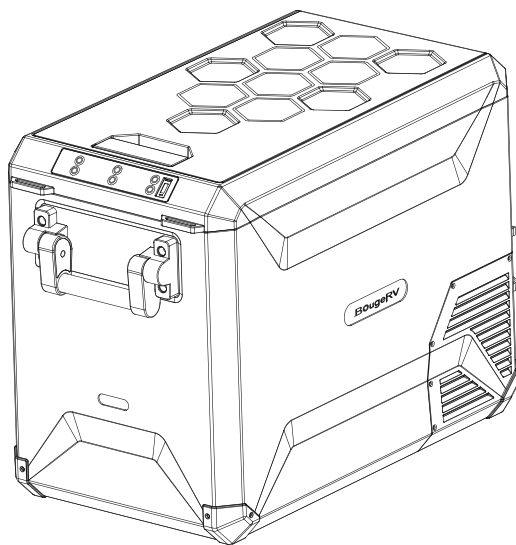


# Contents

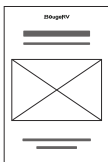
1 Package Contents	Page1
2 Safety Instructions	Page2
3 Preparing Before Use	Page3
4 Product Introduction	Page3
4.1 Product Features	Page3
4.2 Product Size	Page4
4.3 Product Structure	Page5
4.4 Battery Base Installation Steps	Page5
5 Operation Instruction	Page6
5.1 IceDrive mode	Page6
5.2 Power Supply	Page6
5.3 Display Screen Initialization	Page7
5.4 Turn On /Off	Page7
5.5 Temperature Setting	Page7
5.6 Temperature Unit Switch	Page7
5.7 MAX/ECO Mode Switching	Page7
5.8 Memory Function	Page8
6. Car Battery Protection(H/N/L) Voltage Reference	Page9
7 Error Code Problems and Troubleshooting	Page10
8 Cleaning and Storage	Page12
9 FAQ	Page13
10 Warranty and Maintenance	Page15
11 Specification	Page16



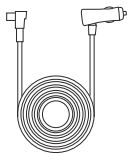
# 1 Package Contents



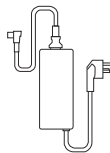
Dual-system Outdoor Fridge



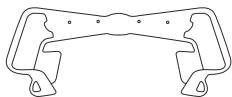
User  
Manual



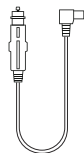
3.5m 12/24V  
DC Power Cord



110/220V AC  
Power Adapter



Battery Base



0.5m 12/24V  
DC Power Cord

## 2 Safety Instructions



**WARNING! Failure to obey these warnings could result in the malfunction of your device and possible injury to yourself and other users.**

- Do not operate the device if it is visibly damaged.
- Do not block the gaps of the device with small items like pins, wires, etc.
- Do not expose the device to rain or soak it in water.
- Do not place the device near naked flames or other heat sources (heaters, direct sunlight, gas ovens etc.)
- Do not store explosive substances like spray cans with flammable propellants in the device.
- Before starting the device, ensure that the power supply line and the plug are dry.
- Check if the voltage specification on the nameplate matches the power supply voltage specification.
- Before starting the device, it must be left horizontal for more than 12 hours.
- Make sure that the device stays horizontal when it is running. The tilt angle must be less than 5° for a long time running and less than 45° for short time running.
- The refrigerator must be well-ventilated for heat dissipation and make sure to keep some space around it (Back Space 200mm, Side Space 100mm).
- The device may only be repaired by Qualified personnel. Improper repairs can lead to safety hazards. If the power cable is damaged, it must be replaced by the manufacturer, customer service, or a similarly qualified person in order to prevent safety hazards.



**NOTICE!**

- The device can be used by children aged eight years and over, as well as by persons with reduced physical, sensory, or mental abilities or lack of experience and knowledge. However, they must be supervised during use or they must have been adequately taught how to use the fridge safely and have been made aware of the risks involved before using it.
- Children must be supervised to ensure that they do not play with the device.
- Disconnect the device or switch it off when you turn off the engine. Otherwise, you may discharge the battery.



**CAUTION!**

- Food is suggested to be stored in its original packaging or in suitable containers.
- Set a suitable temperature for food stored in the device. Refer to the recommended temperature for common food on Page 7.

## 3 Preparing Before Use

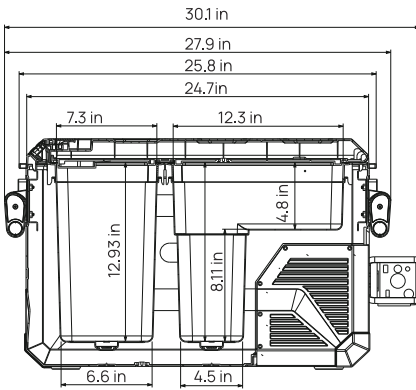
1. Unpackage and take out the accessories, and let the refrigerator stand for 12 hours.
2. Before using it for the first time, clean the inside and outside of the car refrigerator with a damp cloth and wait until it gets dry.
3. Place your refrigerator in a proper position which depends on your use scenario (car, truck, RV, camper, Van, Jeep, SUV, boat, home, etc.)
4. According to your use scenario, please choose the right power cord (AC cord or DC cord) for the right power supply. Please read the next part carefully for the details.

## 4 Product Introduction

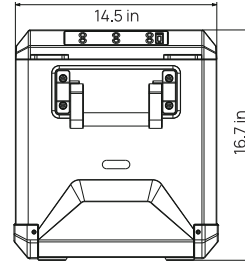
### 4.1 Product Features

1. Multiple Application Scenarios: You can use the refrigerator on various vehicles such as SUV, Truck, RV, Camper, Jeep, Van, Boat, etc. You can take it with you, during camping, tailgating, road trips, outdoor travels, offroad, and even at home.
2. Dual System temperature adjustment:
  - In normal mode: Freezer or Fridge with temp range:  $-4^{\circ}\text{F}\sim 68^{\circ}\text{F}$ , you can use it as freezer or Fridge.
  - In IceDrive™ mode: One button for rapid freezing, low to  $-10^{\circ}\text{F}\sim -0.4^{\circ}\text{F}$ , and Fridge with temp range of  $37^{\circ}\text{F}\sim 68^{\circ}\text{F}$ .
3. 3 Level battery protection mode: The battery monitor will turn off the refrigerator as soon as the supply voltage falls below the set level.
4. 45dB Low Noise: The refrigerator is designed to low noise to make sure you a good sleep after a long drive.

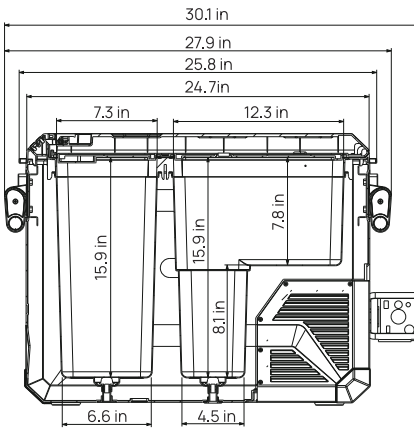
### 4.2 Product Size



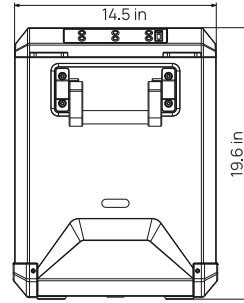
## ASPEN30



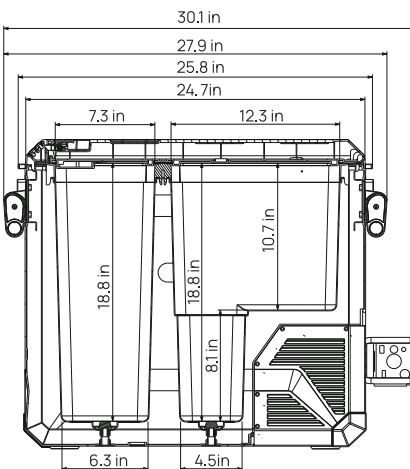
**S Zone: 16.5L/17.5QT L Zone: 15.5L/16.5QT**



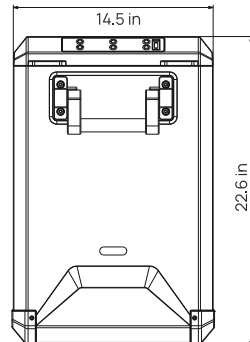
## ASPEN40



**S Zone: 22.3L/23.5QT L Zone: 18.7L/19.5QT**



## ASPEN50

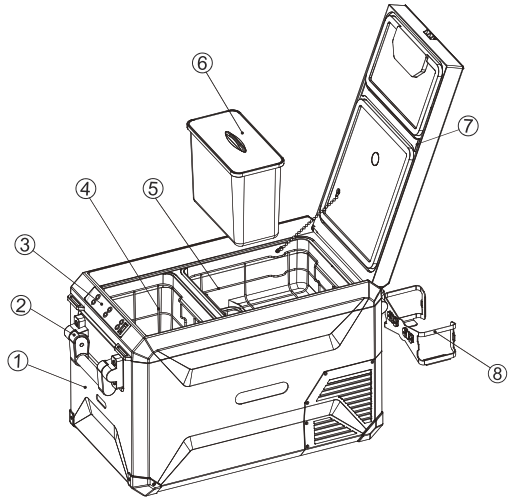


**S Zone: 28.2L/30QT / L Zone: 21.8L/23QT**

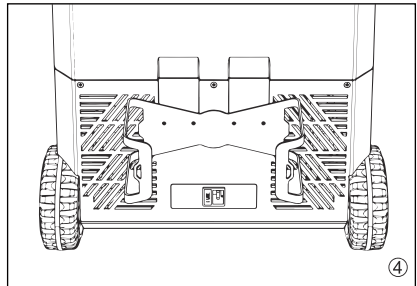
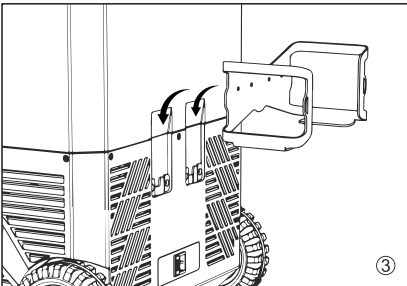
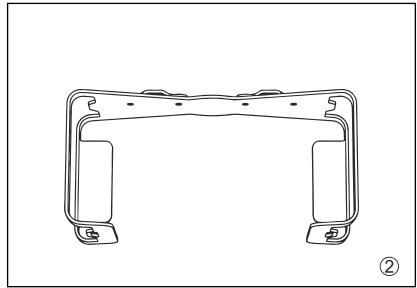
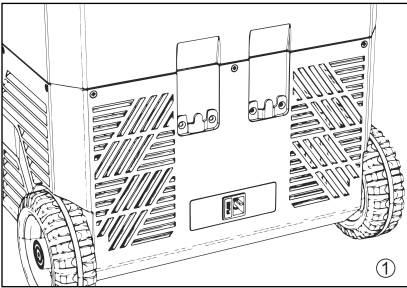


### 4.3 Product Structure

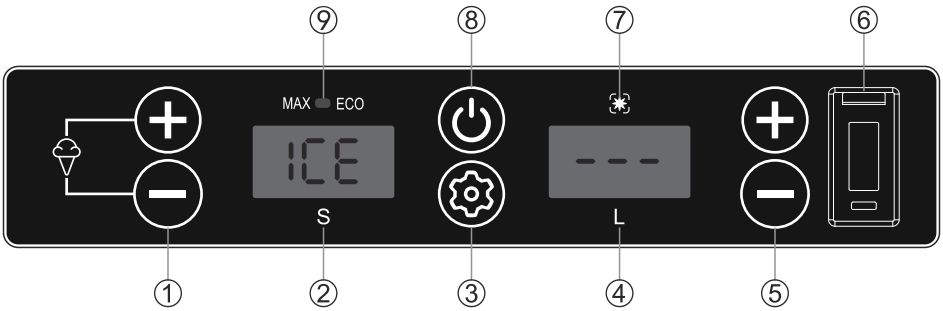
- ① Refrigerator Box
- ② Elastic Handle
- ③ Control Panel
- ④ Big Removable Basket (L Zone)
- ⑤ Small Removable Basket (S Zone)
- ⑥ Ice Cream Box
- ⑦ Cap
- ⑧ Battery Base



### 4.4 Battery Base Installation Steps



## 5 Operation Instruction



① Setting for S Zone

② S Zone

③ Setting button

④ L Zone

⑤ Setting for L Zone

⑥ USB socket

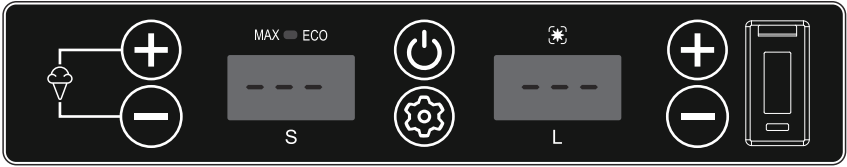
⑦ Cooling indicator

⑧ ON/OFF button

⑨ Max/Eco

### 5.1 IceDrive™ mode

Long press “+” and “-” of S zone together for 3 seconds to switch to IceDrive™ mode. Under this mode, the display of the S zone will show "ICE" and temp can not be adjustable (Always below  $-0.4^{\circ}\text{F}/-18^{\circ}\text{C}$ ). The temperature of the L zone can be selected from  $3^{\circ}\text{C}$  to  $20^{\circ}\text{C}$  ( $37^{\circ}\text{F}$  to  $68^{\circ}\text{F}$ ).



**5.2 Power Supply** Connect to 12/24V DC power (use in car, truck, or power station)  
 Connect to 110~240V AC power (use a home outlet or ac outlet of power station)

**5.3 Display Screen Initialization** Once powered on, all symbols in display will light up for 1 second and then be switched to show automatically"--"

**5.4 Turn On/Off** Short press "⏻" to turn on or turn off the fridge. Once the cooling compressor is running, the "❄️" symbol will be blue.

**5.5 Temperature Setting** After the fridge is turned on, press "⊕" or "⊖" to adjust temperature of related zone. The set temperature of two zones ranges from -20 °C to 20 °C (-4°F to 68°F). Press "⊕" and one of "⊕" together for 3 seconds to turn off the related zone.  
 Two zones shall not be turned off at same time otherwise the fridge is turned off wholly.











**5.6 Temperature Unit Switch** Change temperature unit between °C and °F by pressing "⊕" and "⊕" of the L zone for 3 seconds after switching on the fridge.

**5.7 MAX/ECO Mode Switching** Directly short press "⊕" key to switch to MAX mode or ECO mode.  
 MAX mode (White light) or ECO mode (green light)  
 ECO: Energy-saving cooling MAX: Powerful cooling

## 5.8 Memory Function

There is a power-off memory function for car refrigerators. When the power is lost, working state (On/Off status, working mode, etc.) before power-off can be automatically recovered at the next startup, no need to set it again.

### Recommended temperature for common food:

				
Meat	Frozen Food	Sea food	Vegetables	Cooked Food
-18°C/0°F	-18°C/0°F	-3°C/26°F	3~10°C /37~50°F	4°C/39°F
				
Water	Canned Drinks	Fruits	Soft Drinks	Alcoholic Drinks
5°C/41°F	5°C/41°F	5~8°C/41~46°F	8~10°C/46~50°F	13°C/55°F

## 6 Car Battery Protection(H/N/L) Voltage Reference

Built-in ECO electronic control module can automatically monitor car battery voltage. Refrigerator will be automatically cut off when the power is excessively consumed, So that protecting the battery consumption from too low to affect auto ignition.



When set to "High", the battery monitor will provide maximum protection for the battery running the refrigerator against excessive/full discharge.

When set to "Low", the battery monitor will allow the refrigerator to use more of the battery energy.

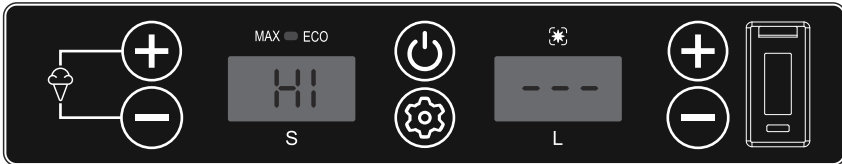
Voltage	High Level set to be factory default (Voltage Protection)		
	H1 (High) level	N2 (Medium) level	L3 (Low)level
12V	11.3V OFF, 12.5V ON	10.1V OFF, 11.4V ON	9.6V OFF, 10.9V ON
24V	24.6V OFF, 26V ON	22.3V OFF, 23.7V ON	21.3V OFF, 22.7V ON

**NOTE: When the refrigerator is on work, " OFF " or " ON " is the stop or start of the compressor.**

Battery Protection Levels: H1(High) → N2(Medium) → L3(Low)

Long press  key for 3s to enter the battery protection setting. Press  key again to switch H1→N2→ L3 levels in turns.

Displayed in the panel at that location:



If no operations were detected, the set level will flash for 3s, then exit and save the current setting.

## 7 Error Code Problems and Troubleshooting

If there is an unusual problem that cannot be resolved through simple fault analysis, please consult professional customer service with your order number for assistance:

If it was ordered from Amazon, please contact: **service@bougeriv.com**.

If it was ordered from BougeRV Website, please contact: **support@bougeriv.com**.

Note: In order to resolve the issue, you had better attach more details as follows in your email.

1. The order number.
2. If possible, pictures or videos to show the problem.
3. How do you connect with the fridge? And what is the power source?
4. Is there any error code show on the display?
5. Your shipping address and phone number, for shipping the part replacement.

Troubles	Causes and solutions
Car Refrigerator Does Not Work	<ul style="list-style-type: none"><li>• Check if the power is connected properly. (check If the plug is loosened or positive and negative poles are reversed).</li><li>• Check if the power switch on the operation panel is turned on.</li><li>• Check if the cooling ventilation is normal.</li><li>• Check if the fuse is blown.</li></ul>
Poor Cooling Performance	<ul style="list-style-type: none"><li>• Check if the lid is closed properly.</li><li>• Check if the door seal is damaged or deformed.</li><li>• Check if there is poor ventilation around the fridges.</li><li>• Check if the temperature is set properly.</li></ul>
Abnormal noise	<ul style="list-style-type: none"><li>• Refrigerator is not put on a flat level surface.</li><li>• Check for vibrations in surrounding objects.</li><li>• Parts in the refrigerator get loose or fall off.</li></ul>
Refrigerator Condensation	<ul style="list-style-type: none"><li>• It is normal that there slightly will be some condensation on the refrigerator surface when air humidity is more than 75%.</li></ul>

## Definition Of Error Codes On The Display

Error Code	Error Type	Solutions
E1	Low Input Voltage	<p>Failure 1: Insert refrigerator power cord into the cigarette lighter before the car starts.            Solution 1: Wait for a while to connect the car after it started.</p> <p>Failure 2: Input voltage of the adapter is too low.            Solution 2: Adjust the battery protection level to middle-voltage or low-voltage. If it doesn't work, please replace a new adapter.</p>
E2	Fan Fault	<p>Please replace a new fan when identify there is a fan malfunction.</p>
E3	Input Voltage Fault due to compressor frequently starting	<ul style="list-style-type: none"> <li>· When the refrigerator is used in car and E3 appears               <ol style="list-style-type: none"> <li>① Please shut down for 5 minutes and restart it.</li> <li>② If it doesn't work, that can be identified to be E1 fault, please solve it according to the solution of E1.</li> </ol> </li> <li>· When the refrigerator is connecting with adapter and E3 appearing               <ol style="list-style-type: none"> <li>① Please adjust battery protection level to the middle level or low level.</li> <li>② If it doesn't work, please replace a new adapter.</li> </ol> </li> </ul>
E4	Low Rotational Speed of Compressor	<p>Please adjust input voltage and repower it.</p>
E5	Overheating of Controller Chip	<p>Please power off for 5 minutes and check if the overheating is caused by the bad ventilation around compressor.</p>
E6	Open or short Circult of NTC	<p>Please reboot and try, if it keeps showing E6 please contact our customer service team : <a href="mailto:service@bougerv.com">service@bougerv.com</a> and we will repair it for you free of charge.</p>

## 8 Cleaning and Storage

### ▪ Cleaning

- Unplug the device first to avoid electric shock.
- Use a wet cloth to clean the device and dry it.
- Remove the cover and drain from the hole at the bottom of the device.
- Do not soak the device in water and do not wash it directly.
- Do not use abrasive cleaning agents as these can damage the device.

### ▪ Storage

If the device will not be in use for a long time, please follow the steps:

- Turn off the power and remove the plug.
- Remove all the items stored in the device.
- Remove the cover and drain from the hole, wipe off excess water with a soft rag.
- Leave the lid slightly open to prevent odors from forming.
- Put the device in a cool and dry place.

### ▪ Defrosting

Humidity can form frost in the interior of the cooling device or on the evaporator, which will affect the cooling performance. Defrost the device regularly to avoid this.

- Switch off the device.
- Take out the contents of the device.
- Keep the lid open.
- Remove the cover and drain from the hole.
- Wipe off the defrosted water.



**Never use hard or sharp tools to remove ice or to loosen objects which have frozen in place.**



## 9 FAQ

### **Q1: What is a Dual-system outdoor refrigerator?**

A1: Compared to other Dual-zone refrigerators, has an additional system with IceDrive™, which quickly freeze to ultra-low-temp, and is always below 0.4°F. while the other is in normal mode, both zones can be kept fridge and freezer.

### **Q2: What's the outside temperature range this can be safely used?**

A2: Temperature range: 50°F~110°F (10~43°C) .

### **Q3: What is the adjustable temperature range of the refrigerator?**

A3: In IceDrive™ mode, L zone temp range: 37°F~68°F. S zone temp always below 0 °F(Non-adjustable). In normal mode, Dual zone temp range: -4°F~68°F.

### **Q4: Does the fridge have to be plugged in for use?**

A4: Yes, it must.

### **Q5: How long does it take to cool down to the lowest temperature?**

A5: The cooling rate depends on whether the refrigerator is empty or loaded. If is empty, it usually :

Aspen30:

Under an Ambient temperature of 25°C:

The temperature dropped to -18°C (-0.4°F), it takes 29min for S Zone and 46min for L Zone, and 58min for the whole machine.

Aspen40:

Under an Ambient temperature of 25°C:

The temperature dropped to -18°C (-0.4°F), it takes 29min for S Zone and 47min for L Zone, and 69min for the whole machine.

Aspen50:

Under an Ambient temperature of 25°C:

The temperature dropped to -18°C (-0.4°F), it takes 29min for S Zone and 50min for L Zone, and 67min for the whole machine.

**Q6: How long can the temperature be maintained after a power failure?**

A6:

Aspen30:

Under an Ambient temperature of 25°C:

From -20°C to 20°C(-4°F ~ 68°F) , it takes 314min for S Zone and 311min for L Zone.

Aspen40:

Under an Ambient temperature of 25°C:

From -20°C to 20°C(-4°F ~ 68°F) , it takes 317min for S Zone and 303min for L Zone.

Aspen50:

Under an Ambient temperature of 25°C:

From -20°C to 20°C(-4°F ~ 68°F) , it takes 313min for S Zone and 310min for L Zone.

**Q7: How long can this continuously be run safely?**

A7: As long as the power supply is maintained, our portable refrigerators can work 24 hours, just like home refrigerators. we will give you the corresponding solution according to your problem.

**Q8: Will it keeps ice cream frozen?**

A8: Yes. By setting the temperature below -0.4°F you can keep the ice cream frozen In IceDrive™ mode.

**Q9: Can I get a new replacement if the parts of my refrigerator malfunction?**

A9: Sure, we provide a 2-year warranty.

**Q10: How can I register for the warranty on my refrigerator?**

A10: You can contact our email "service@bougevrv.com / bougevrv@gmail.com, and we will give you the corresponding solution according to your problem.

# 10 Warranty and Maintenance

## Warranty

BougeRV PORTABLE CAR REFRIGERATOR comes with a 2-year warranty that commences from the date of purchase on BougeRV Amazon Store or BougeRV Official Website, except the following situations:

- Contrived damage.
- Damage caused by force majeure such as earthquake, conflagration, etc.
- Damage from inappropriate use or violating this instruction.
- Damage or malfunction caused by disassembling.

✔ 24-month limited warranty

🔗 Lifetime technical support

## Customer Service

If there is any problem with the operation or use of the product, please feel free to contact us via:

■ Amazon:

✉ service@bougerv.com

☎ **+1 699 232 7427 (CHN)**

9AM-6PM (UTC+8) Monday-Friday

**+1 408 656 8402 (US)**

9AM-6PM (PT) Monday-Friday

■ BougeRV Website:

✉ support@bougerv.com

☎ **+1 408 429 4149 (CHN)**

9AM-6PM (UTC+8) Monday-Friday

**+1 408 656 8402 (US)**

9AM-6PM (PT) Monday-Friday

## VIP Service & Extra 1-year Warranty

1. Search "QR Code" on your FB
2. Scan the QR Code beside
3. Join "BougeRV Car Refrigerator Club"
4. You become a VIP and get a 3-year warranty



## 11 Specification

Model	ASPEN30	ASPEN40	ASPEN50
Rated Voltage	DC12/24V or AC100~240V (using dedicated adapter)		
Rated Power	60W		
Capacity	32L/34QT	41L/43QT	50L/53QT
Noise	≤ 45db		
Temperature Range	-20~+20°C (-4~+68°F)		
Climate Category	T/ST/N/SN		
Dimensions(L*W*H)	710x370x423mm	710x370x498mm	710x370x573mm
Net Weight	16.8kg	17.9kg	18.9kg

\*Due to product improvement, the technical information might be different from the actual information, please refer to the rating label on the product.

### ▪ Disposal:

Place the packaging material in the appropriate recycling waste bins wherever possible.



If you want to eventually dispose of the product, ask your local recycling center or specialty distributor for details on how to do so in accordance with the applicable disposal regulations.

Explore more from BougeRV



@bougevrv



@Bougevrvofficial



BougeRV