

SKU: IRK027

Hitch Ski Rack

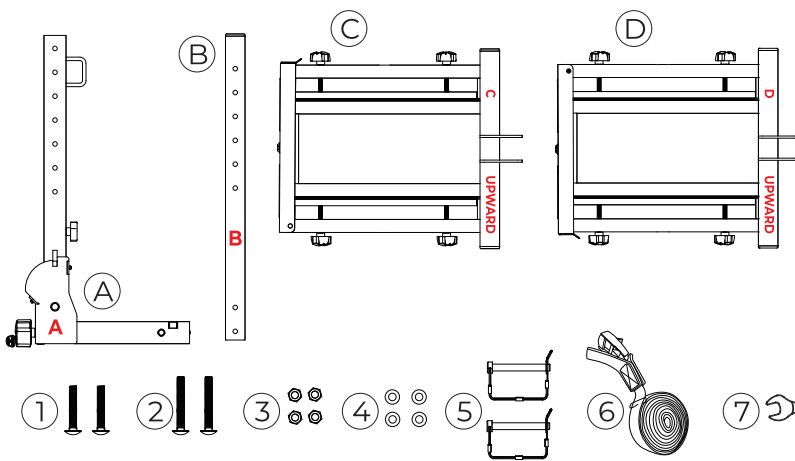
Notes Before Using:

1. If this product is missing parts or defective, please contact us for free part replacements via service@bougeRV.com or +1 669 232 7427 (Sunday to Thursday 18:00 PM-24:00 PM PST) (Please attach Amazon order ID and key code if the key is missing).
2. The weight of the cargo must not exceed the maximum weight limit of 165 lbs(75kg).
3. Check the mounting bolts before use every time and drive under 120km/h roof ski rack (75mph) for security.

Warranty

1. BougeRV hitch ski rack carry a 12-month warranty. If there are any problems with the product, please contact us via service@bougeRV.com or +1 669 232 7427.
2. This warranty doesn't cover other products sold by other channels except for the BougeRV Amazon store.
3. This warranty does not warrant any conditions that are beyond BougeRV's control which include but are not limited to the following: excessive loading, improper assembly, theft, day-to-day wear and tear, damage due to unauthorized repairs or any use not consistent with the user guide.

Accessory Kit

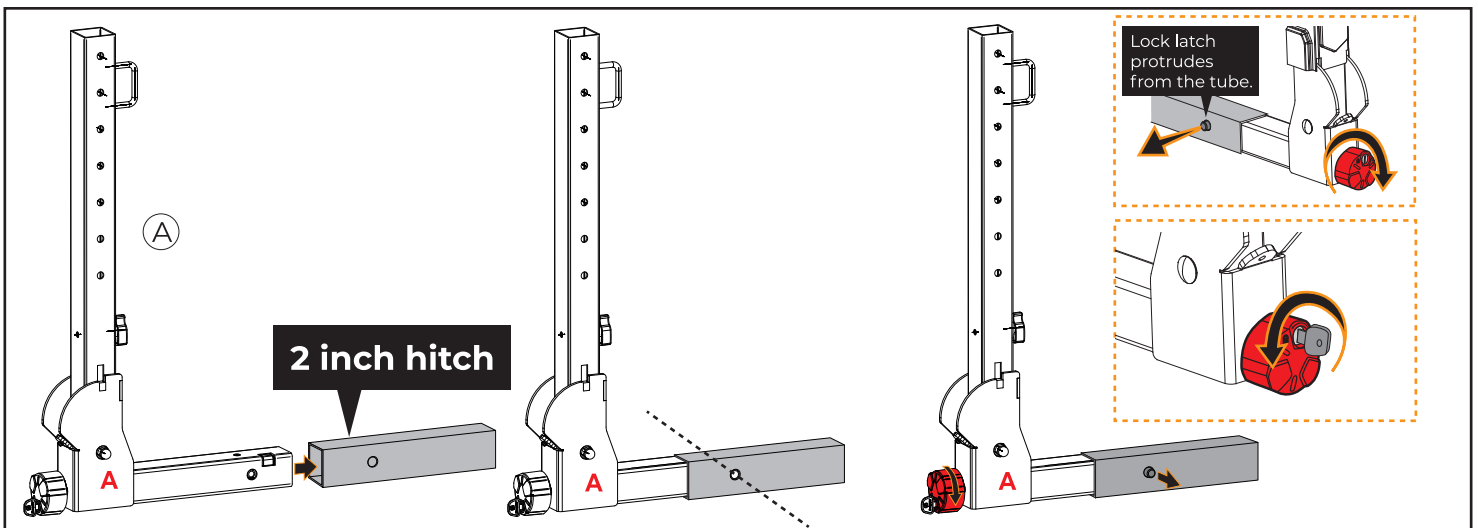


(A)	Bottom Support Tube	*1
(B)	Upper Support Tube	*1
(C)	Bottom Main Rack	*1
(D)	Upper Main Rack	*1
①	Carriage Screw (M10*P1.5*L70)	*2
②	Carriage Screw (M10*P1.5*L80)	*2
③	Jam Nut (M10)	*4
④	Flat Washer (M10)	*4
⑤	D-Shape Safety Latch $\varnothing 10$	*2
⑥	Strap	*1
⑦	Wrench	*1
⑧	Keys	*2
⑨	Installation instruction	*1

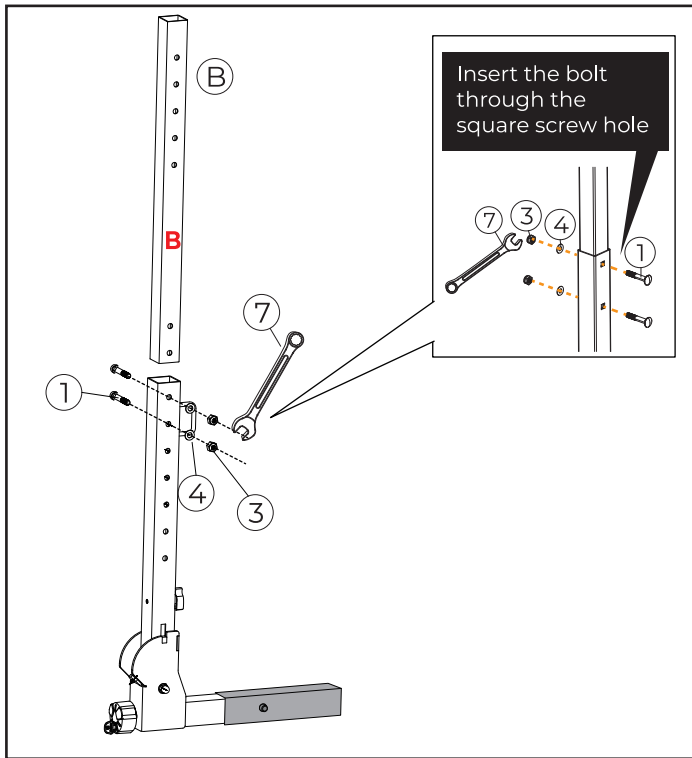
ASSEMBLY

1. **Insert the bottom support tube into the hitch receiver.** (Using Component (A))

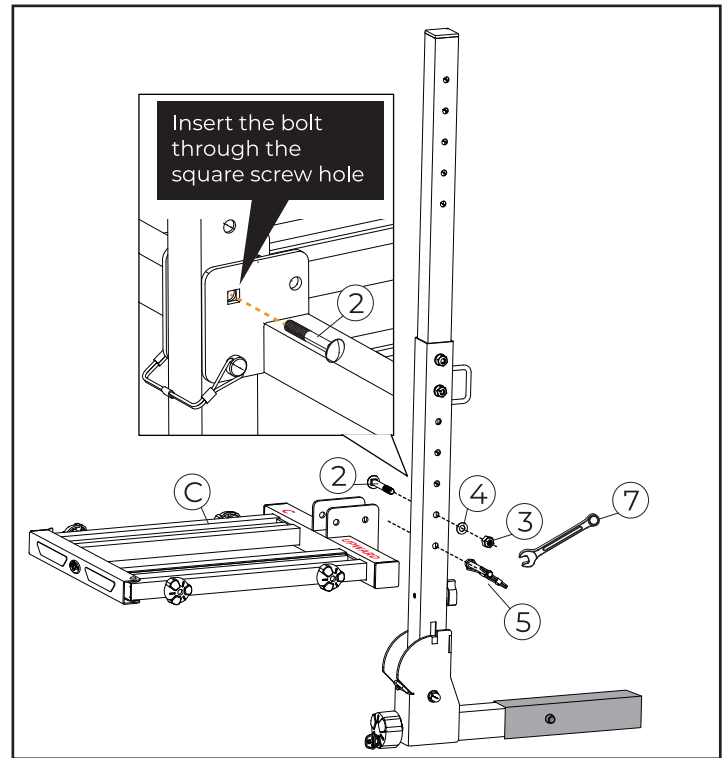
Turn the red knob clockwise to extend the lock latch until it stops (Do not over-tighten). And then turn the key counterclockwise to lock the rack.



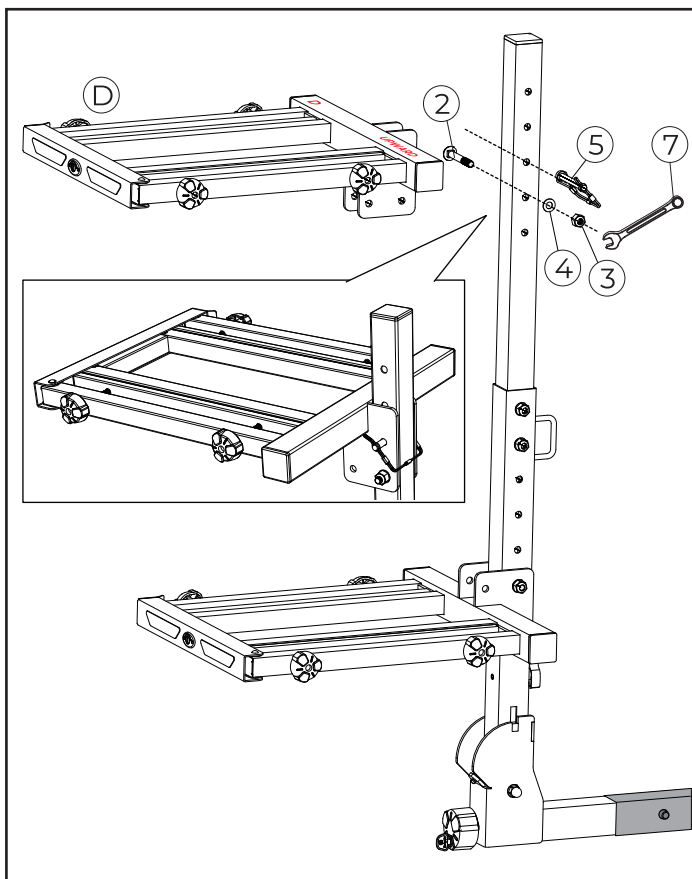
2. **Insert the upper support tube into the bottom support tube.** By using 2 hexagon socket head screws and 2 flat washers and 2 jam nuts and tighten them. (Using Component (B)/(1)/(3)/(4)/(7))



3. **Assemble the bottom main rack.** "UPWARD" sign faces upward. By using 1 carriage screw and 1 flat washer and 1 jam nut to connect them (Use the screw hole according to your need and leave the last screw hole for D-shape latch). And then insert the D-shape safety latch for folding limit position. (Using Component (C)/(2)/(3)/(4)/(5)/(7))

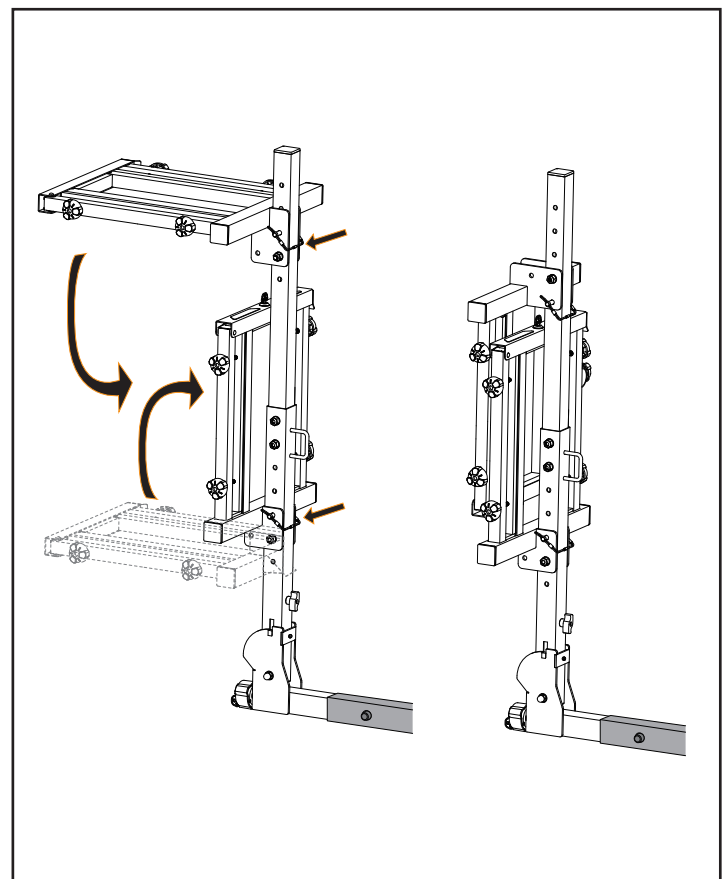


4. **Assemble the upper main rack.** "UPWARD" sign faces upward. By using 1 carriage screw and 1 flat washer and 1 jam nut to connect them (Use the screw hole according to your need and leave the last screw hole for D-shape latch). And then insert the D-shape safety latch for folding limit position. (Using Component (D)/(2)/(3)/(4)/(5)/(7))



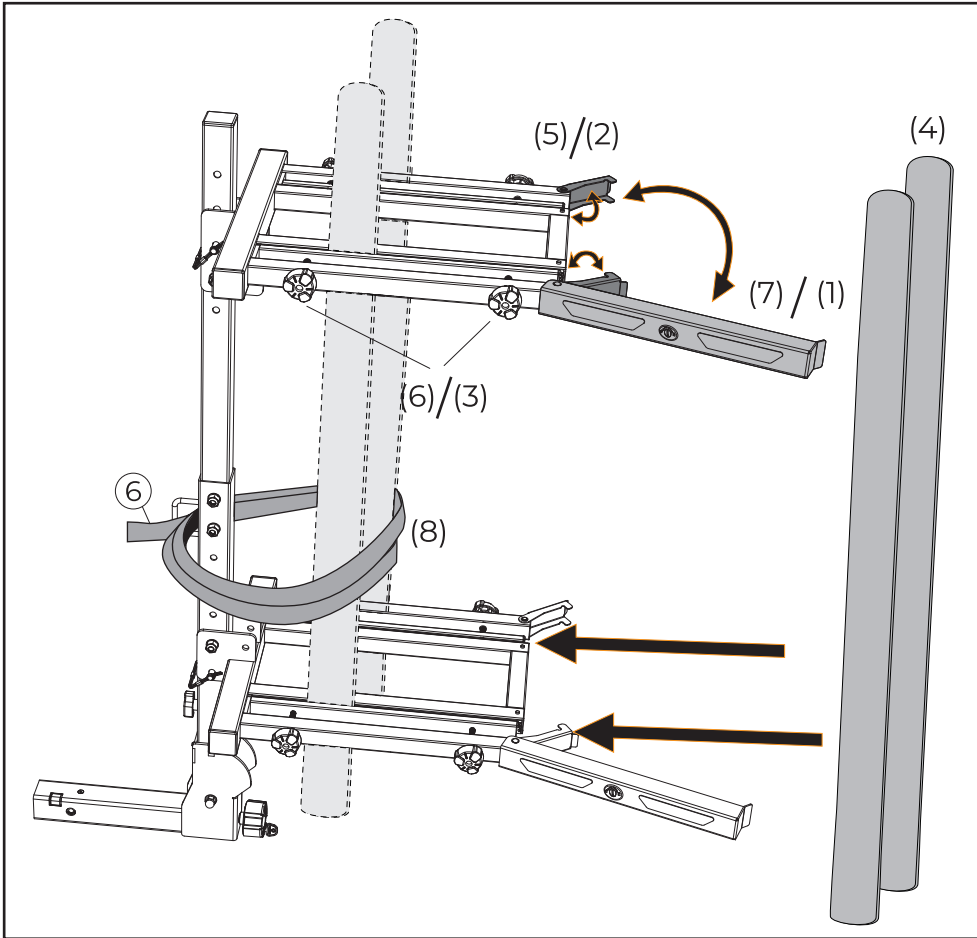
5. **Fold down the rack without ski boards.** Take out the D-shape latch first and fold down the main rack, and then insert the D-shape latch when it's settled. Same steps for the upper/ bottom main racks.

NOTE: The order of this step is important. Bottom main rack needs to be folded up first, and then fold the upper main rack down.



INSTALLATION

1. Loading Ski Boards. (Using Component ⑥)



(1) Use the key to unlock and open the outer cover.

(2) Open the inner cover.

(3) Loosen the thumb knobs aside.

(4) Load the ski boards.

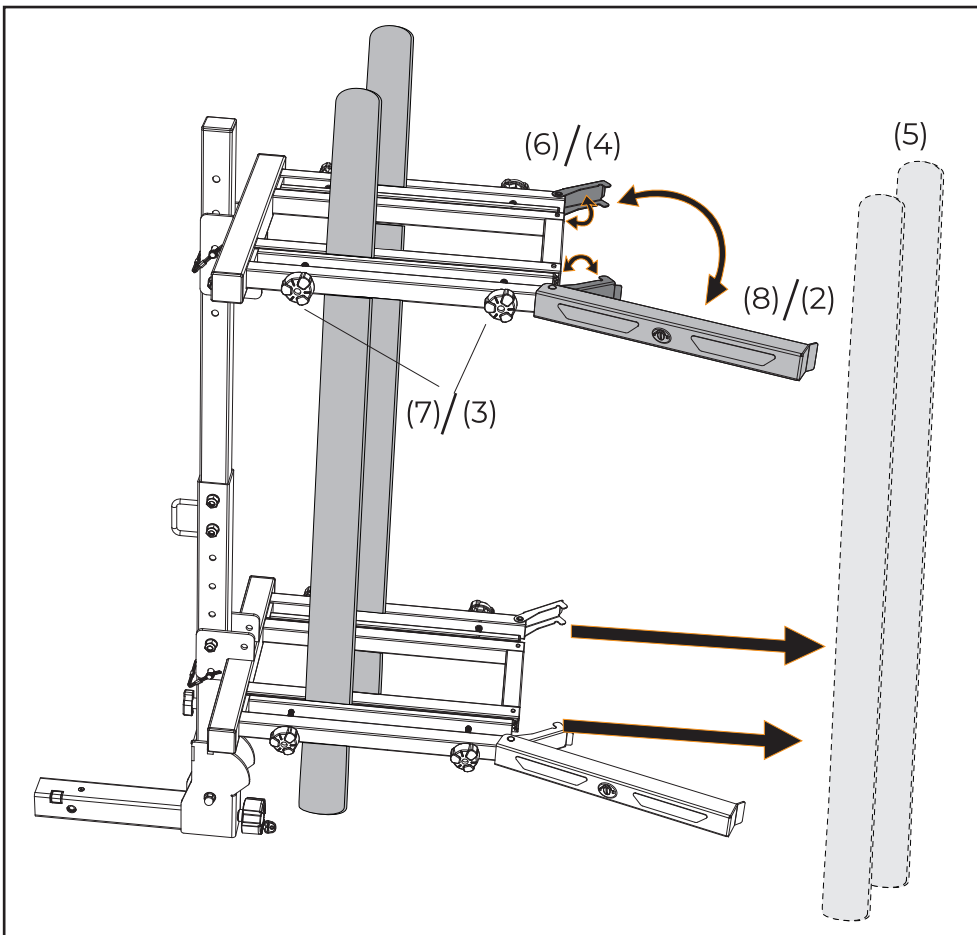
(5) Close the inner cover.

(6) Tighten the thumb knob.

(7) Lock the outer cover.

(8) After loading the boards, use the strap to loop them with the rack.

2. Remove Ski Boards..



(1) Loosen the straps.

(2) Use the key to unlock the outer cover

(3) Loosen the knob.

(4) Open the inner cover.

(5) Take out the boards.

(6) Close the inner cover.

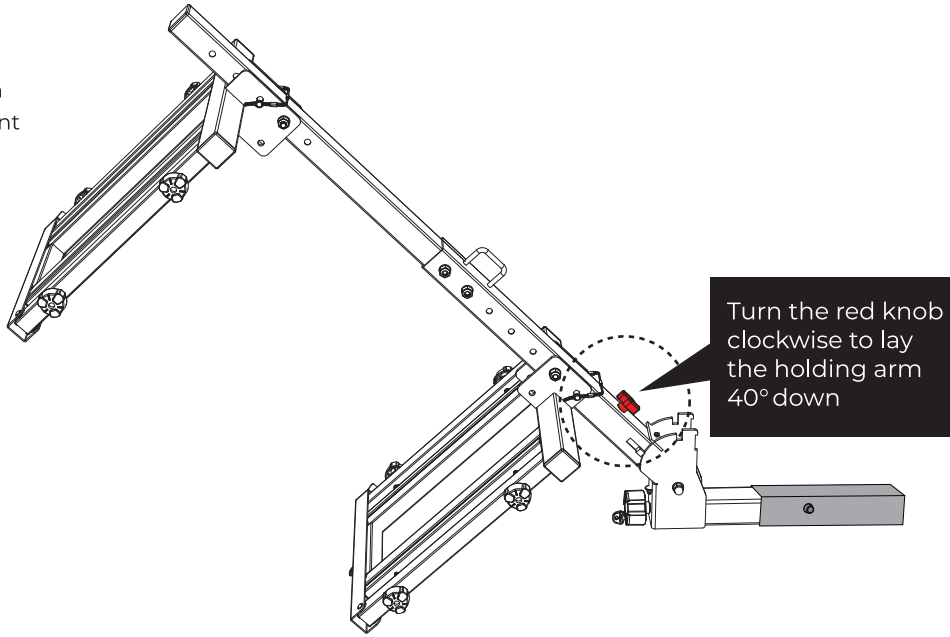
(7) Tighten the knob.

(8) Lock the outer cover.

3. Tilt-Away Feature for Trunk Access

Warning

Hold the ski rack when placing down to prevent collisions.



VIP Service & Extra 24-month Warranty

· Search "BougeRV Cargo Club" on your FB or scan the QR code to join us. Become a VIP and get a 36-month warranty and the privilege to test BougeRV cargo-related new arrivals.



Installation video

· Search "BougeRV" on your YT or Scan below QR code to access to BougeRV YT channel and search "hitch ski rack" to see the installation video.

