

SKU: IRK024 / IRK025

Ski & Snowboard Rack

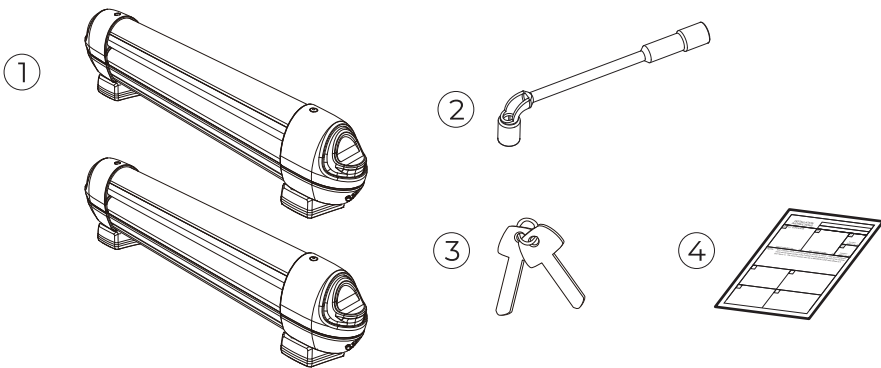
## Notes Before Using:

1. If this product is missing parts or defective, please contact us for free part replacements via [service@bougeRV.com](mailto:service@bougeRV.com) or +1 669 232 7427(Sunday to Thursday 18:00 PM-24:00 PM PST) (Please attach Amazon order ID and key code if the key is missing).
2. The weight of the cargo must not exceed the maximum weight limit of 165 lbs(75kg).
3. Check the mounting bolts before use every time and drive under 120km/h (75mph) for security.

## Warranty

1. BougeRV roof ski rack carry a 12-month warranty. If there are any problems with the product, please contact us via [service@bougeRV.com](mailto:service@bougeRV.com) or +1 669 232 7427.
2. This warranty doesn't cover other products sold by other channels except for the BougeRV Amazon store.
3. This warranty does not warrant any conditions that are beyond BougeRV's control which include but are not limited to the following: excessive loading, improper assembly, theft, day-to-day wear and tear, damage due to unauthorized repairs or any use not consistent with the user guide.

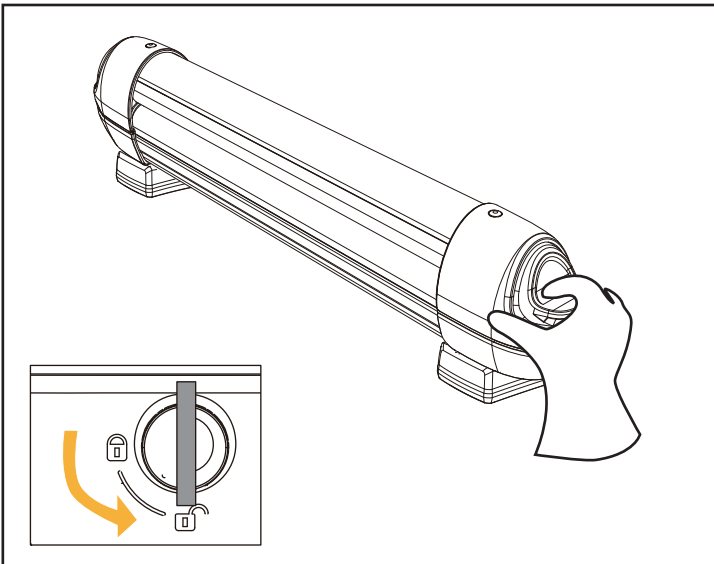
## ACCESSORY KIT



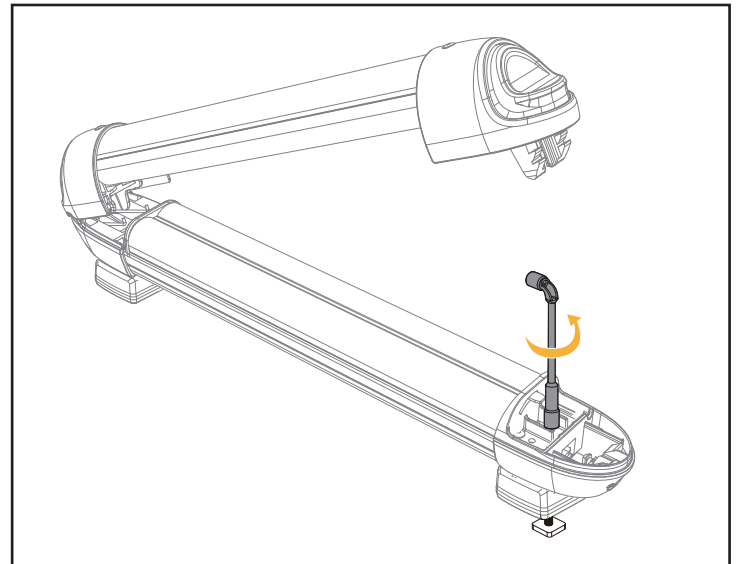
①	Ski Main Rack	*2
②	Socket Wrench	*1
③	Keys	*2
④	Installation Instruction	*1

## ASSEMBLY

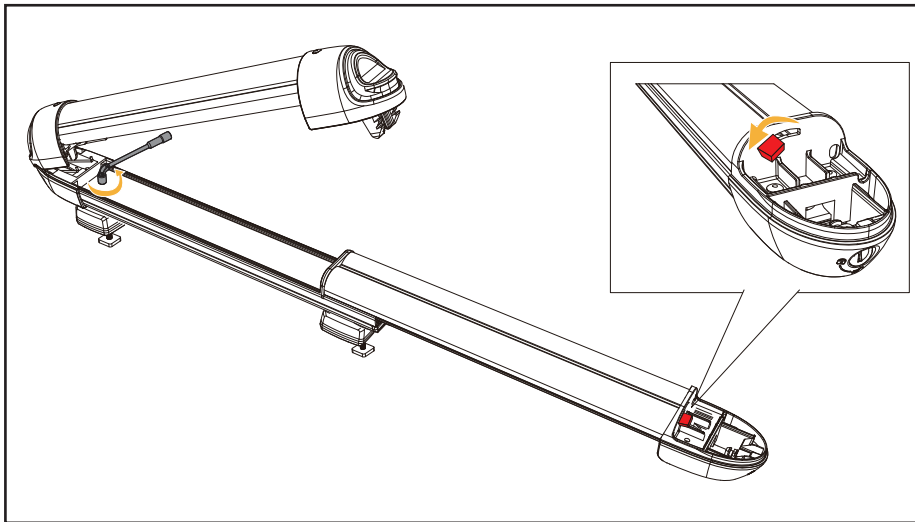
1. Unlock the rack with the key. Hold the cover when pressing down the button to open the rack.



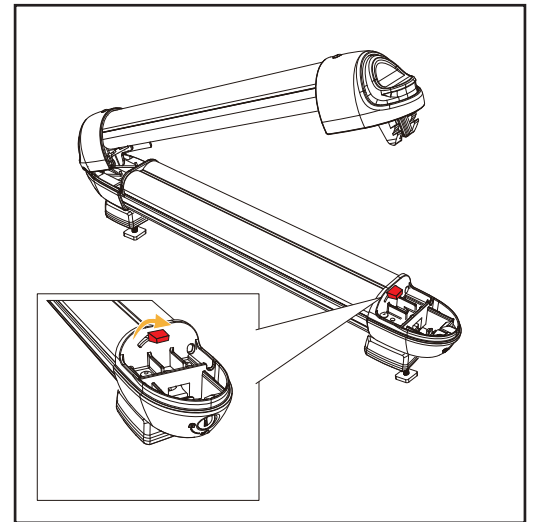
2. Use a socket wrench to loosen the T-slot counterclockwise. (be careful not to make it fall off)



3. Push the red button slightly to the left. Pull out the rubber rack and follow step 2 to loosen the T-slot.

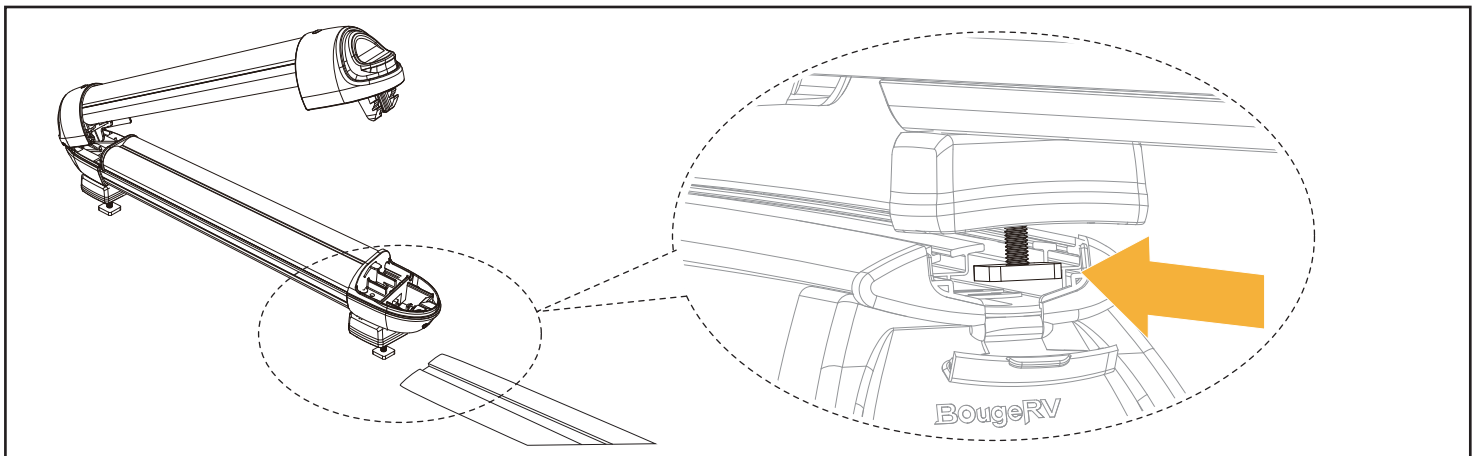


4. Push back the rubber rack and the red button into the original position. The assembly is completed.



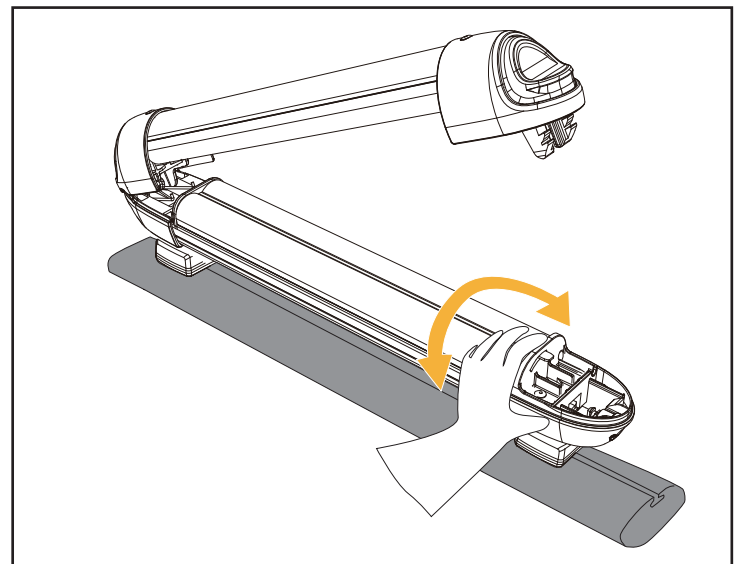
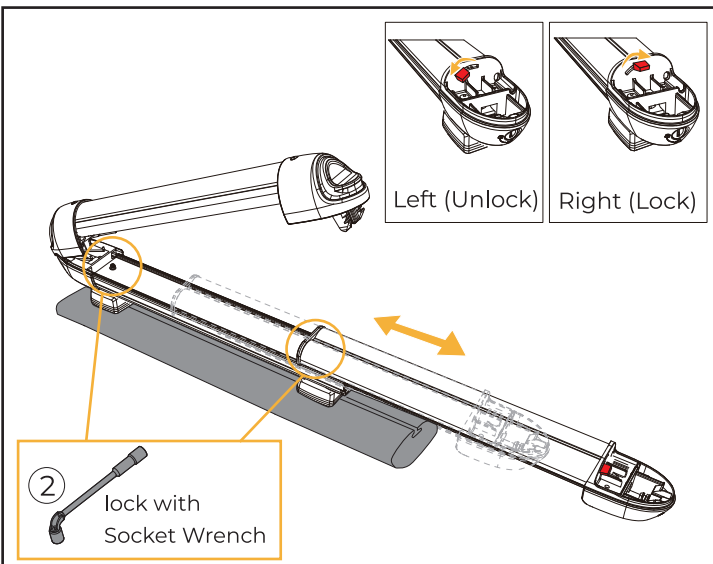
## INSTALLATION

1. Put the rack in the T-slot crossbar and push it into place, keeping the two ski racks aligned parallel.

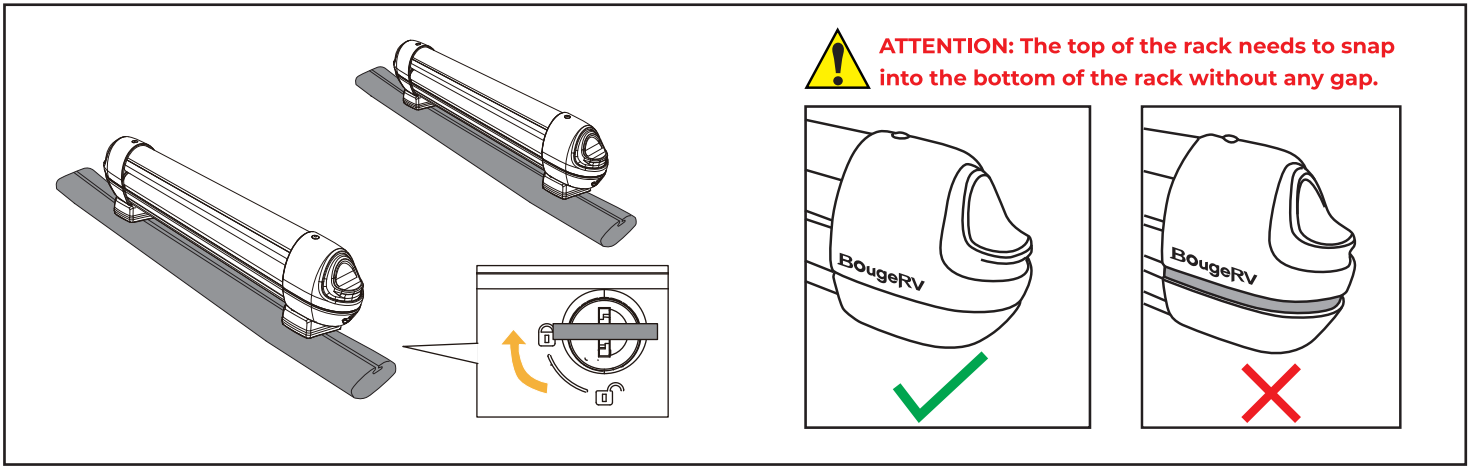


2. Push the red button to the left gently. Pull out the rubber rack and tighten the bolt with the socket wrench of the mounting support to grab the crossbar firmly. Push back the rubber rack and the red button into the original position.

3. Rock the ski rack to see if it's secured to the cross bar firmly.

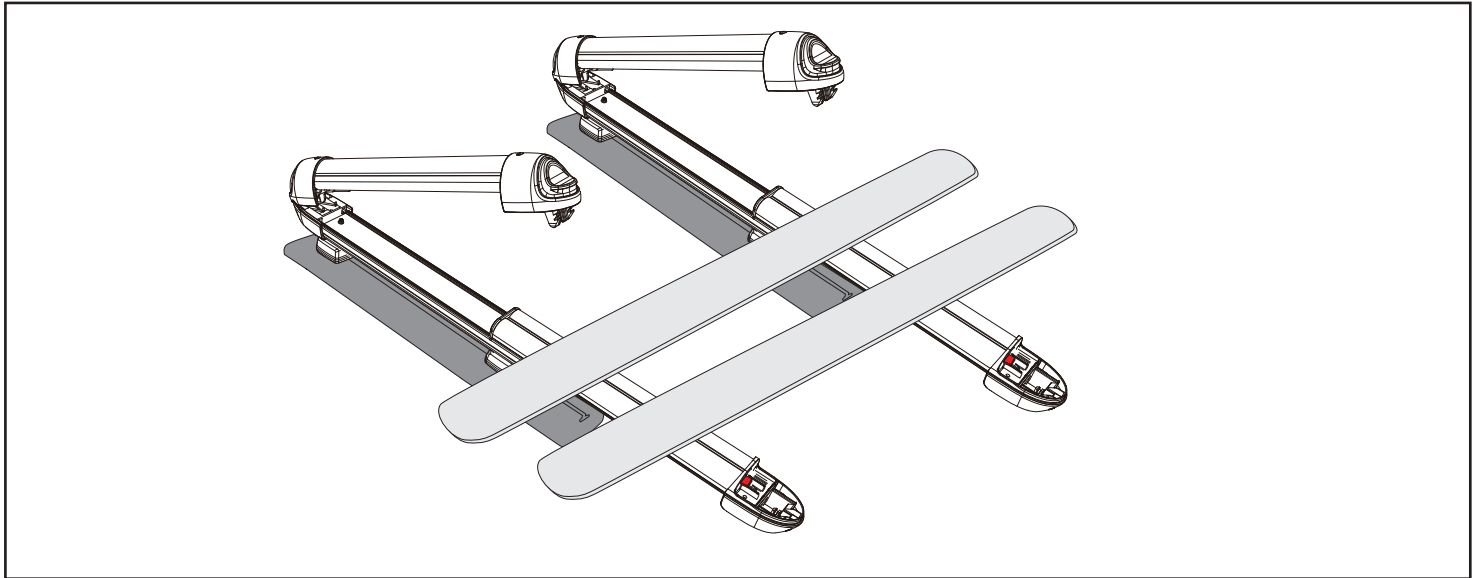


5. Lock the rack. The installation is completed.

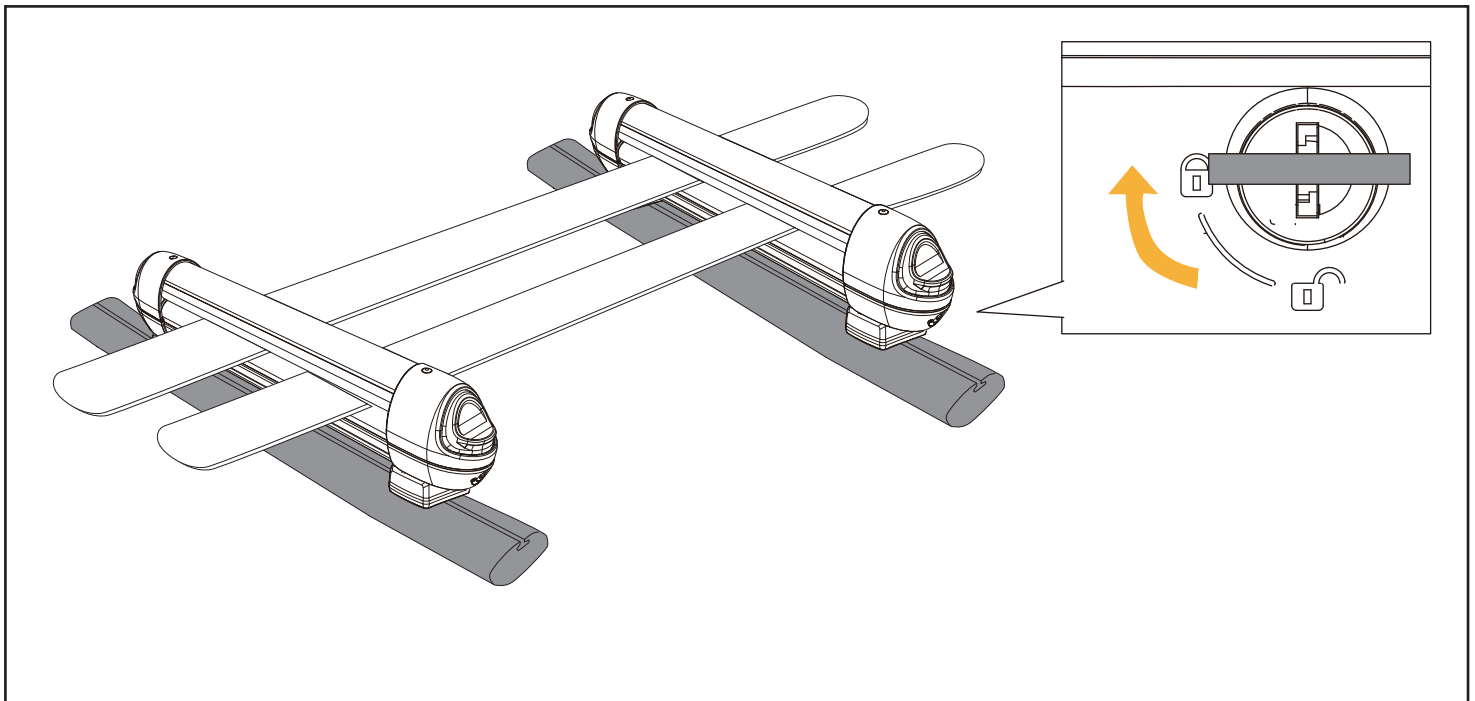


## LOADING

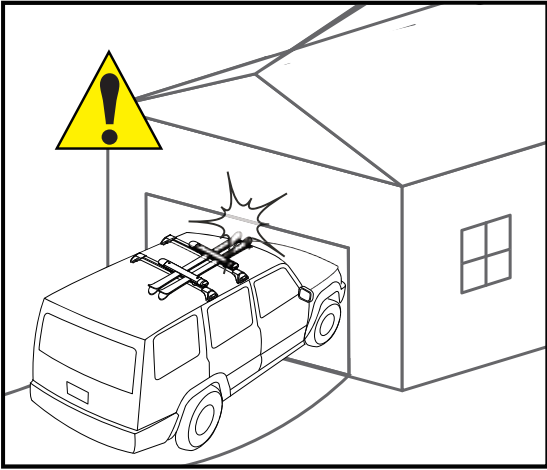
1. Unlock the rack and pull out the rubber rack. Put the ski board on the rack.



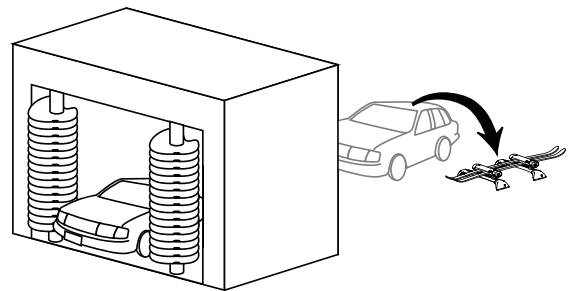
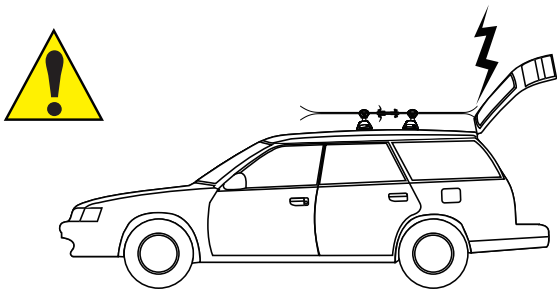
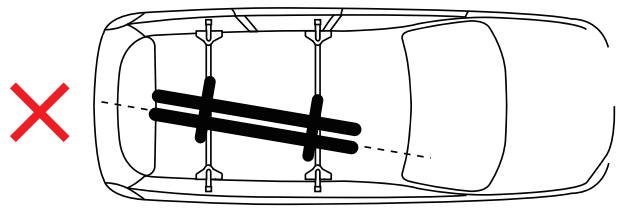
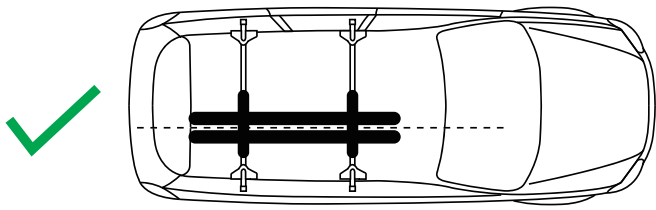
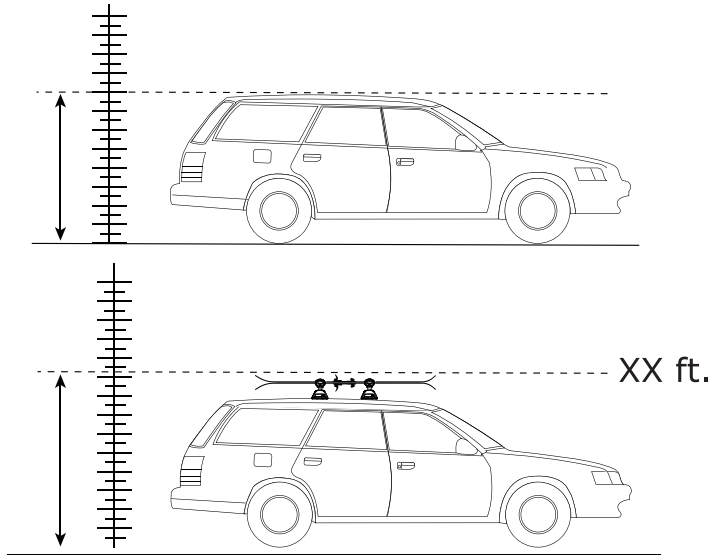
2. Push back the rubber rack and cover the top of the rack and lock it. The loading is completed.



## SAFE TIPS



Pay attention to the height limit!



## VIP Service & Extra 24-month Warranty

1. Search "BougeRV Cargo Club" on your FB or scan the QR code beside.
2. Join "BougeRV Cargo Club".
3. Become a VIP and get a 36-month warranty and the privilege to test BougeRV cargo-related new arrivals.

